

PLEASE CHECK WWW.MOLEX.COM FOR LATEST PART INFORMATION

Part Number: [62100-7400](#)
Status: **Active**
Description: Removal Tool for 12.5 Gbps Coplanar

Documents:

[RoHS Certificate of Compliance \(PDF\)](#)

General

Product Family	Application Tooling
Series	T3002
Function	Extraction
Geographic Area	Global
Level of Automation	Manual
More Detailed Tech Information	applicationtooling@molex.com
Product Name	EdgeLine®
Survey	www.molex.com//review/apptool_survey.html
Tool Type	Handtool
UPC	883906384128

Material Info

Reference - Drawing Numbers

Application Tooling Documents	ATS-621007400
-------------------------------	---------------

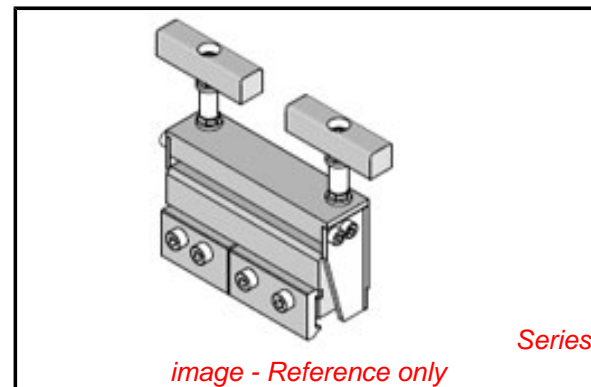


image - Reference only

EU RoHS

China RoHS

Compliance Status

Not Reviewed

REACH SVHC

Not Reviewed

Low-Halogen Status

Not Reviewed

Need more information on product environmental compliance?

Email productcompliance@molex.com
 For a multiple part number RoHS Certificate of Compliance, [click here](#)

Please visit the [Contact Us](#) section for any non-product compliance questions.

Search Parts in this Series

[T3002Series](#)

Use With

[76291](#) 0.75mm Pitch EdgeLine® 12.5 Gbps CoPlanar Connector 226 Circuits Assemblies

Application Tooling

FAQ

Description

Product #

0.75mm Pitch EdgeLine® 12.5 Gbps CoPlanar Connector, 226 Circuits	0762910226
---	------------