

DWG. NO. SD-68131-003

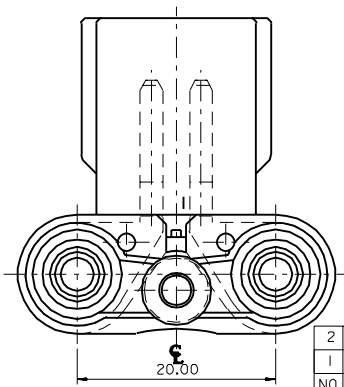
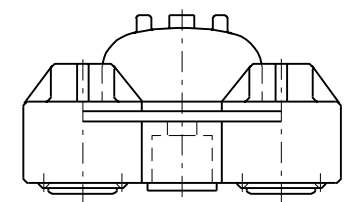
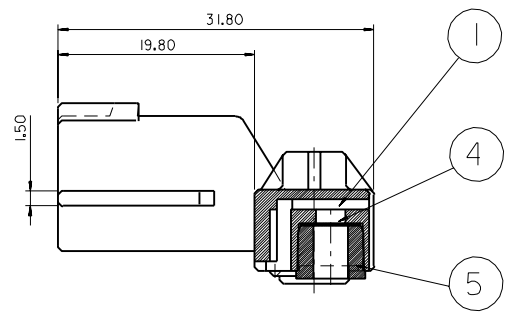
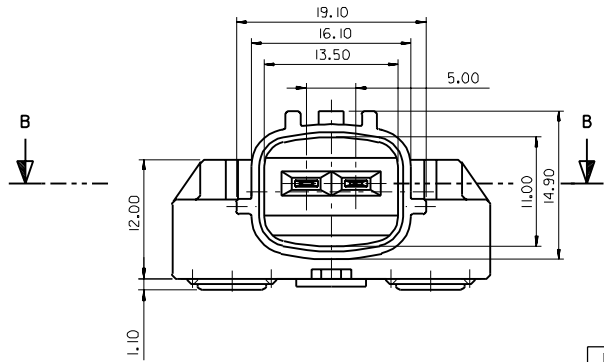
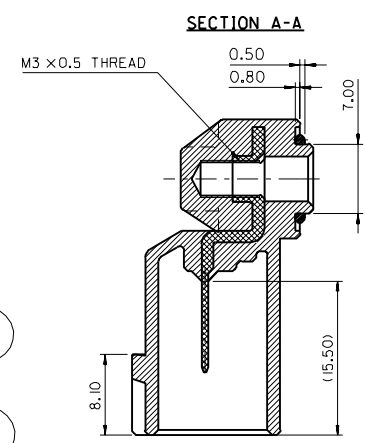
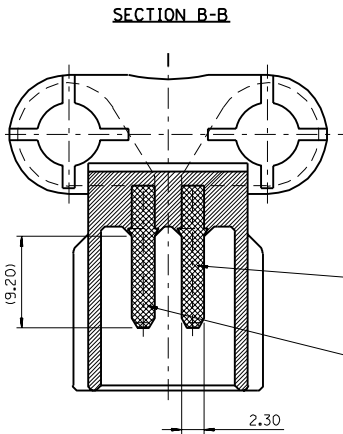
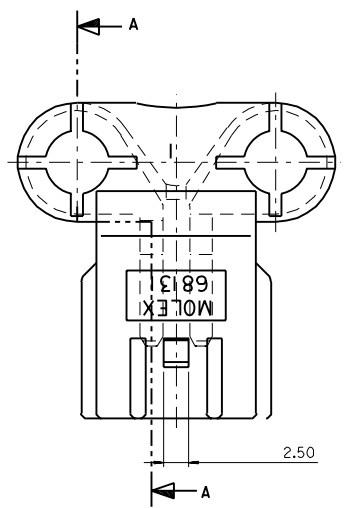
SIMILAR ITEM

PROJECT NO.

C

B

DO NOT SCALE DRAWING  
DIMENSION IN METRIC



2	681310230	68131-0230	WHITE
1	681310231	68131-0231	BLACK
NO.	MATERIAL NO.	ENG. NO.	FINISH

NO.	P/NAME	P/N.O.	Q'TY		
1	HEADER 2P	68131-0270	1	30% GLASS FILLED POLYESTER	WHITE
	HEADER 2P	68131-0271	1	30% GLASS FILLED POLYESTER	BLACK
2	PIN (LEFT)	35687-2501	1	BRASS	TIN
3	PIN (RIGHT)	35686-2501	1	BRASS	TIN
4	GASKET	35940-0023	1	PAPER(FIBER ALLOY)	WHITE
5	BOTTOM SEAL	35903-0107	1	OIL SILICONE	BLACK

NOTE  
 1. APPLICATION: .090 FEMALE HOUSING ASS'Y 2P(35825-0211)  
 .090 SEALED FEMALE TER'L(35407-6702 S)  
 (35407-6902 L)  
 2. PRODUCT SPECIFICATION: 68131-0291  
 3. MATERIAL & FINISH: SEE TABLE

Release to manufacturing  
 EC NO. KOR 2001-0022  
 DRWN: HCRHO 010314  
 CHK: B.K.CHOI  
 APPR: C.W.LEE

QUALITY SYMBOLS  
 MAJOR =  
 CRITICAL =  
 DESCRIPTION  
 REV

GENERAL TOLERANCES:  
(UNLESS SPECIFIED)

	mm	INCH
4 PLACES	±0.	±.
3 PLACES	±0.	±.
2 PLACES	±0.3	±.
1 PLACE	±0.3	±.
ANGULAR: ±   °		

DRAFT WHERE APPLICABLE MUST  
REMAIN WITHIN DIMENSIONS

SCALE 2:1  
 DESIGN UNITS  
 mm  INCH  
 DRAWN BY & DATE  
 '98.10.28 H.C.RHO  
 CHECKED BY & DATE  
 '98.10.28 B.K.CHOI  
 APPROVED BY & DATE  
 '98.10.28 C.W.LEE  
 CAD FILENAME

DIMENSIONS:  
 mm  INCH  
 mm ONLY  
 SHT REV  
 REVISIONS  
 TITLE: FILTER HORN HEADER  
 ASS'Y 2P(Ø100)  
 MOLEX INCORPORATED  
 KOREA  
 MATERIAL NO. SEE TABLE  
 DRAWING NO. SD-68131-003  
 SHEET NO. 1 OF 1  
 SIZE B