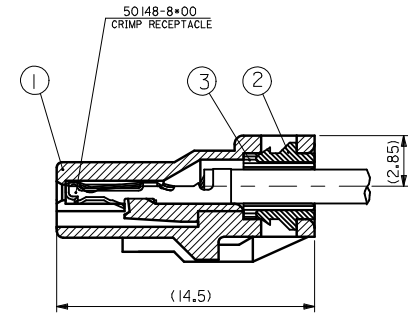
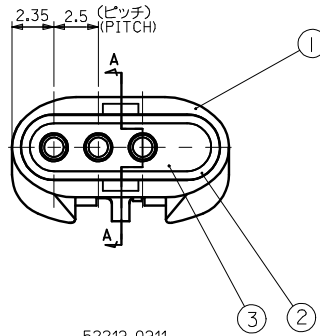
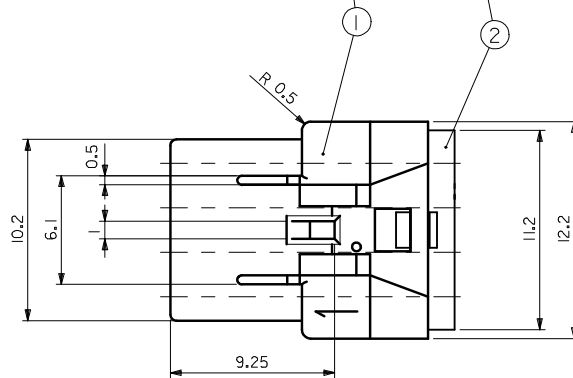


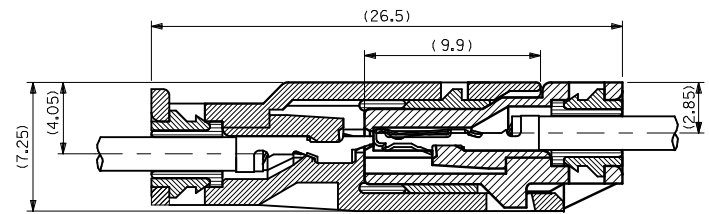
52213-041\*



端子装着時の断面 A-A  
SECT.A-A TERM.ASSEMBLY DRAWING



52213-0311



嵌合状態図  
FULLY MATED CONDITION

注記  
NOTE

- 適合端子: 50148-8\*00  
APPLICABLE TERMINAL: 50148-8\*00
- 嵌合相手: 52266-xx1\*  
MATES WITH: 52266-xx1\*
- 製品仕様書: PS-52213-003  
PRODUCT SPECIFICATION: PS-52213-003
- 取扱説明書: AS-52213-001  
APPLICATION SPECIFICATION: AS-52213-001

|            |            |   |
|------------|------------|---|
| 茶<br>BROWN | 52213-0417 | 4 |
| 青<br>BLUE  | 52213-0414 | 4 |
| 黒<br>BLACK | 52213-0411 | 4 |
| 白<br>WHITE | 52213-0410 | 4 |
| 黒<br>BLACK | 52213-0311 | 3 |

|   |                  |                                   |   |
|---|------------------|-----------------------------------|---|
| シリコンゴム<br>SILICONE                      | 青<br>BLUE        | ワイヤエンドシール<br>WIRE END SEAL        | ③ |
| ポリエステル (15%G.F.)<br>POLYESTER (15%G.F.) | 灰<br>GRAY        | CAP                               | ② |
| ポリエステル (15%G.F.)<br>POLYESTER (15%G.F.) | 表参照<br>SEE CHART | レセプタクルハウジング<br>RECEPTACLE HOUSING | ① |
| 材料<br>MATERIAL                          | 色<br>COLOR       | 名称<br>TITLE                       |   |
| 構成部品<br>COMPONENTS                      |                  |                                   |   |

|  |                 |  |                            |                              |   |                        |
|--|-----------------|--|----------------------------|------------------------------|---|------------------------|
| REVISED<br>EC NO: JTR2017-0006<br>DRAWN: YFUSHIMI 2016/08/04<br>CHKD: TAITO 2016/08/04<br>APPR: MAYAMOTO 2016/08/16<br>A1<br>REV         | QUALITY SYMBOLS | GENERAL TOLERANCES (UNLESS SPECIFIED)                      | DIMENSION STYLE<br>MM ONLY | SCALE<br>5:1                 | DESIGN UNITS<br>METRIC  | THIRD ANGLE PROJECTION |
|  | ▽=0             | 10 UNDER ±0.2  | DRAWN BY<br>S. KATAOKA     | DATE<br>2006/09/11           | TITLE<br>2.5 MINI WATERPROOF<br>CONN REC HSG ASSY<br>(3 AND 4 CKT.) |                        |
|  | ▽=0             | 10 OVER 30 UNDER ±0.25                                     | CHECKED BY<br>K. TOYODA    | DATE<br>2006/09/11           | molex   |                        |
|  | ▽=0             | 30 OVER ±0.3   | APPROVED BY<br>N. UKITA    | DATE<br>2006/09/11           |   |                        |
| ANGULAR ±3 °   |                 | DRAFT WHERE APPLICABLE<br>MUST REMAIN<br>WITHIN DIMENSIONS | MATERIAL NO.<br>SEE CHART  | DOCUMENT NO.<br>SD-52213-001 | SHEET NO.<br>1 OF 1   |                        |
| SIZE A2 THIS DRAWING CONTAINS INFORMATION THAT IS PROPRIETARY TO MOLEX<br>INCORPORATED AND SHOULD NOT BE USED WITHOUT WRITTEN PERMISSION |                 |  |                            |                              |   |                        |