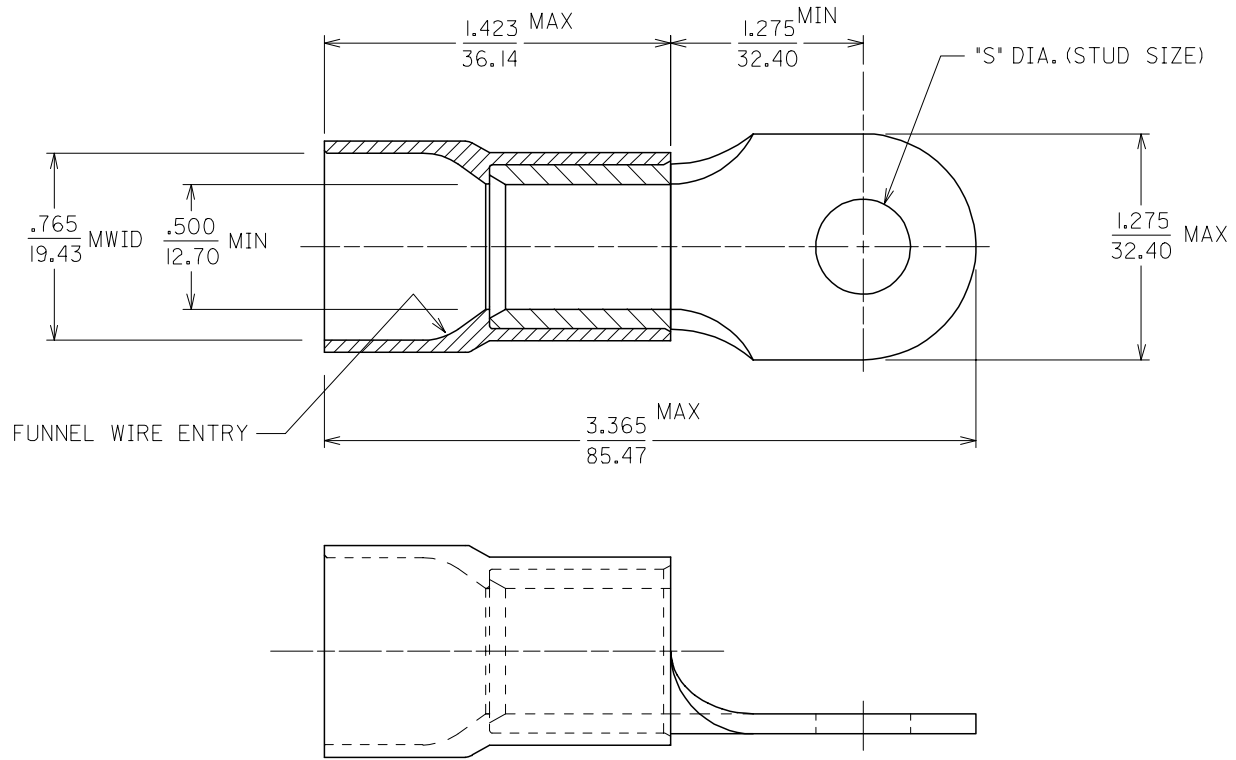


MATERIAL NUMBER	ALTERNATE NUMBER	STUD SIZES	"S"
190670114	J-987-12	1/2	.515
190670115	J-987-34	3/4	.781
190670116	J-987-58	5/8	.656



NOTES:

1. MATERIAL: COPPER .083 THICK
PLATING: ELECTROPLATE TIN
2. INSULATION: YELLOW NYLON 6/6
3. MWID=MAXIMUM WIRE INSULATION DIA.
4. ALL DIMENSIONS IN INCHES/(MM).
5. ASSEMBLY IS ROHS COMPLIANT.

CHG TITLE - ADDED ROHS	2007/03/14	DRW: JMACNEIL	2007/03/15
EC NO: ETC2007-0336		CHKD: JMACNEIL	
REV	DESCRIPTION		
B			

QUALITY SYMBOLS
▽=0
▽=0

GENERAL TOLERANCES (UNLESS SPECIFIED)	
mm	INCH
4 PLACES ± .005	± .0005
3 PLACES ± .010	± .0010
2 PLACES ± 0.13	± .01
1 PLACE ± 0.25	± .01
ANGULAR ±1/2°	
DRAFT WHERE APPLICABLE MUST REMAIN WITHIN DIMENSIONS	

DIMENSION STYLE	
IN/MM	
DRAWN BY	DATE
EDB	2001/02/02
CHECKED BY	DATE
HEB	2001/02/02
APPROVED BY	DATE
RWD	2001/02/02
MATERIAL NO.	DOCUMENT NO.
SEE CHART	SD-19067-010
SIZE B	

SCALE ---	DESIGN UNITS INCH	THIRD ANGLE PROJECTION
TITLE		
NYLAKRIMP FUNNEL ENTRY RING TONGUE TERMINAL, 2/0 AWG		
MOLEX MOLEX INCORPORATED		
SHEET NO.		1 OF 1

THIS DRAWING CONTAINS INFORMATION THAT IS PROPRIETARY TO MOLEX INCORPORATED AND SHOULD NOT BE USED WITHOUT WRITTEN PERMISSION