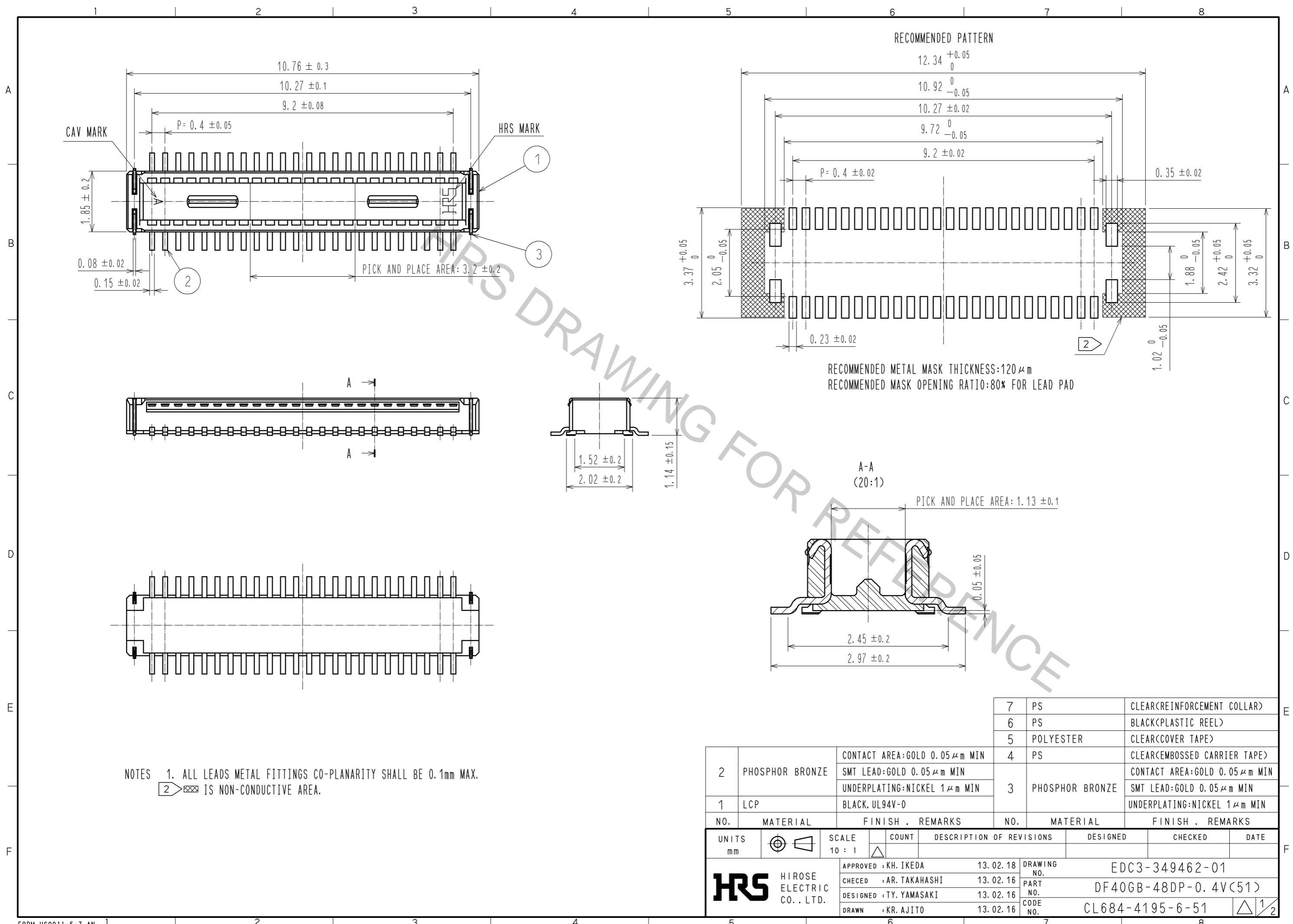


Apr.1.2017 Copyright 2017 HIROSE ELECTRIC CO., LTD. All Rights Reserved.



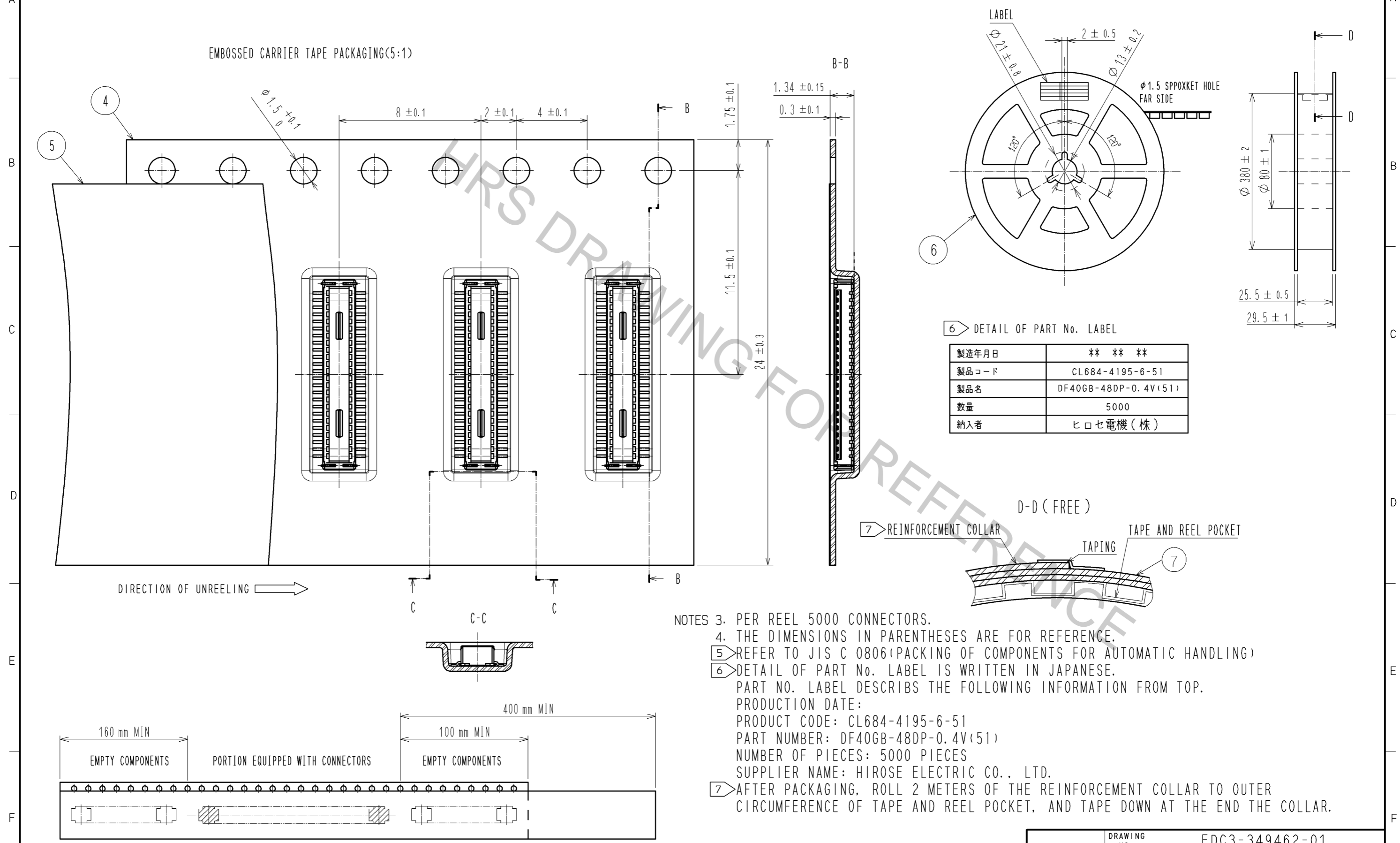
7	PS	CLEAR(REINFORCEMENT COLLAR)
6	PS	BLACK(PLASTIC REEL)
5	POLYESTER	CLEAR(COVER TAPE)
4	PS	CLEAR(EMBOSSED CARRIER TAPE)
3	PHOSPHOR BRONZE	CONTACT AREA:GOLD 0.05 μ m MIN SMT LEAD:GOLD 0.05 μ m MIN UNDERPLATING:NICKEL 1 μ m MIN
2	PHOSPHOR BRONZE	CONTACT AREA:GOLD 0.05 μ m MIN SMT LEAD:GOLD 0.05 μ m MIN UNDERPLATING:NICKEL 1 μ m MIN
1	LCP	BLACK, UL94V-0

NO.	MATERIAL	FINISH	REMARKS	NO.	MATERIAL	FINISH	REMARKS
7	PS		CLEAR(REINFORCEMENT COLLAR)				
6	PS		BLACK(PLASTIC REEL)				
5	POLYESTER		CLEAR(COVER TAPE)				
4	PS		CLEAR(EMBOSSED CARRIER TAPE)				
3	PHOSPHOR BRONZE		CONTACT AREA:GOLD 0.05 μ m MIN SMT LEAD:GOLD 0.05 μ m MIN UNDERPLATING:NICKEL 1 μ m MIN				
2	PHOSPHOR BRONZE		CONTACT AREA:GOLD 0.05 μ m MIN SMT LEAD:GOLD 0.05 μ m MIN UNDERPLATING:NICKEL 1 μ m MIN				
1	LCP		BLACK, UL94V-0				

UNITS		SCALE	COUNT	DESCRIPTION OF REVISIONS	DESIGNED	CHECKED	DATE
mm		10 : 1					
HRS HIROSE ELECTRIC CO., LTD.		APPROVED : KH. IKEDA	13.02.18	DRAWING NO. EDC3-349462-01			
		CHECED : AR. TAKAHASHI	13.02.16	PART NO. DF40GB-48DP-0.4V(51)			
		DESIGNED : TY. YAMASAKI	13.02.16	CODE NO. CL684-4195-6-51			
		DRAWN : KR. AJITO	13.02.16				

EMBOSSED CARRIER TAPE PACKAGING(5:1)

STYLE AND DIMENSION OF REEL(FREE)



6 DETAIL OF PART No. LABEL

製造年月日	** ** *
製品コード	CL684-4195-6-51
製品名	DF40GB-48DP-0.4V(51)
数量	5000
納入者	ヒロセ電機(株)

- NOTES
3. PER REEL 5000 CONNECTORS.
 4. THE DIMENSIONS IN PARENTHESES ARE FOR REFERENCE.
 - 5 REFER TO JIS C 0806(PACKING OF COMPONENTS FOR AUTOMATIC HANDLING)
 - 6 DETAIL OF PART No. LABEL IS WRITTEN IN JAPANESE.
PART No. LABEL DESCRIBES THE FOLLOWING INFORMATION FROM TOP.
PRODUCTION DATE:
PRODUCT CODE: CL684-4195-6-51
PART NUMBER: DF40GB-48DP-0.4V(51)
NUMBER OF PIECES: 5000 PIECES
SUPPLIER NAME: HIROSE ELECTRIC CO., LTD.
 - 7 AFTER PACKAGING, ROLL 2 METERS OF THE REINFORCEMENT COLLAR TO OUTER CIRCUMFERENCE OF TAPE AND REEL POCKET, AND TAPE DOWN AT THE END THE COLLAR.

HRS	DRAWING NO.	EDC3-349462-01
	PART NO.	DF40GB-48DP-0.4V(51)
	CODE NO.	CL684-4195-6-51
		△ 2/2