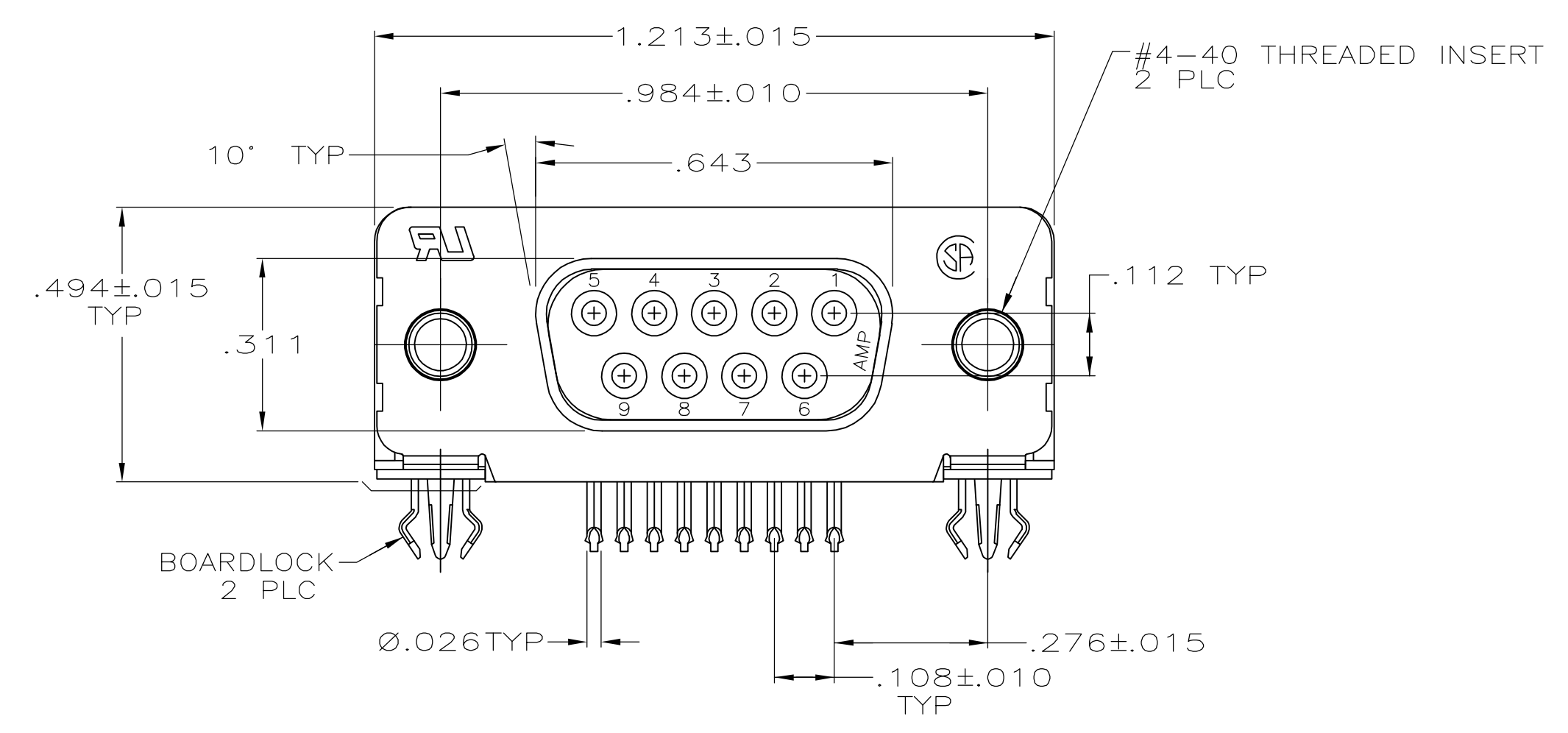
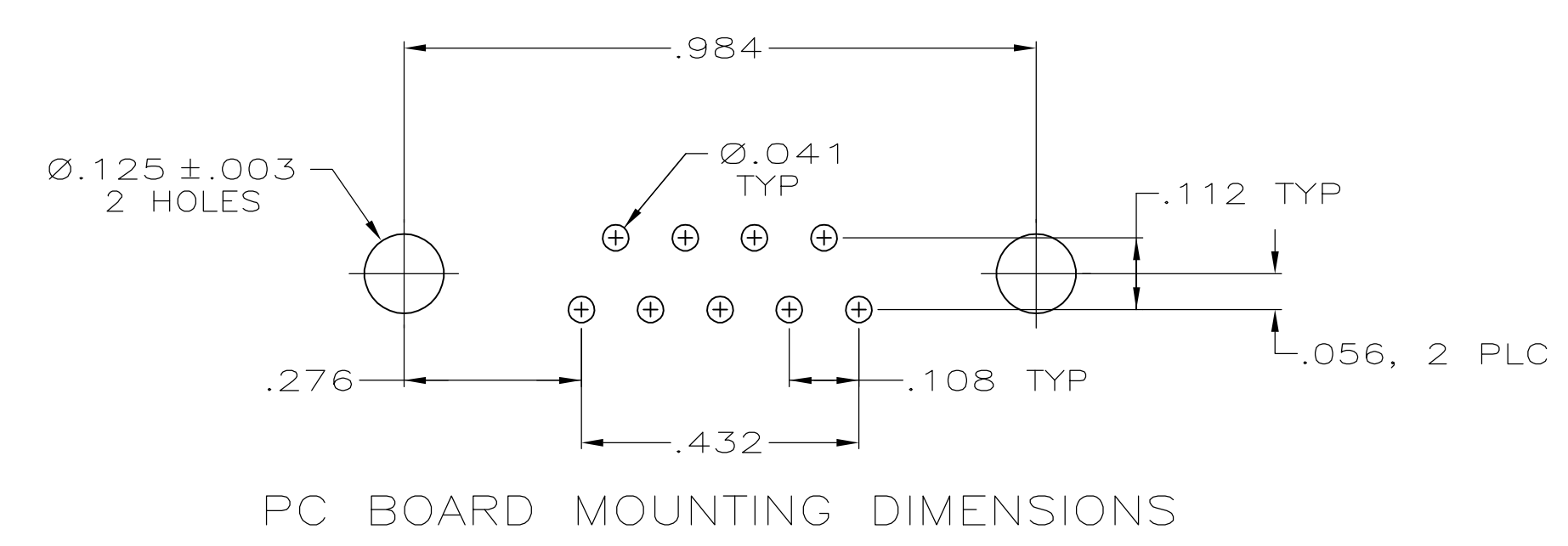
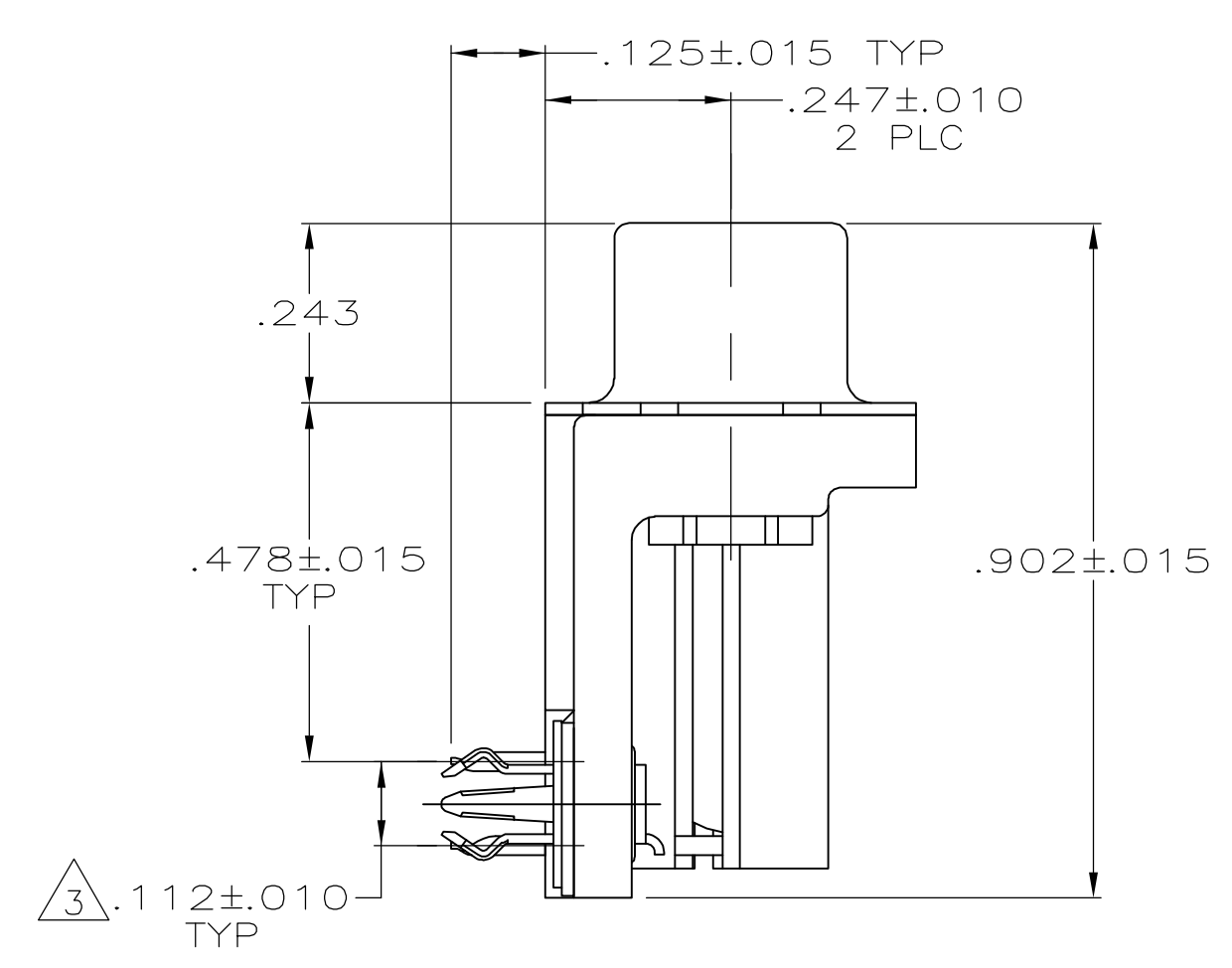
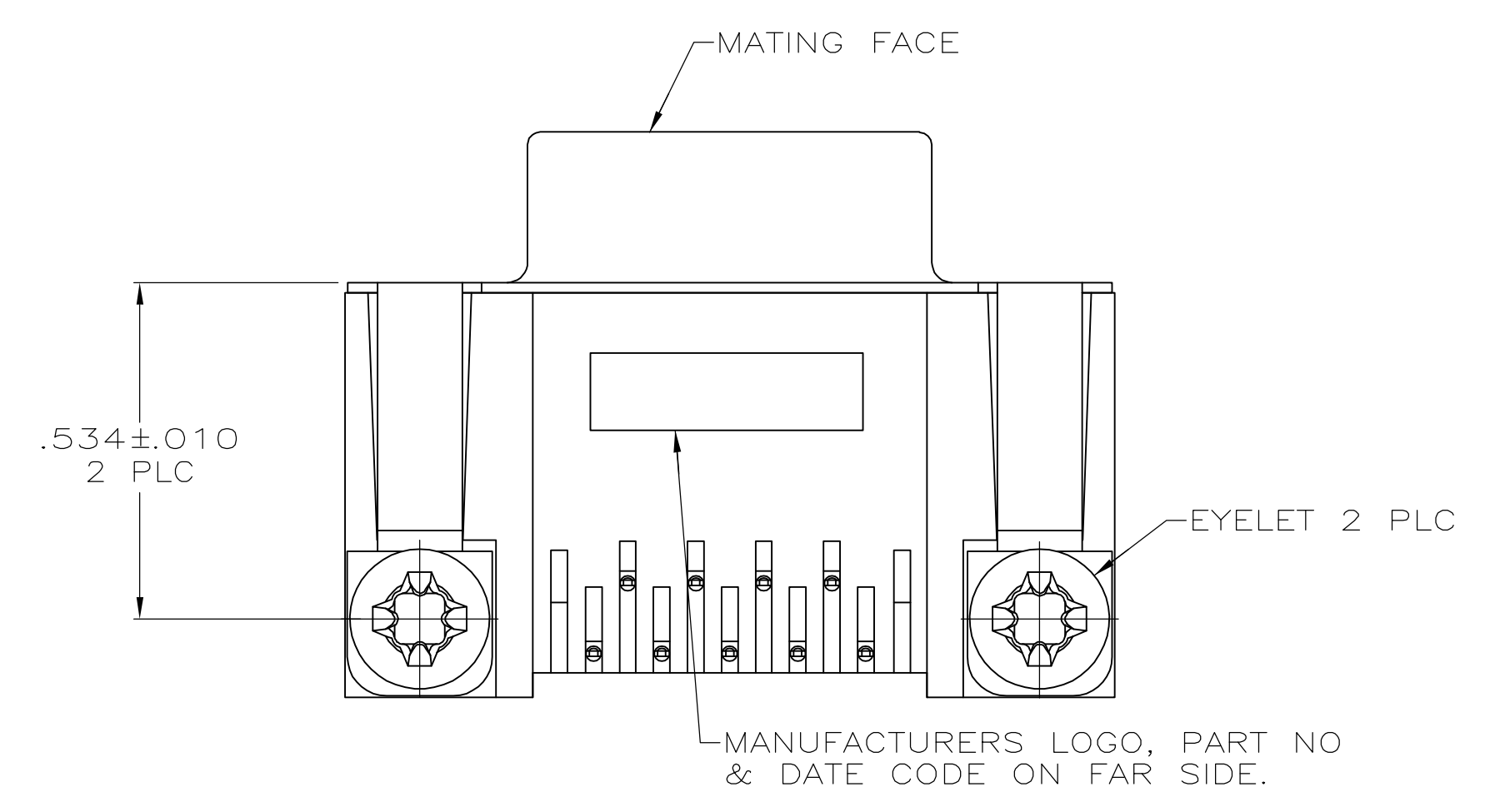


LOC	DIST	REVISIONS			
P	LTR	DESCRIPTION	DATE	DWN	APVD
0		RELEASED PER EC 0513-0016-05	04-07-05	LV	JG



- 1 MOLDED PARTS: FLAME RETARDANT 94V-0 RATED THERMOPLASTIC, BLACK.
 SHELL: CARBON STEEL
 CONTACTS: PHOSPHOR BRONZE
 EYELETS: BRASS
 INSERTS: ZINC
 BOARDLOCKS: COPPER ALLOY
- 2 SHELL: .000100 MIN TIN OVER .000050 MIN COPPER.
 CONTACTS: .000030 MIN GOLD FOR A DISTANCE OF .100 MIN FROM MATING END, .000100 MIN TIN ON TERMINATION END, ALL OVER .000050 MIN NICKEL ON ENTIRE CONTACT.
 EYELETS: .000100 MIN TIN OVER COPPER FLASH.
 BOARDLOCKS: .000150 MIN TIN OVER .000050 MIN NICKEL.
 INSERTS: CLEAR CHROMATE
- 3 DIMENSION APPLIES TO CENTER LINE OF CONTACTS.



5747852-4
 PART NUMBER

**COPYRIGHT 2005
 TYCO ELECTRONICS CORP
 ALL RIGHTS RESERVED**

THIS DRAWING IS A CONTROLLED DOCUMENT.		DWN: L. VARELA - 04-07-05	Tyco Electronics Corporation Harrisburg, PA 17105-3608
DIMENSIONS: INCHES		CHK: S. BOLASH 04-07-05	
TOLERANCES UNLESS OTHERWISE SPECIFIED:		APVD: M. WALMSLEY 04-07-05	NAME: RECEPTACLE ASSEMBLY, SIZE 1, RIGHT ANGLE, .478 SERIES, FRONT METAL SHELL, .026 DIA POSTS, BOARDLOCKS, AMPLIMITE HD-20
0 PLC ± -	1 PLC ± -	PRODUCT SPEC 108-40025	SIZE: A1
2 PLC ± -	3 PLC ± .005	APPLICATION SPEC 114-40010	CAGE CODE: 00779
4 PLC ± -	ANGLES ± -	FINISH ± -	DRAWING NO: 5747852
MATERIAL: 1		CUSTOMER DRAWING	
FINISH: 2		SCALE: 4:1	
		SHEET: 1 OF 1	
		REV: 0	