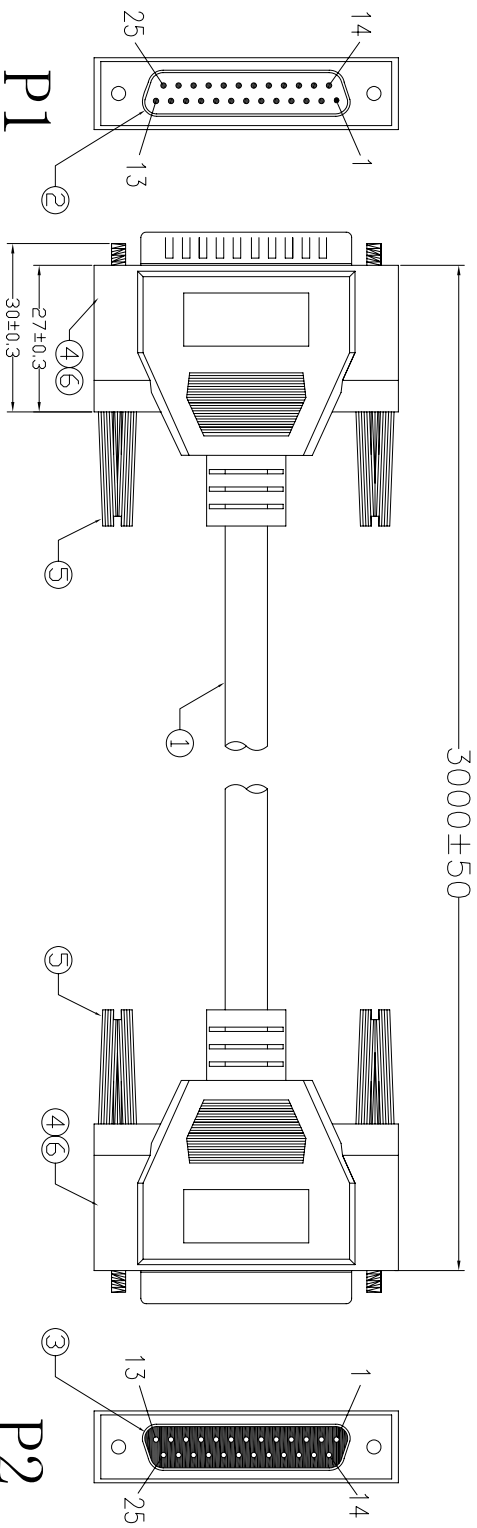
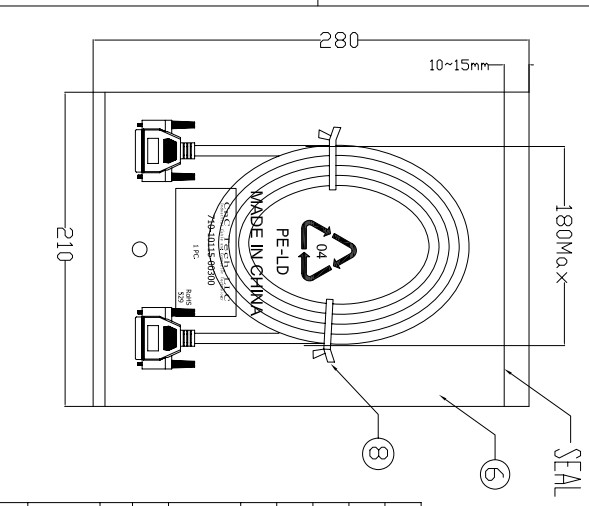


Units: mm



**Electrical test:**  
 1. 100% short open, miswire test  
 2. Conduct resistance: 5 Ohm(max)  
 3. Insulation resistance: 10Mohm(min)  
 4. dielectric test: DC 300V



NO.	NAME	Q'TY	SPECIFICATION
①	CABLE	1	UL20276 28AWG(7/0.12TC)*18F+D(26AWGTc)+AL/NY+BRAID(85%) 007.5mm JACKET:BEIGE(V-29) L=3000±15mm.
②	CONN	1	DB 25P MALE SODDER TYPE PIN G/F SHELL NI-PLATED INSULATOR COLOR:BLUE
③	CONN	1	DB 25P FEMALE SODDER TYPE PIN G/F SHELL NI-PLATED INSULATOR COLOR:BLUE
④	OUT JACKET	60g	BEIGE(V-29) 40P PVC(Mould NO:WM-071)
⑤	NI JACKET	18g	CLEAR LD-PE (Mould NO:NM-33)
⑥	TUBE	2	HEAT SHRINK TUBE BLACK OD1.5*20MM
⑦	PE BAG	1/5	CLEAR SIZE: 360*380*0.05mm PRINT BLACK"MADE IN CHINA"+"SPCS"及印生产周期,有透气孔.
⑧	TIE	2	WHITE L=120mm
⑨	SEAL	1	180Max

PIN ASSIGNMENT	
P1	P2
1 棕	1 棕
2 棕/黑	2 棕/黑
3 红	3 红
4 红/黑	4 红/黑
5 橙	5 橙
6 橙/黑	6 橙/黑
7 黄	7 黄
8 黄/黑	8 黄/黑
9 绿	9 绿
10 绿/黑	10 绿/黑
11 蓝	11 蓝
12 蓝/黑	12 蓝/黑
13 紫	13 紫
14 紫/黑	14 紫/黑
15 白	15 白
16 白/黑	16 白/黑
17 粉	17 粉
18 粉/黑	18 粉/黑
19 棕/白	19 棕/白
20 橙/白	20 橙/白
21 黄/白	21 黄/白
22 绿/白	22 绿/白
23 蓝/白	23 蓝/白
24 紫/白	24 紫/白
25 浅灰/白	25 浅灰/白
SHELL	SHELL
SHELL	SHELL

**Cnc Tech, LLC**  
 Industrial Cable and Connector Technology

DRAWN BY	ZHONGHS	DRAWING NO.	
CHECKED BY		CUSTOMER	
APPROVAL BY		ITEM NO.	710-10115-00300
DECIDE BY		DATE	2012-02-16
VERSIONS/EDITION	A/0	PROJECTION	1