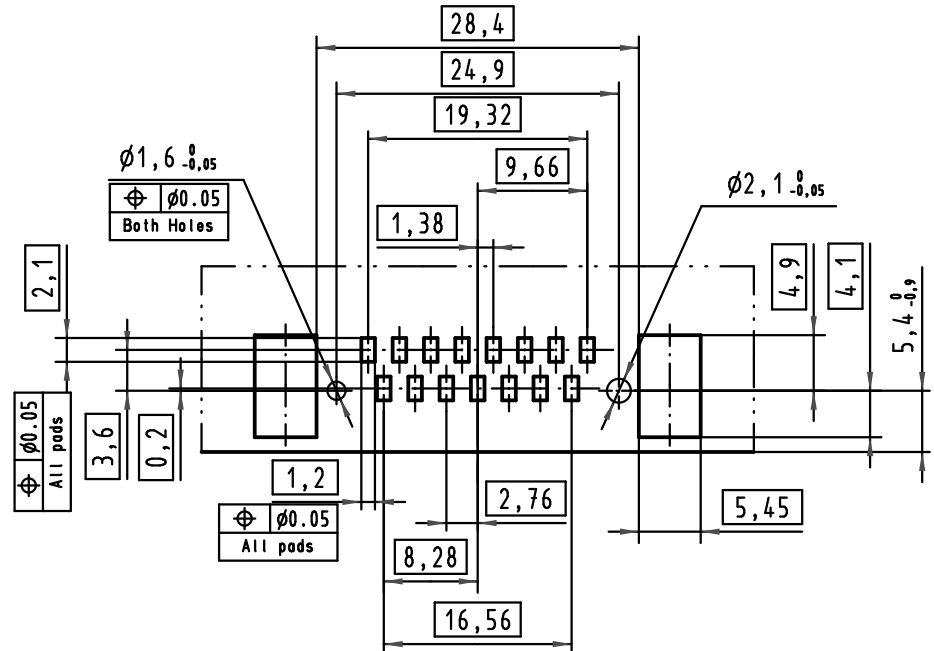
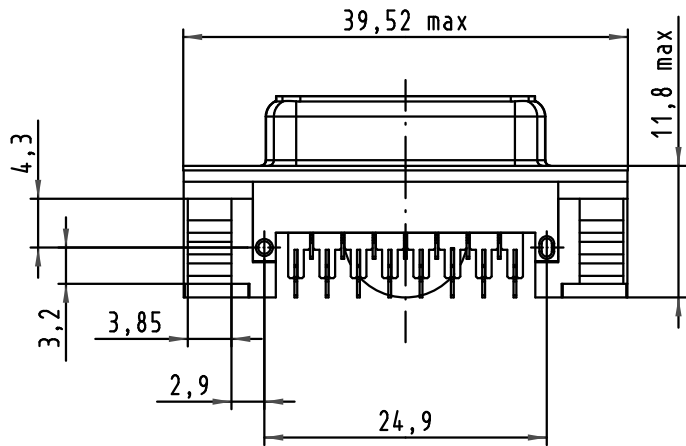


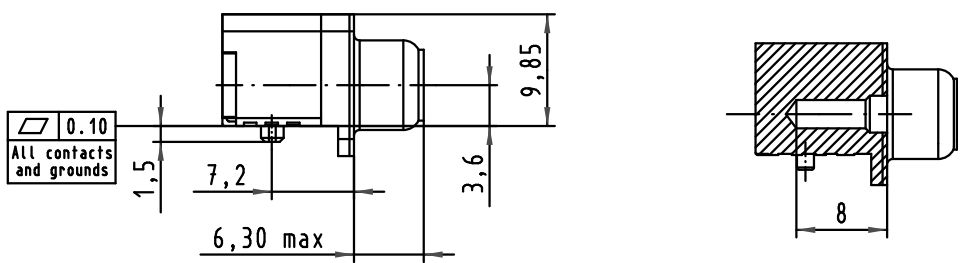
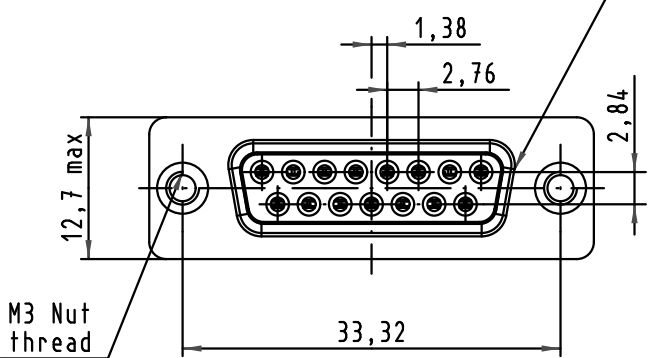
1 2 3 4 5 6

A



PCB Layout, component side (thickness 1,6mm min.)

Mating face according to CECC 75301-802



Max. Temperature: 260°C during 10 seconds

09552563615.741	1	M3	Black Insulator	Reel Packaging (160 connectors) see page 2/2
09552566615.741	2			
09552567615.741	3			
Part number	PL	Thread	Index designation	

			Dot.	Name
			29Sep2009	LP
EC01257	25/01/2010	ED		
EC00385	29/09/2009	LP		
Mod.	Dot.	Name	HARTING EURL F-95972 Paris	

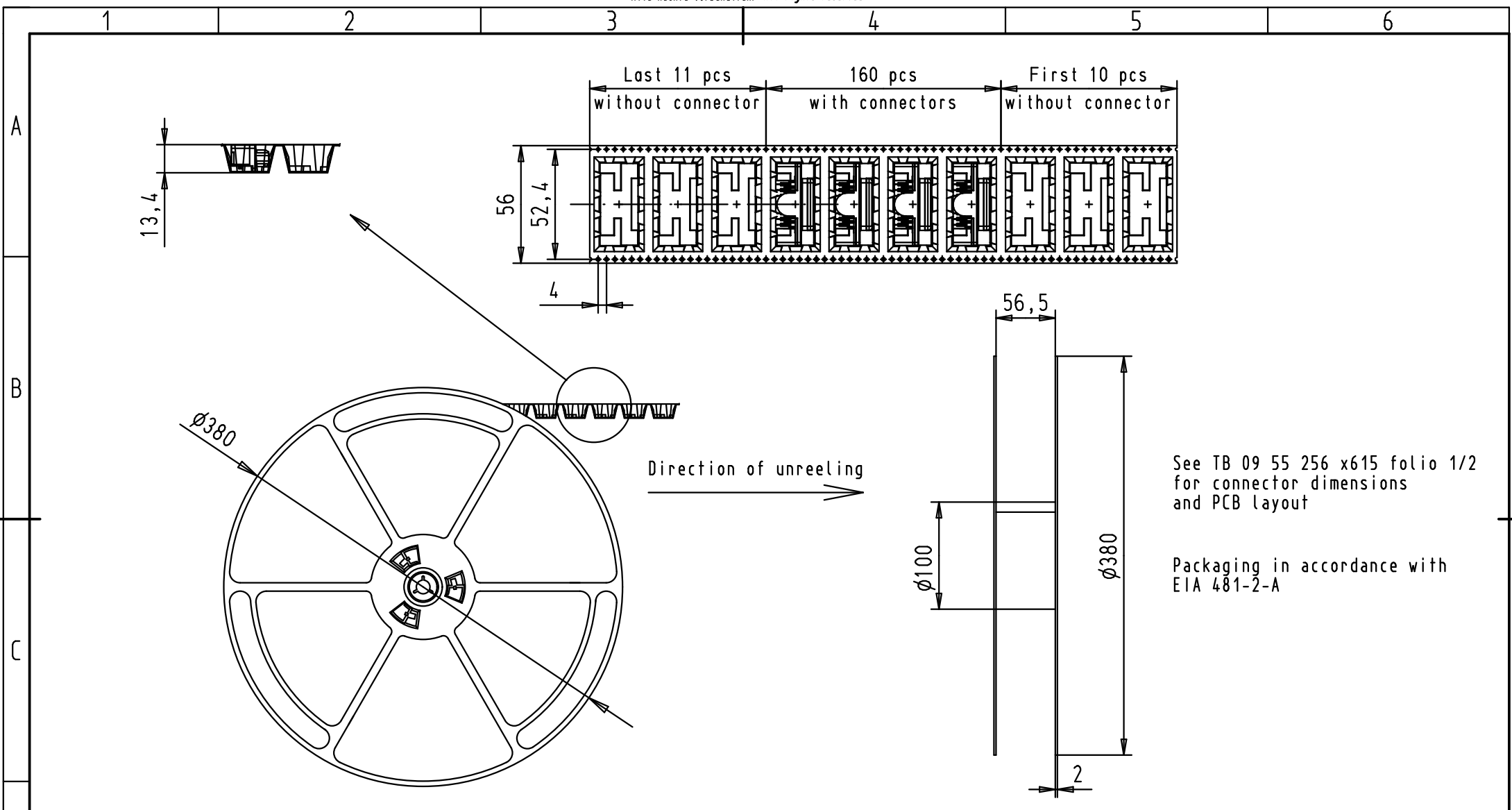


D-SUB SMT
Low Profile Female 15p
with die casted grounds
and M3 nuts

TB 09 55 256 x615

Maßstab/
Scale
1,5:1
Blatt/ Page
1/2

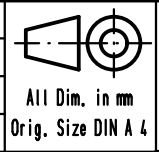
D



See TB 09 55 256 x615 folio 1/2 for connector dimensions and PCB layout

Packaging in accordance with EIA 481-2-A

				Dot.	Name
				Detail.	17Jul2006 ED
				Insp.	
				Stand.	



09552563615.741	1	M3	Black Insulator	Reel Packaging (160 connectors)
09552566615.741	2			
09552567615.741	3			
Part number	PL	Thread	Index designation	

EC01257	25Jan2010	ED
EC01078	09Nov2009	LP
Mod.	Dot.	Name

HARTING EURL
F-95972 Paris



D-SUB SMT
Low Profile Female 15p
with die casted grounds
and M3 nuts

TB 09 55 256 x615

Sub.

Maßstab/
Scale

Blatt/ Page
2 / 2