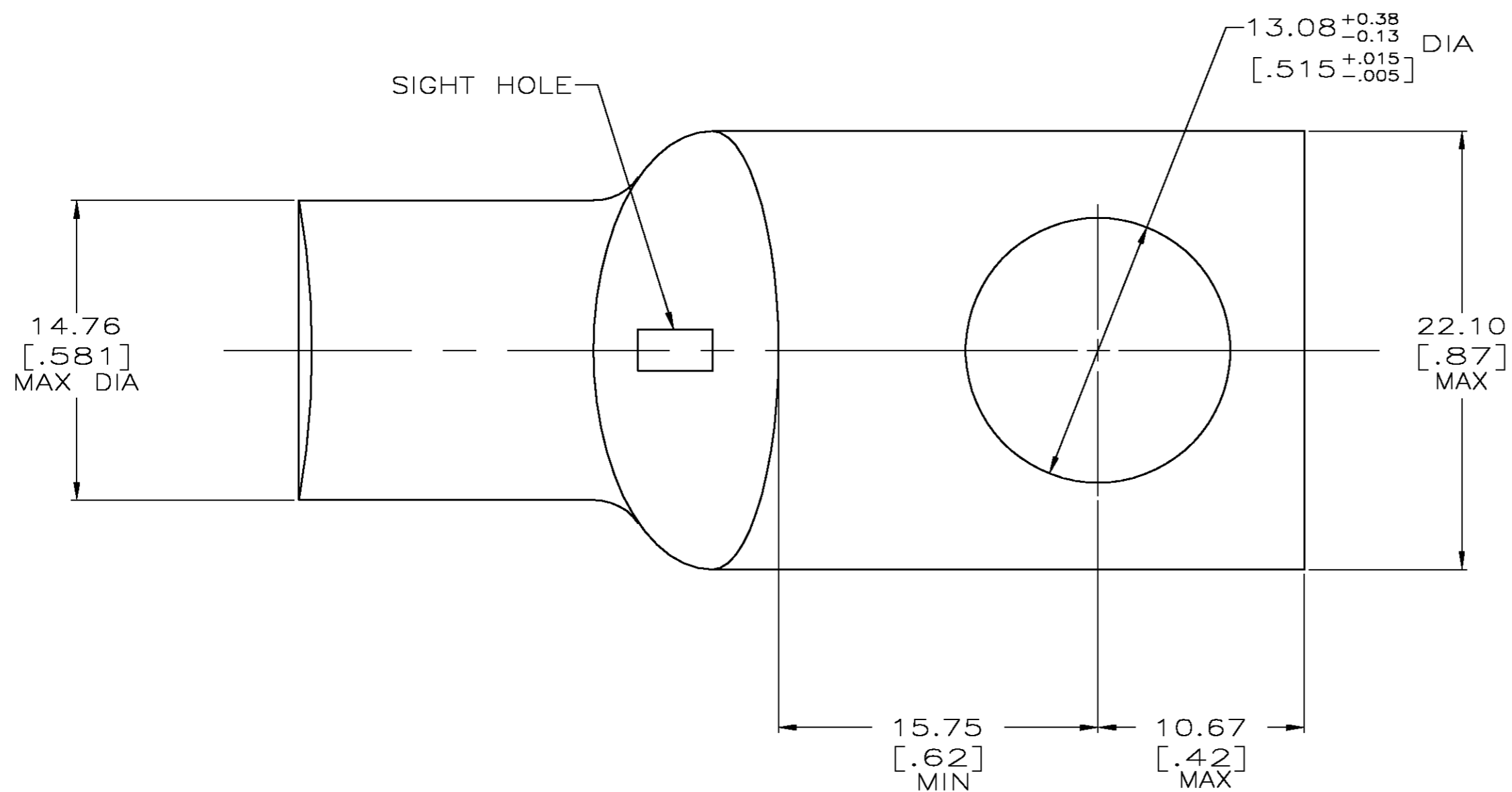
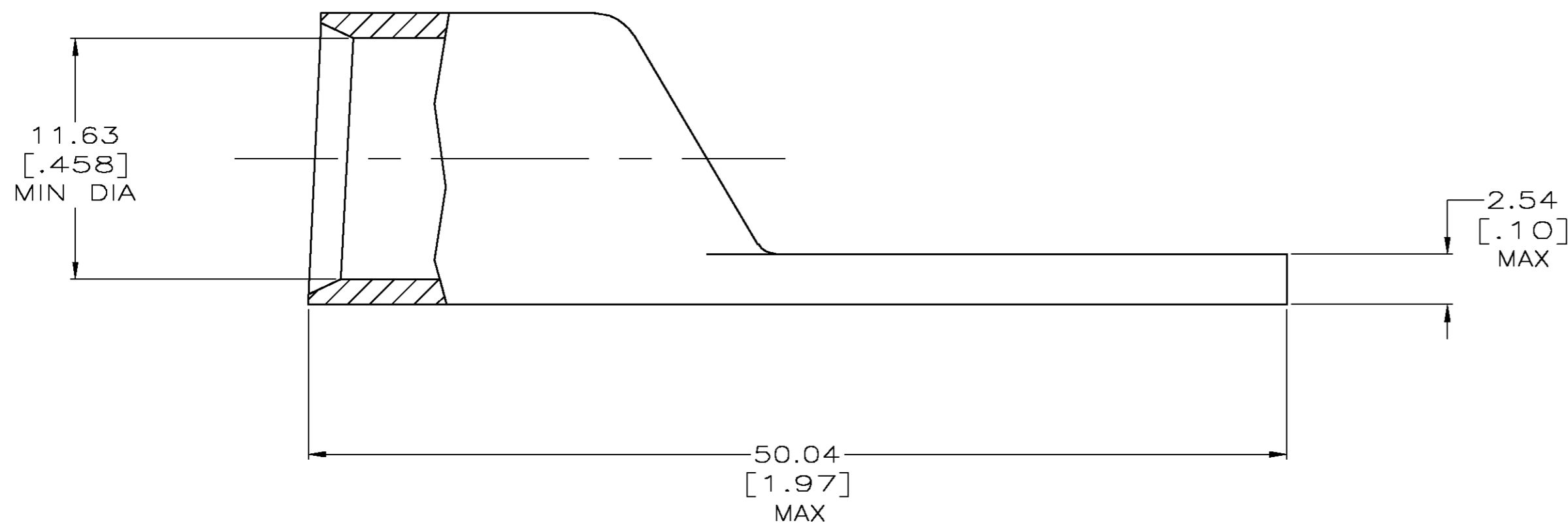


THIS DRAWING IS UNPUBLISHED. RELEASED FOR PUBLICATION
 © COPYRIGHT BY TYCO ELECTRONICS CORPORATION. ALL RIGHTS RESERVED.

LOC	DIST	REVISIONS					
		P	LTR	DESCRIPTION	DATE	DWN	APVD
G	86		U	REV PER 0G3A-0538-03	02SEP03	JR	MS



- 1 CIRCULAR MIL RANGE: 83,700-119,500 CM
- 2 TIN PL 0.00381[.000150] MIN THK PER MIL-T-10727
- 3 ANNEALED COPPER PER ASTM B-75



THIS DRAWING IS A CONTROLLED DOCUMENT.		DWN	DK SCHRUM	02/28/90	CLEANED, UNPLATED			325305-4
DIMENSIONS: INCHES		CHK	MS FEHER	31AUG94	FINISH			325305
TOLERANCES UNLESS OTHERWISE SPECIFIED:		APVD	MJ SPICER	31AUG94	PART NO			
0 PLC	± -	PRODUCT SPEC	Tyco Electronics Corporation Harrisburg, PA 17105					
1 PLC	± -	APPLICATION SPEC	NAME					
2 PLC	± 0.51[.020]		TERMINAL, AMPPOWER					
3 PLC	± -		WIRE SIZE: 1/0 AWG					
4 PLC	± -		SIZE	CAGE CODE	DRAWING NO	RESTRICTED TO		
ANGLES	± -		A2	00779	C=325305	-		
MATERIAL	SEE TABLE	WEIGHT	.038 LB					
		CUSTOMER DRAWING	SCALE	4:1	SHEET	1 OF 1	REV	