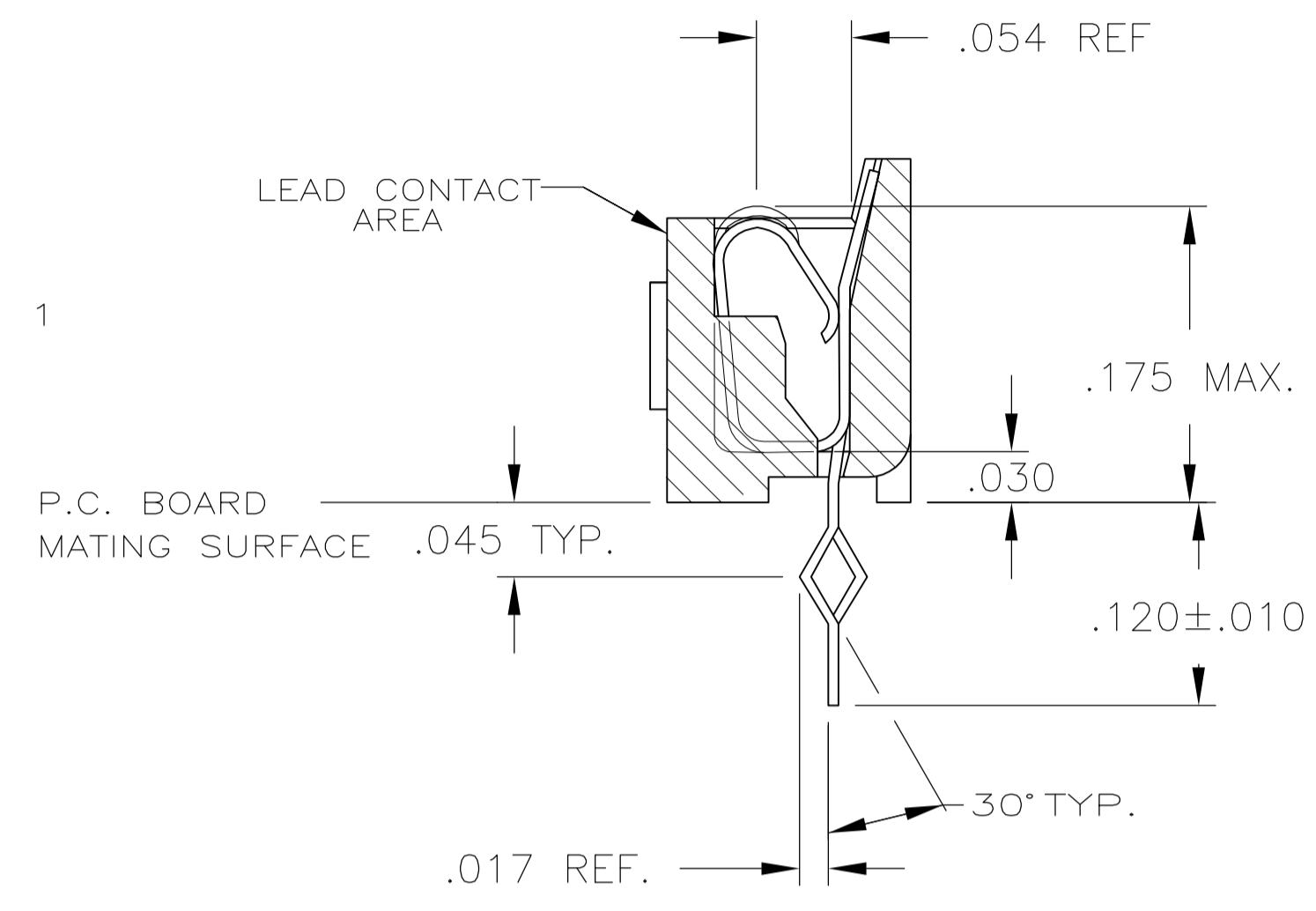
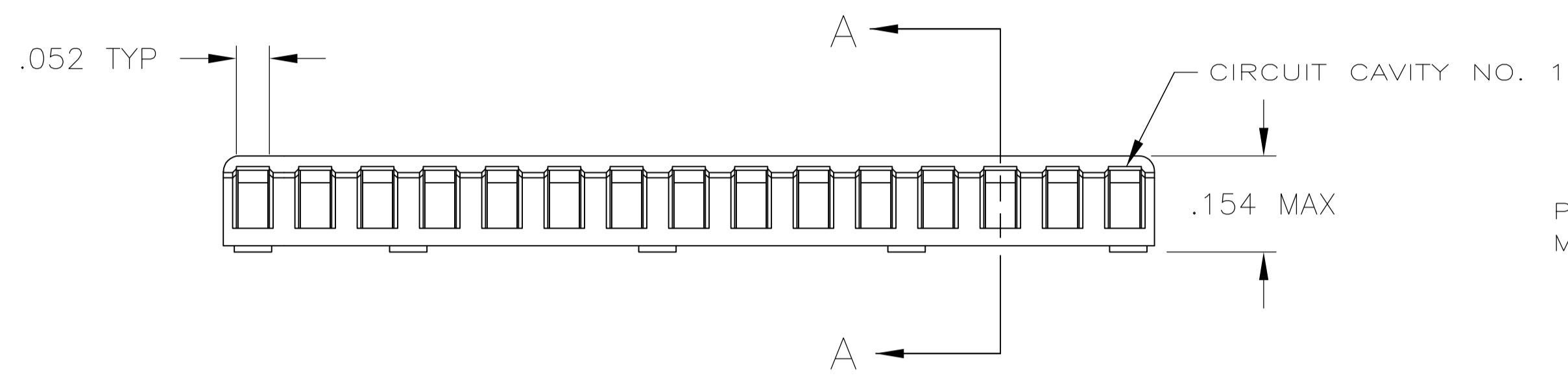
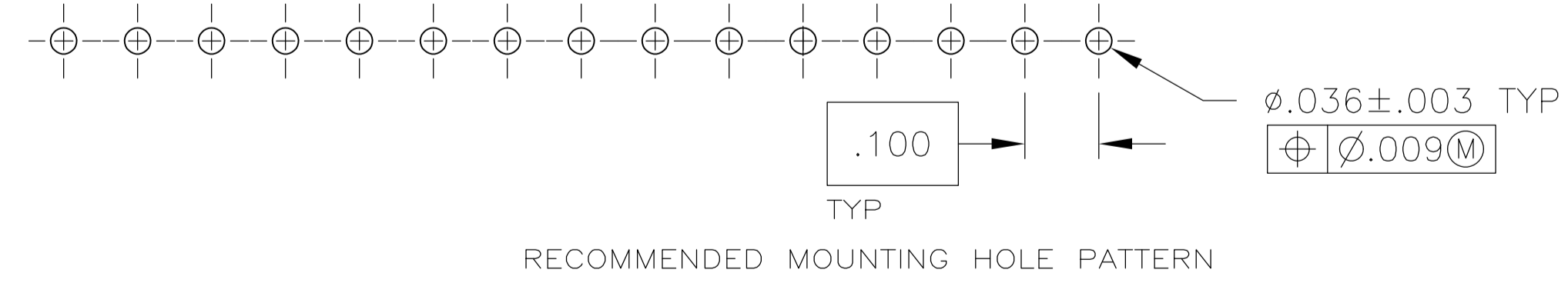
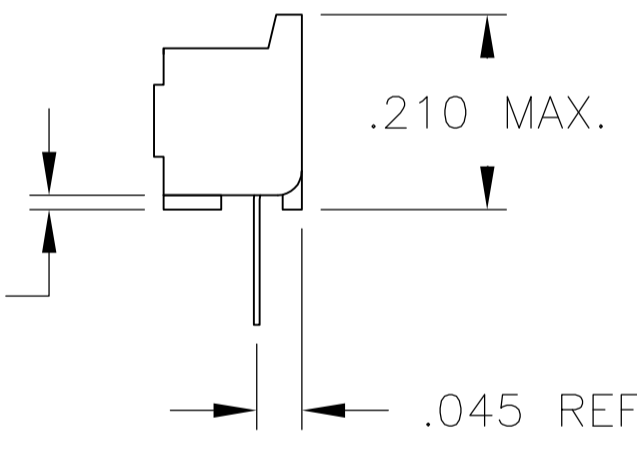
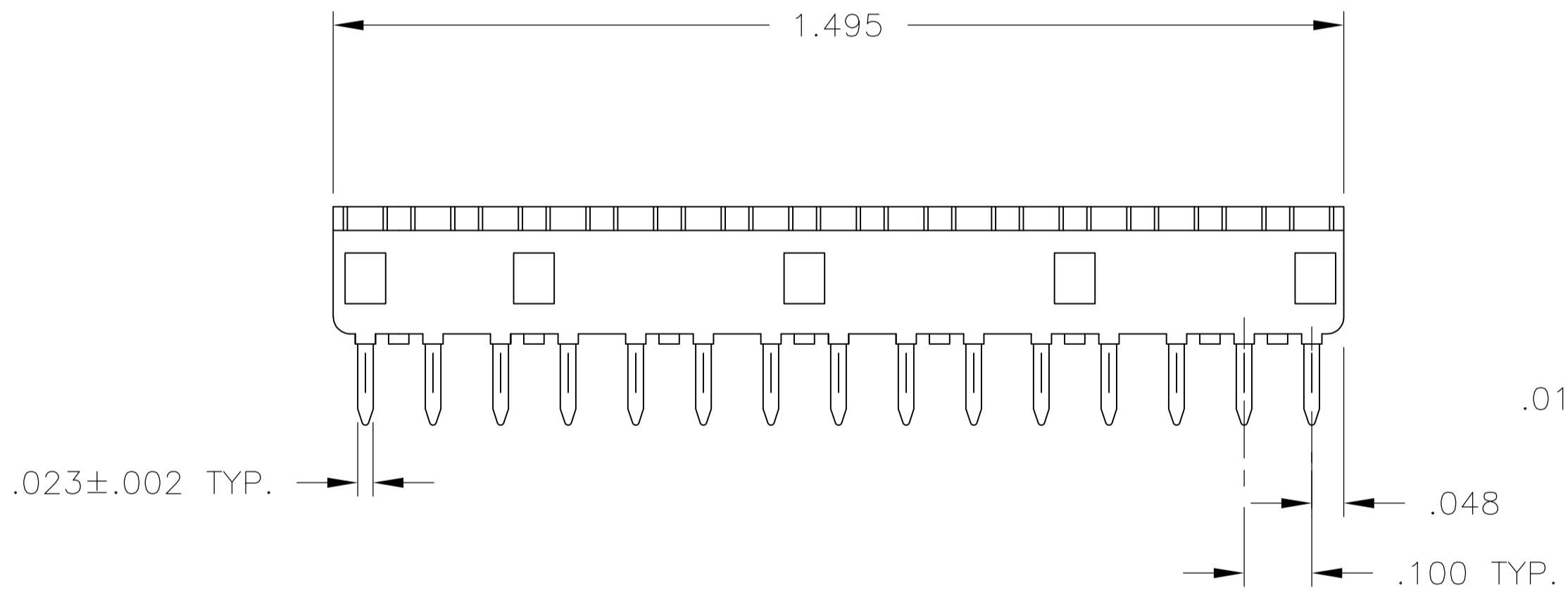


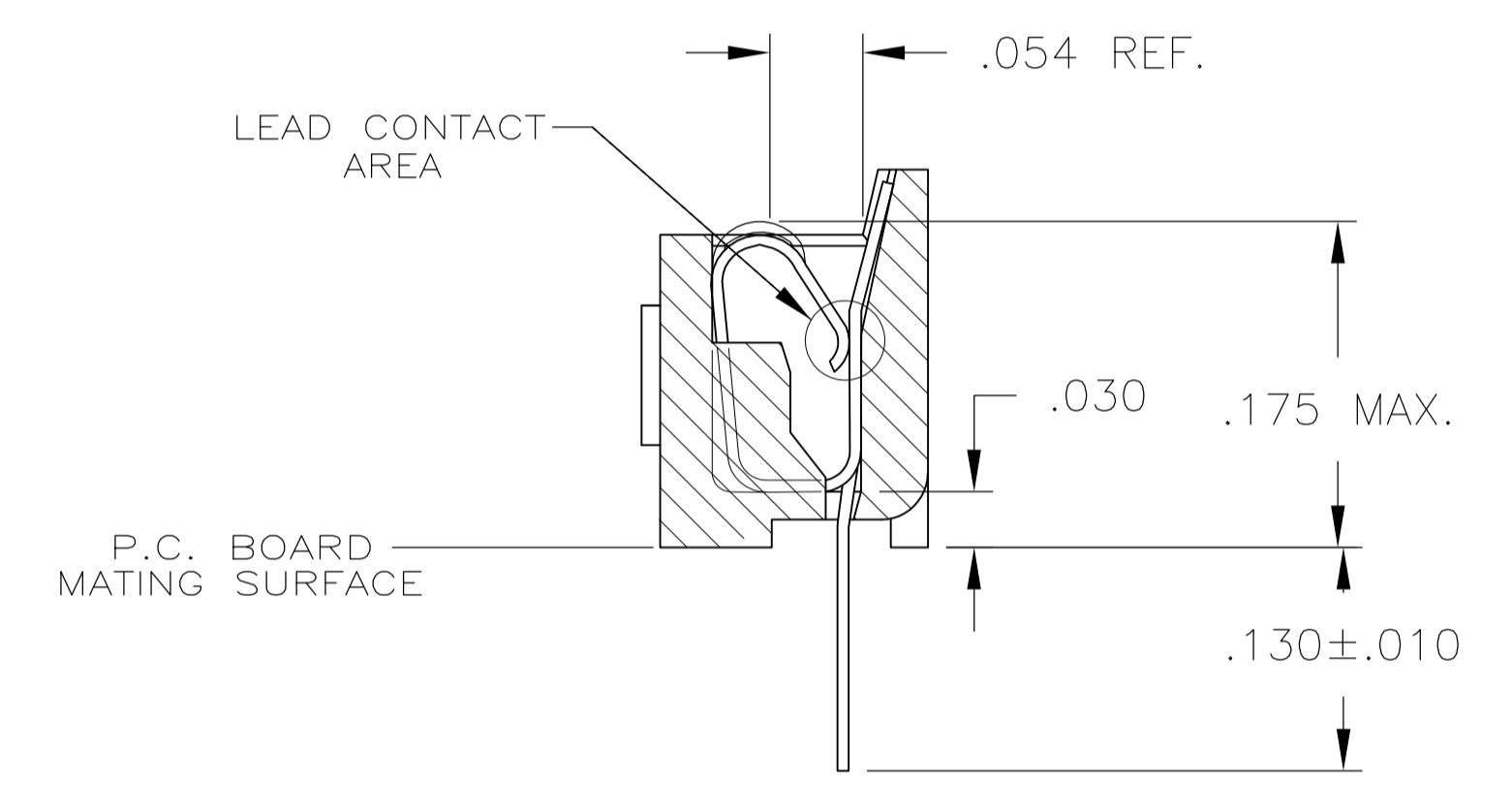
LOC		DIST		REVISIONS				
FT		64		REV	DESCRIPTION	DATE	BY	APPD
K				REV PER	OG3C-0214-99	24AUG00	BH	HW
K1				REVISED PER	ECO-09-021510	14SEP09	KK	AEG



SECTION A-A
 ROTATED 90° CW
 SCALE 10:1
 FOR -6, -7 & -8 ONLY



1. RECEPTACLE ACCEPTS AN .008-.014 THK. I.C. LEAD.
- ① TWO .000030 MIN.THK.GOLD STRIPES IN CONTACT AREA, TIN-LEAD(93-7) ON CONTACT LEGS, BALANCE OF CONTACT NICKEL PLATED.
- ② TWO .000015 MIN.THK.GOLD STRIPES IN CONTACT AREA, TIN-LEAD(93-7) ON CONTACT LEGS, BALANCE OF CONTACT NICKEL PLATED.
- ③ OBSOLETE PARTS: OBSOLETE CIS STREAMLINING PER D.RENAUD/D.SINISI



SECTION A-A
 ROTATED 90° CW
 SCALE 10:1
 FOR -1, -2 & -3 ONLY

④ OBSOLETE	TINNED	PHOS.BRZ.	GLASS-FILLED THERMOPLASTIC, 94V-O, BLACK	643647-8
OBSOLETE	①	BE.CU.	GLASS-FILLED THERMOPLASTIC, 94V-O, BLACK	643647-7
	TINNED	BE.CU.	GLASS-FILLED THERMOPLASTIC, 94V-O, BLACK	643647-6
SUPSD BY 643647-2	①	PHOS.BRZ.	GLASS-FILLED THERMOPLASTIC, 94V-O, BLACK	643647-4
SUPERCEDED BY 643647-1	TINNED	PHOS.BRZ.	GLASS-FILLED THERMOPLASTIC, 94V-O, BLACK	643647-3
OBSOLETE	①	BE.CU.	GLASS-FILLED THERMOPLASTIC, 94V-O, BLACK	643647-2
	TINNED	BE.CU.	GLASS-FILLED THERMOPLASTIC, 94V-O, BLACK	643647-1
		CONTACT FINISH	CONTACT MAT'L	HOUSING MATERIAL
				PART NO.

THIS DRAWING IS A CONTROLLED DOCUMENT.

DIMENSIONS: INCHES	TOLERANCES UNLESS OTHERWISE SPECIFIED:	DIN M. CYRUS 6-1-84	AMP Tyco Electronics Corporation Harrisburg, PA 17105
0 PLC ± -	1 PLC ± -	CHK N. JONES 7-3-84	NAME
2 PLC ± -	3 PLC ± .005	APVD J. GRAY 7-10-84	SOCKET ASSY, SIP, 15 POS, DIPLOMATE DL
4 PLC ± -	ANGLES ± -	PRODUCT SPEC	108-1066
SEE TABLE	SEE TABLE	APPLICATION SPEC	114-1049
		WEIGHT	A1 00779 643647
		CUSTOMER DRAWING	SCALE 5:1 SHEET 1 OF 1 REV K1