

ATLANTIC VERSION TERMINATOR INTERFACE ADAPTER	PART NUMBER	REVISION	DESCRIPTION	FEED TYPE	CONVERT TO	PART NUMBERS REQUIRED					
	2266629-1	A	FINE CRIMP HEIGHT ADJUST	MECHANICAL	PNEUMATIC FEED	2119950-1	1338685-1	5-18022-5	2119641-1	2119799-1	2063440-1
	2266629-2	A	FINE CRIMP HEIGHT ADJUST	PNEUMATIC	SERVO LATCH PLATE	2119951-1	-	8-2266629-5	1901094-3	-	2168400-6 (QUANTITY 2)
					SMART APPLICATOR	2161326-1	-	8-2266629-4	-	-	
					MECHANICAL FEED	2119949-1	1338685-1	5-18022-5	2119653-1	-	-
	2266629-5	A	FINE CRIMP HEIGHT ADJUST	SERVO LATCH PLATE	SERVO LATCH PLATE	2119951-1	-	8-2266629-5	1901094-3	-	2168400-6 (QUANTITY 2)
					SMART APPLICATOR	2161326-1	-	8-2266629-4	-	-	
					MECHANICAL FEED	2119949-1	1338685-1	5-18022-5	2119653-1	-	-
2266629-6	A	NON-CRIMP HEIGHT ADJUST	SERVO LATCH PLATE	-	-	-	-	-	-	-	
2266629-7	A	FINE CRIMP HEIGHT ADJUST	NONE	-	-	-	-	-	-	-	
7-2266629-7	A	CRIMP TOOLING KIT	-	-	-	-	-	-	-	-	

APPLICATOR DATA		
CRIMP	SIZE	TYPE
WIRE	1.40 mm [.055]	F
INSUL	1.86 mm [.073]	O

APPLICATOR INSTRUCTIONS
408-10389

TERMINAL DATA: DELPHI PACKARD TERMINAL/DELPHI CRIMP SPECIFICATION	
TERMINAL NAME: TERMINAL	
WIRE STRIP LENGTH 2.95-3.71 mm [.116-.146 IN]	INSULATION DIAMETER RANGE Ø1.10-1.70 mm [.043-.067 IN]
TERMINAL APPLICATION SPECIFICATION 15341541 PG 1 OR 11	
TERMINALS APPLIED	
TE TERMINAL 2113141-1	DELPHI PACKARD TERMINAL 15341541

WIRE SIZE	CRIMP HEIGHT mm [INCH]	CRIMP HEIGHT REFERENCE SETTING
0.50mm2	1.05+/-0.05 [.041+/- .002]	6.8
0.35mm2	0.95+/-0.05 [.037+/- .002]	7.9

- 1 RECOMMENDED SPARE PARTS
- 2 GREASE BEARING SURFACES LIGHTLY
- 3. LUBRICATE DAILY PER THE APPLICATOR INSTRUCTION SHEET SUPPLIED WITH THE APPLICATOR.
- 4 APPLICATOR SPECIFIC DATA TO BE ENTERED INTO BLANK MEMORY CHIP AT ASSEMBLY. SEE BELOW FOR PART NUMBER:
MECHANICAL FEED WITH "SMART APPLICATOR" CONVERSION: 8-2266629-4
PNEUMATIC FEED WITH "SMART APPLICATOR" CONVERSION: 8-2266629-4
SERVO FEED WITH "FINE CRIMP HEIGHT ADJUST": 8-2266629-5
SERVO FEED WITH "NON-CRIMP HEIGHT ADJUST": 8-2266629-6
- 5. ADJUSTMENT OF THE STRIPPER MAY BE REQUIRED WHEN MOVING THE APPLICATOR BETWEEN BENCH AND LEADMAKER APPLICATIONS.
- 6 APPLY PART NUMBER 1-23419-5 LOCTITE TO THREADS OF ITEM 62. APPLY PART NUMBER 2-23419-6 LOCTITE TO THREADS OF ITEM 242. FOR -6 ONLY APPLY PART NUMBER 1-23419-5 LOCTITE TO THREADS OF ITEM 37.
- 7 GREASE THREADS, GROOVE AND O-RING ON ITEMS 35 & 252.
- 8 MAGNET, ITEM 166 MUST BE ORIENTED CORRECTLY IN ORDER TO PROPERLY ACTUATE THE COUNTER.
- 9 CRIMP HEIGHT REFERENCE SETTING WAS THE SETTING USED WHEN THE APPLICATOR WAS QUALIFIED AT THE FACTORY. ADJUSTMENT MAY BE NECESSARY WHEN RUNNING APPLICATOR IN THE FIELD.
- 10 SPARE FEED CAM STORAGE LOCATION REFER TO INSTRUCTION SHEET FOR ADDITIONAL INFORMATION.
- 11 TO CONVERT THE APPLICATOR TO A NON-CARRIER CUTTING STYLE, REMOVE ITEM 13 AND ATTACH TO THE LOCATION ON THE BACK SIDE OF THE HOUSING. REFER TO INSTRUCTION SHEET FOR ADDITIONAL INFORMATION.
- 12 WHEN ASSEMBLING A NON CRIMP HEIGHT ADJUST APPLICATOR (-6) USE SHIMS FROM ITEM 260 TO ACHIEVE A NOMINAL SHIM HEIGHT OF 4.75.

***WARNING**
ON INSTALLATION, SET WIRE DISC, ITEM 40 TO LARGEST WIRE SIZE SETTING. USE OF SETTINGS BELOW MINIMUM REQUIRED CRIMP HEIGHT SETTING WILL CAUSE DAMAGE TO CRIMP TOOLING.

-77	-7	-6	-5	-2	-1	PART NO	DESCRIPTION	ITEM NO
-	-	1	-	-	-	2119957-2	APPLICATOR SHIM PACK	260

ATLANTIC VERSION
Shown on sheets 1 of 4 & 2 of 4
(Pacific version shown on sheets 3 of 4 & 4 of 4)

SET UP GAUGE 2119599-1		LOC A	DIST 66	REVISIONS			
P	LTN	DESCRIPTION	DATE	OWN	APVD	Y	UG
1		DEVELOPMENT	15JAN2015	YY		UG	
A		RELEASED	13FEB2015	YY		UG	

-	1	-	1	1	1	8-21084-0	O-RING, .676 ID, .070 DIA. MAT.	252
-	-	-	-	1	-	2119640-1	PUSH ROD, AIR FEED	250
-	-	-	-	1	-	2079988-1	BUSHING, LCH5-12, MISUMI	249
-	-	-	-	1	-	2119641-1	FEED CAM, AIR FEED	248
-	1	-	1	1	1	2119798-1	DETENT PIN	247
-	1	-	1	1	1	1-22279-3	SPRING, COMPRESSION	246
-	-	1	-	-	-	2119758-1	RAM, AMP STYLE, SIDE FEED, NON-ADJ.	245
-	1	1	1	1	1	2119082-5	CAM, SNAIL, INSULATION ADJUSTMENT	244
-	1	1	1	1	1	2079764-1	WASHER, WAVE SPRING, CREST-TO-CREST	243
-	1	1	1	1	1	2119083-1	RETAINER, INSULATION DIAL	242
-	1	1	1	1	1	7-18023-7	SCR, SKT HD CAP M3 X 4.0	241
-	-	2	2	-	-	2168400-6	SHCS, LOW HEAD, RoHS, M5 X 16	240
-	-	-	-	-	1	2119580-1	MECHANICAL FEED ASSEMBLY	239
-	-	-	-	-	1	2063440-1	AIR FEED MODULE	238
-	-	1	1	-	-	2119740-2	TAG, IDENTIFICATION	213
-	-	1	1	-	-	1901094-3	SPACER, FEEDER	198
-	-	-	-	-	2	21045-3	RING, RETAIN, EXTERN, 3/16 CRESCENT	172
-	1	1	1	1	1	994969-1	MAGNET, RARE EARTH HIGH ENERGY	166
-	REF	REF	REF	REF	REF	994970-2	COUNTER, MAGNETIC	164
-	-	-	-	1	-	240638-1	SPRING, FEED FINGER	163
-	-	-	-	1	-	3-23627-7	PIN, RETAIN, GRVD, 3/16 X .854	137
-	-	-	-	1	-	2119799-1	HOLDER, FEED FINGER, AF	136
-	-	REF	REF	-	-	SEE NOTE 4	MEMORY CHIP, PROGRAMMED	135
-	-	1	1	-	-	1633743-1	SERVO FEED LATCH ASM	133
-	-	REF	REF	-	-	2119944-1	FEED FINGER ASSEMBLY, SF	117
-	1	1	1	1	1	455888-5	SPACER, CRIMPER	82
-	1	1	1	1	1	2119956-1	DOCUMENTATION PACKAGE	71
-	1	1	1	1	1	2119791-9	DEPRESSOR, WIRE	70
-	1	-	-	1	1	2119740-1	TAG, IDENTIFICATION	67
-	2	2	2	2	2	2168078-1	SCREW, DRIVE, RH, RoHS, 2 x .188	66
-	1	-	1	1	1	2119793-1	LIMITER, ADJUSTMENT BOLT	63
-	3	-	3	3	3	992763-5	SCR, SET, SOC, CONE POINT, M3 x 4.0	62
-	1	1	1	1	1	2079383-4	SCR, BHSC, RoHS (M4 X 8)	60
-	-	-	-	1	1	5-18022-5	SCR, HEX HD CAP, M4 X 6.0	59
-	-	-	-	1	1	1338685-1	PAWL, FEED	56
-	4	4	4	4	4	2168400-1	SHCS, LOW HEAD, RoHS, M4 X 12	54
-	2	2	2	2	2	2168083-3	SCR, SKT HD CAP, RoHS, M4 X 12.0	53
-	1	1	1	1	1	5018030-1	NUT, HEX, REG, RoHS, M3	52
-	1	1	1	1	1	811242-5	BUMPER, HOLD DOWN	51
-	1	1	1	1	1	690753-2	SPACER, TONKER	50
-	-	-	-	-	1	18023-9	SCR, SKT HD CAP M4 X 6.0	49
-	-	-	-	-	1	2119652-1	FEED CAM, PRE FEED	48
-	-	-	-	-	1	2119653-1	FEED CAM, POST FEED	47
-	1	1	1	1	1	2119656-9	APPLICATOR BASIC ASSEMBLY, SF	46
-	1	-	1	1	1	2119370-1	RAM, AMP STYLE, SIDE FEED	44
-	1	1	1	1	1	2079383-7	SCR, BHSC, RoHS (M8 X 25)	41
-	1	-	1	1	1	2119645-1	DISC, NUMBERED FA WIRE ADJUSTMENT	40
-	1	-	1	1	1	2119957-1	APPLICATOR SHIM PACK	39
-	1	1	1	1	1	2119644-1	RAM WASHER, PRECISION	38
-	1	1	1	1	1	2119085-1	FA HEAD, ATLANTIC STYLE	37
-	1	-	1	1	1	2119092-1	BOLT, ADJUSTMENT	35
-	1	1	1	1	1	1752356-6	SUPPORT, TERMINAL	34
-	2	2	2	2	2	2079383-5	SCR, BHSC, RoHS (M4 X 20)	33
-	1	1	1	1	1	2161328-1	HEX HEAD, FLANGED, M5 x 8mm LONG	32
-	1	1	1	1	1	1320908-3	SPACER, STRIP GUIDE	30
-	1	1	1	1	1	2119959-1	ASSEMBLY, STRIP GUIDE	29
-	1	1	1	1	1	1320928-2	STRIP GUIDE	24
-	1	1	1	1	1	2168083-2	SCR, SKT HD CAP, RoHS, M4 X 8.0	21
-	2	2	2	2	2	1-18028-2	WASHER, FLAT, REG M4	20
-	1	1	1	1	1	2119533-1	STRIPPER, SIDE FEED	19
-	1	1	1	1	1	2119806-1	INSERT, SHEAR	13
-	1	1	1	1	1	3-22280-3	SPRING, COMPRESSION	12
-	1	1	1	1	1	1-356885-4	STOP, SHEAR	11
-	1	1	1	1	1	2119805-1	SHEAR HOLDER, FRONT	10
-	1	1	1	1	1	1803095-3	FLOATING SHEAR, FRONT	9
-	1	1	1	1	1	4-1633917-0	ANVIL, COMBINATION	8
-	1	1	1	1	1	3-240641-9	SPACER	7
-	-	-	-	-	-	-	-	6
-	1	1	1	1	1	2119757-8	DEPRESSOR, SHEAR	5
-	1	1	1	1	1	4-238011-0	BLOCK, CRIMPER SPACER	4
-	1	1	1	1	1	1633966-8	CRIMPER, INSULATION O	3
-	-	-	-	-	-	-	-	2
-	1	1	1	1	1	3-1633713-1	CRIMPER, WIRE PREMIUM	1

DIMENSIONS:		TOLERANCES UNLESS OTHERWISE SPECIFIED:		OWN		CHK		APVD		NAME	
mm	0 PLC ±.5	1 PLC ±.5	2 PLC ±.13	3 PLC ±.013	4 PLC ±.0001	ANGLES ±.1	FINISH	Y. YIN	15JAN2015	G. BAILEY	15JAN2015
MATERIAL		FINISH		WEIGHT		SCALE		SHEET		REV	
-		-		-		1:2		1 OF 4		A	

Customer Accessible Production Drawing

LOC		DIST		REVISIONS			
A	66	P	LTM	DESCRIPTION	DATE	DWN	APVD
		-	-	SEE SHEET 1			

FEED TYPE MECHANICAL



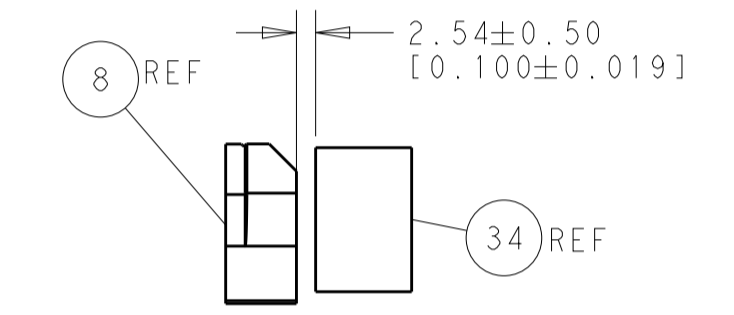
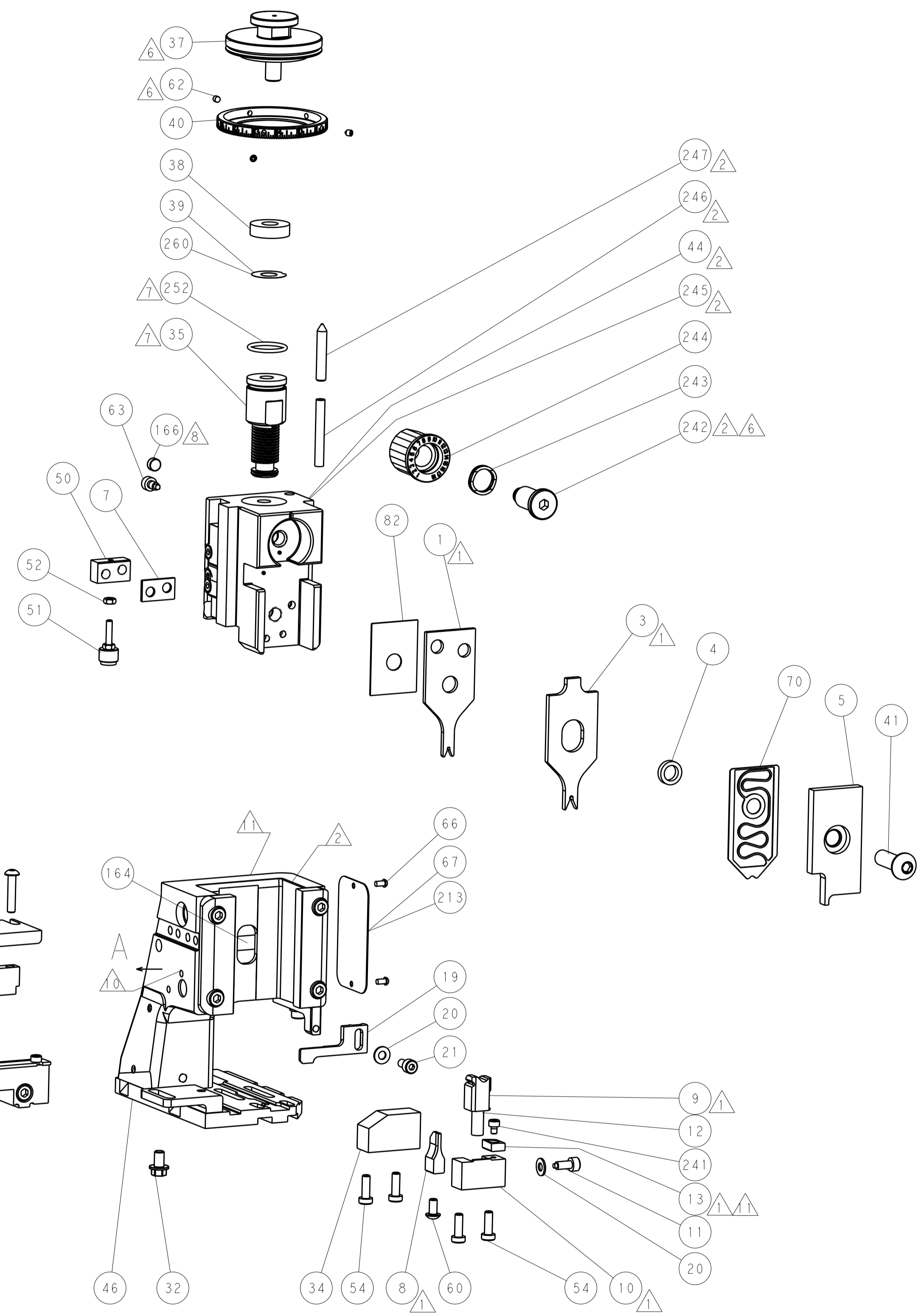
PNEUMATIC



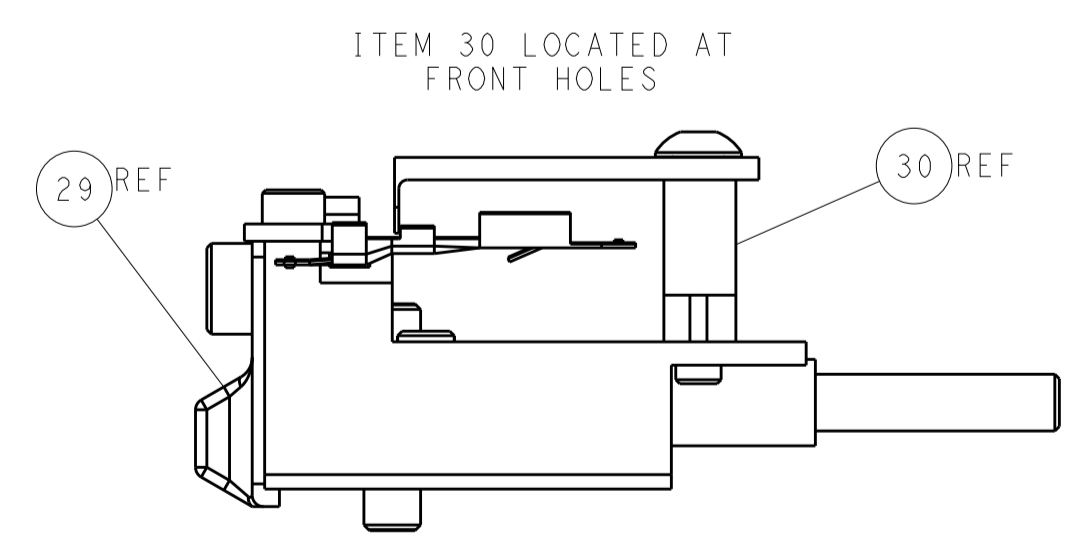
SERVO LATCH PLATE



CAM POSITIONS



TERMINAL SUPPORT LOCATION



FEED TRACK POSITION GUIDE BY INSULATION BARREL

ATLANTIC VERSION
 Shown on sheets 1 of 4 & 2 of 4
 (Pacific version shown on sheets 3 of 4 & 4 of 4)

DIMENSIONS:		TOLERANCES UNLESS OTHERWISE SPECIFIED:		DWN	15JAN2015	TE Connectivity Harrisburg, PA 17105-3608
mm	0 PLC ±0.5	1 PLC ±0.5	2 PLC ±0.13	CHK	15JAN2015	
	3 PLC ±0.013	4 PLC ±0.001	ANGLES ±0.0001	APVD	15JAN2015	NAME
MATERIAL:	FINISH:	WEIGHT:		Customer Accessible Production Drawing		SCALE
				A1 00779 ©=2266629		SHEET 2 OF 4 REV A

PACIFIC VERSION TERMINATOR INTERFACE ADAPTER	PART NUMBER	REVISION	DESCRIPTION	FEED TYPE	APPLICATOR STYLE CONVERSION CHART						
					CONVERT TO	PART NUMBERS REQUIRED					
	2-2266629-1	A	FINE CRIMP HEIGHT ADJUST	MECHANICAL	PNEUMATIC FEED	2119950-1	1338685-1	5-18022-5	2119641-2	2119799-1	2063440-1
	2-2266629-2	A	FINE CRIMP HEIGHT ADJUST	PNEUMATIC	SERVO LATCH PLATE	2119951-1	-	8-2266629-5	1901094-3	-	2168400-6 (QUANTITY 2)
					SMART APPLICATOR	2161326-1	-	8-2266629-4	-	-	
					MECHANICAL FEED	2119949-1	1338685-1	5-18022-5	2119653-2	-	-
	2-2266629-5	A	FINE CRIMP HEIGHT ADJUST	SERVO LATCH PLATE	SERVO LATCH PLATE	2119951-1	-	8-2266629-5	1901094-3	-	2168400-6 (QUANTITY 2)
					SMART APPLICATOR	2161326-1	-	8-2266629-4	-	-	
	2-2266629-7	A	FINE CRIMP HEIGHT ADJUST	NONE	MECHANICAL FEED	2119949-1	1338685-1	5-18022-5	2119653-2	-	-
					PNEUMATIC FEED	2119950-1	1338685-1	5-18022-5	2119641-2	2119799-1	2063440-1
	7-2266629-7	A	CRIMP TOOLING KIT	-	-	-	-	-	-	-	-

APPLICATOR DATA		
CRIMP	SIZE	TYPE
WIRE	1.40 mm [.055]	F
INSUL	1.86 mm [.073]	O
APPLICATOR INSTRUCTIONS 408-10389		

TERMINAL DATA: DELPHI PACKARD TERMINAL DELPHI CRIMP SPECIFICATION			
TERMINAL NAME: TERMINAL			
WIRE STRIP LENGTH 2.95-3.71 mm [1.16-.146 IN]		INSULATION DIAMETER RANGE Ø1.10-1.70 mm [.043-.067 IN]	
TERMINAL APPLICATION SPECIFICATION 15341541 PG 1 OR 11		-	-
TERMINALS APPLIED			
TE TERMINAL 2113141-1	DELPHI PACKARD TERMINAL 15341541	TE TERMINAL	DELPHI PACKARD TERMINAL

WIRE SIZE	CRIMP HEIGHT mm [INCH]	CRIMP HEIGHT REFERENCE SETTING
0.50mm2	1.05 +/- 0.05 [.041 +/- .002]	6.8
0.35mm2	0.95 +/- 0.05 [.037 +/- .002]	7.9

- RECOMMENDED SPARE PARTS
- GREASE BEARING SURFACES LIGHTLY
- LUBRICATE DAILY PER THE APPLICATOR INSTRUCTION SHEET SUPPLIED WITH THE APPLICATOR.
- APPLICATOR SPECIFIC DATA TO BE ENTERED INTO BLANK MEMORY CHIP AT ASSEMBLY. SEE BELOW FOR PART NUMBER:
 MECHANICAL FEED WITH "SMART APPLICATOR" CONVERSION: 8-2266629-4
 PNEUMATIC FEED WITH "SMART APPLICATOR" CONVERSION: 8-2266629-4
 SERVO FEED WITH "FINE CRIMP HEIGHT ADJUST": 8-2266629-5
- ADJUSTMENT OF THE STRIPPER MAY BE REQUIRED WHEN MOVING THE APPLICATOR BETWEEN BENCH AND LEADMAKER APPLICATIONS.
- APPLY PART NUMBER 1-23419-5 LOCTITE TO THREADS OF ITEM 62.
 APPLY PART NUMBER 2-23419-6 LOCTITE TO THREADS OF ITEM 242.
- GREASE THREADS, GROOVE AND O-RING ON ITEMS 139 & 152.
- MAGNET MUST BE ORIENTED CORRECTLY IN ORDER TO PROPERLY ACTUATE THE COUNTER.
- CRIMP HEIGHT REFERENCE SETTING WAS THE SETTING USED WHEN THE APPLICATOR WAS QUALIFIED AT THE FACTORY. ADJUSTMENT MAY BE NECESSARY WHEN RUNNING APPLICATOR IN THE FIELD.
- SPARE FEED CAM STORAGE LOCATION REFER TO INSTRUCTION SHEET FOR ADDITIONAL INFORMATION.
- TO CONVERT THE APPLICATOR TO A NON-CARRIER CUTTING STYLE, REMOVE ITEM 13 AND ATTACH TO THE LOCATION ON BACK SIDE OF THE HOUSING. REFER TO INSTRUCTION SHEET FOR ADDITIONAL INFORMATION.

***WARNING**
 ON INSTALLATION, SET WIRE DISC, ITEM 40 TO LARGEST WIRE SIZE SETTING. USE OF SETTINGS BELOW MINIMUM REQUIRED CRIMP HEIGHT SETTING WILL CAUSE DAMAGE TO CRIMP TOOLING.

PACIFIC VERSION
 Shown on sheets 3 of 4 & 4 of 4
 (Atlantic version shown on sheets 1 of 4 & 2 of 4)

SET UP GAUGE	LOC	DIST	REVISIONS			
2119599-1	A	66	REV	DATE	BY	APPD
-	-	-	1	SEE SHEET 1	-	-

REV	DATE	BY	APPD	DESCRIPTION	ITEM NO
-	-	-	-	2119782-1 FINE ADJUST HEAD ASM, PACIFIC STYLE	251
-	-	-	-	2119640-1 PUSH ROD, AIR FEED	250
-	-	-	-	2079988-1 BUSHING, LCH5-12, MISUMI	249
-	1	1	1	1-22279-3 SPRING, COMPRESSION	246
-	1	1	1	2119082-5 CAM, SNAIL, INSULATION ADJUSTMENT	244
-	1	1	1	2079764-1 WASHER, WAVE SPRING, CREST-TO-CREST	243
-	1	1	1	2119083-1 RETAINER, INSULATION DIAL	242
-	1	1	1	7-18023-7 SCR, SKT HD CAP M3 X 4.0	241
-	-	2	-	2168400-6 SHCS, LOW HEAD, RoHS, M5 X 16	240
-	-	-	-	2119580-1 MECHANICAL FEED ASSEMBLY	239
-	-	-	-	2063440-1 AIR FEED MODULE	238
-	-	1	-	2119740-2 TAG, IDENTIFICATION	213
-	-	1	-	1901094-3 SPACER, FEEDER	198
-	-	-	2	21045-3 RING, RETAIN, EXTERN, 3/16 CRESCENT	172
-	1	1	1	994969-1 MAGNET, RARE EARTH HIGH ENERGY	166
-	REF	REF	REF	994970-2 COUNTER, MAGNETIC	164
-	-	-	1	240638-1 SPRING, FEED FINGER	163
-	1	1	1	8-21084-1 O-RING, .801 ID, .070 DIA. MAT.	152
-	-	-	1	2119641-2 FEED CAM, AIR FEED	151
-	1	1	1	2119798-2 DETENT PIN	145
-	1	1	1	2079383-8 SCR, BHSC, RoHS (M4 X 16)	144
-	4	4	4	2168400-5 SHCS, LOW HEAD, RoHS, M4 X 20	143
-	-	-	-	2119653-2 FEED CAM, POST FEED	142
-	1	1	1	1-2119656-0 APPLICATOR BASIC ASSEMBLY, SF	141
-	1	1	1	2119650-1 RAM, ASIAN STYLE, SIDE FEED	140
-	1	1	1	2119092-2 BOLT, ADJUSTMENT	139
-	-	-	1	3-23627-7 PIN, RETAIN, GRVD, 3/16 X .854	137
-	-	-	1	2119799-1 HOLDER, FEED FINGER, AF	136
-	-	REF	-	SEE NOTE 4 MEMORY CHIP, PROGRAMMED	135
-	-	1	-	1633743-1 SERVO FEED LATCH ASM	133
-	-	REF	-	2119944-1 FEED FINGER ASSEMBLY, SF	117
-	1	1	1	455888-5 SPACER, CRIMPER	82
-	1	1	1	2119956-1 DOCUMENTATION PACKAGE	71
-	1	1	1	2119791-9 DEPRESSOR, WIRE	70
-	1	-	1	2119740-1 TAG, IDENTIFICATION	67
-	2	2	2	2168078-1 SCREW, DRIVE, RH, RoHS, 2 x .188	66
-	1	1	1	2119793-1 LIMITER, ADJUSTMENT BOLT	63
-	3	3	3	992763-5 SCR, SET, SOC, CONE POINT, M3 X 4.0	62
-	-	-	1	5-18022-5 SCR, HEX HD CAP, M4 X 6.0	59
-	-	-	1	1338685-1 PAWL, FEED	56
-	2	2	2	2168083-3 SCR, SKT HD CAP, RoHS, M4 X 12.0	53
-	1	1	1	5018030-1 NUT, HEX, REG, RoHS, M3	52
-	1	1	1	811242-5 BUMPER, HOLD DOWN	51
-	1	1	1	690753-2 SPACER, TONKER	50
-	-	-	1	18023-9 SCR, SKT HD CAP M4 X 6.0	49
-	-	-	1	2119652-1 FEED CAM, PRE FEED	48
-	1	1	1	2079383-7 SCR, BHSC, RoHS (M8 X 25)	41
-	1	1	1	2119645-1 DISC, NUMBERED FA WIRE ADJUSTMENT	40
-	1	1	1	2119957-1 APPLICATOR SHIM PACK	39
-	1	1	1	2119644-1 RAM WASHER, PRECISION	38
-	1	1	1	1752356-6 SUPPORT, TERMINAL	34
-	2	2	2	2079383-5 SCR, BHSC, RoHS (M4 X 20)	33
-	1	1	1	2161328-1 HEX HEAD, FLANGED, M5 X 8mm LONG	32
-	1	1	1	1320908-3 SPACER, STRIP GUIDE	30
-	1	1	1	2119959-1 ASSEMBLY, STRIP GUIDE	29
-	1	1	1	1320928-2 STRIP GUIDE	24
-	1	1	1	2168083-2 SCR, SKT HD CAP, RoHS, M4 X 8.0	21
-	2	2	2	1-18028-2 WASHER, FLAT, REG M4	20
-	1	1	1	2119533-1 STRIPPER, SIDE FEED	19
-	1	1	1	2119806-1 INSERT, SHEAR	13
-	1	1	1	3-22280-3 SPRING, COMPRESSION	12
-	1	1	1	1-356885-4 STOP, SHEAR	11
-	1	1	1	2119805-1 SHEAR HOLDER, FRONT	10
-	1	1	1	1803095-3 FLOATING SHEAR, FRONT	9
-	1	1	1	4-1633917-0 ANVIL, COMBINATION	8
-	1	1	1	3-240641-9 SPACER	7
-	-	-	-	-	6
-	1	1	1	2119757-8 DEPRESSOR, SHEAR	5
-	1	1	1	4-238011-0 BLOCK, CRIMPER SPACER	4
-	1	1	1	1633966-8 CRIMPER, INSULATION O	3
-	-	-	-	-	2
-	1	1	1	3-1633713-1 CRIMPER, WIRE PREMIUM	1

DIMENSIONS:		TOLERANCES UNLESS OTHERWISE SPECIFIED:		OWN	DATE	NAME
mm	0 PLC ±.5	1 PLC ±0.5	2 PLC ±0.13	Y. YIN	15JAN2015	TE Connectivity
	3 PLC ±0.013	4 PLC ±0.001	ANGLES ±.1	G. BAILEY	15JAN2015	Harrisburg, PA 17105-3608
MATERIAL	FINISH	WEIGHT	SCALE	APVD	DATE	PRODUCT SPEC
-	-	-	1:2	H. GUO	15JAN2015	Ocean Side Feed Applicator
Customer Accessible Production Drawing				SHEET	3	OF 4

LOC	DIST	REVISIONS					
A	66	P	LTH	DESCRIPTION	DATE	DWN	APVD
-	-	-	-	SEE SHEET 1	-	-	-

FEED TYPE MECHANICAL



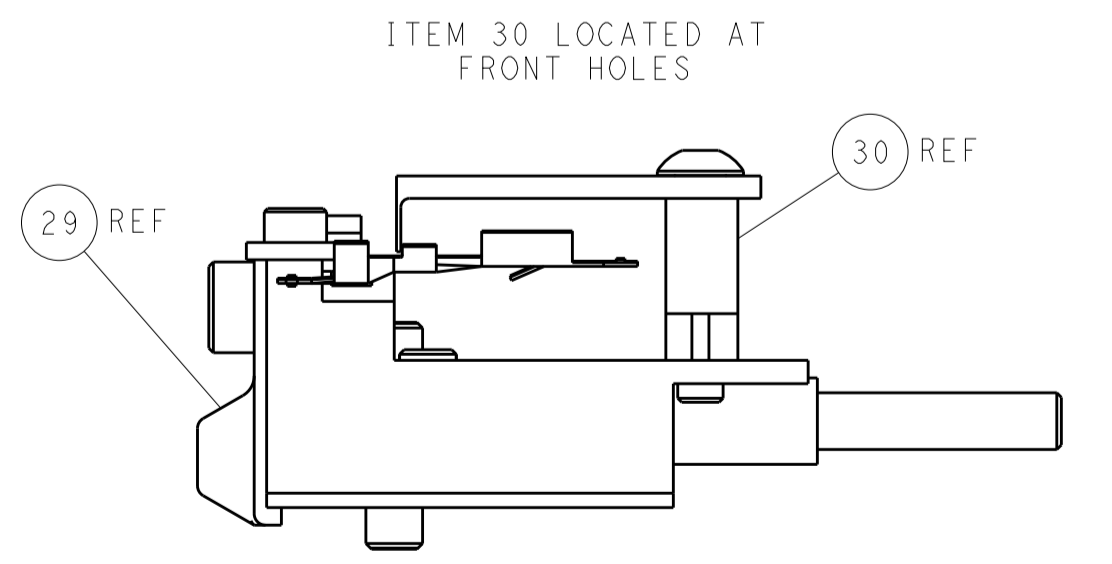
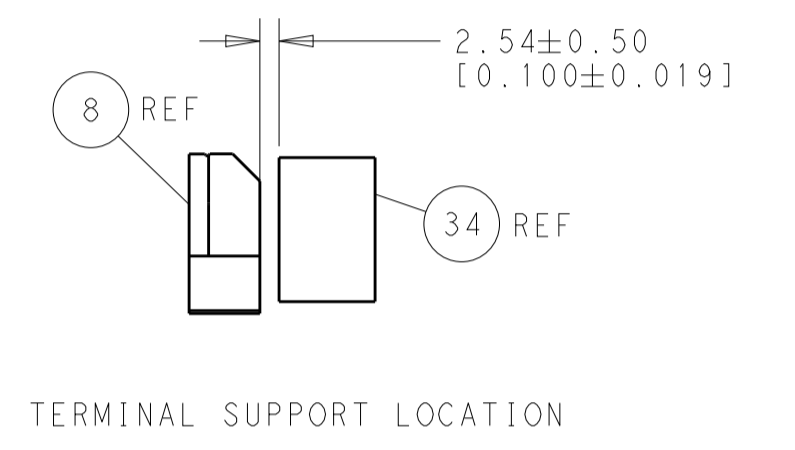
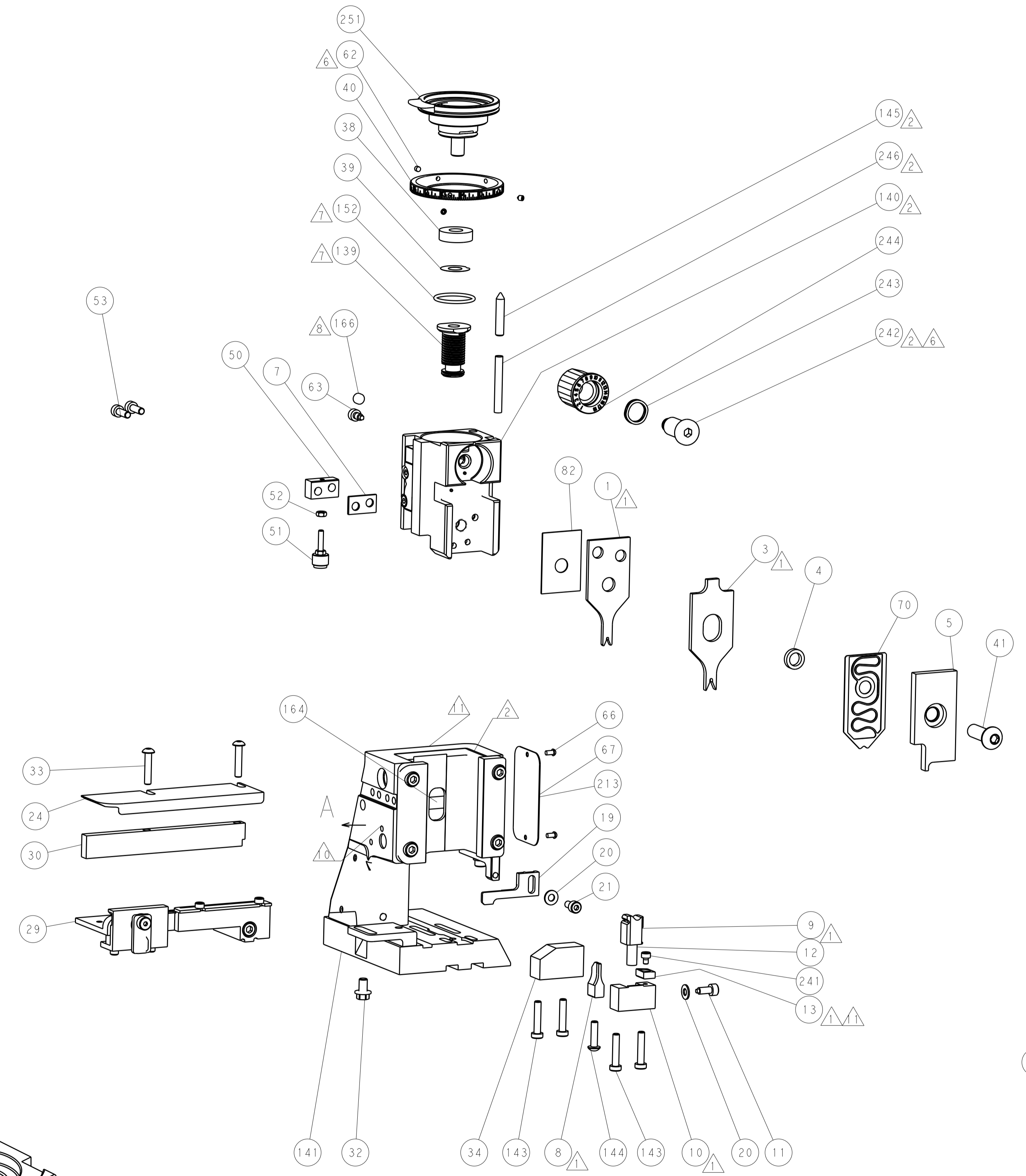
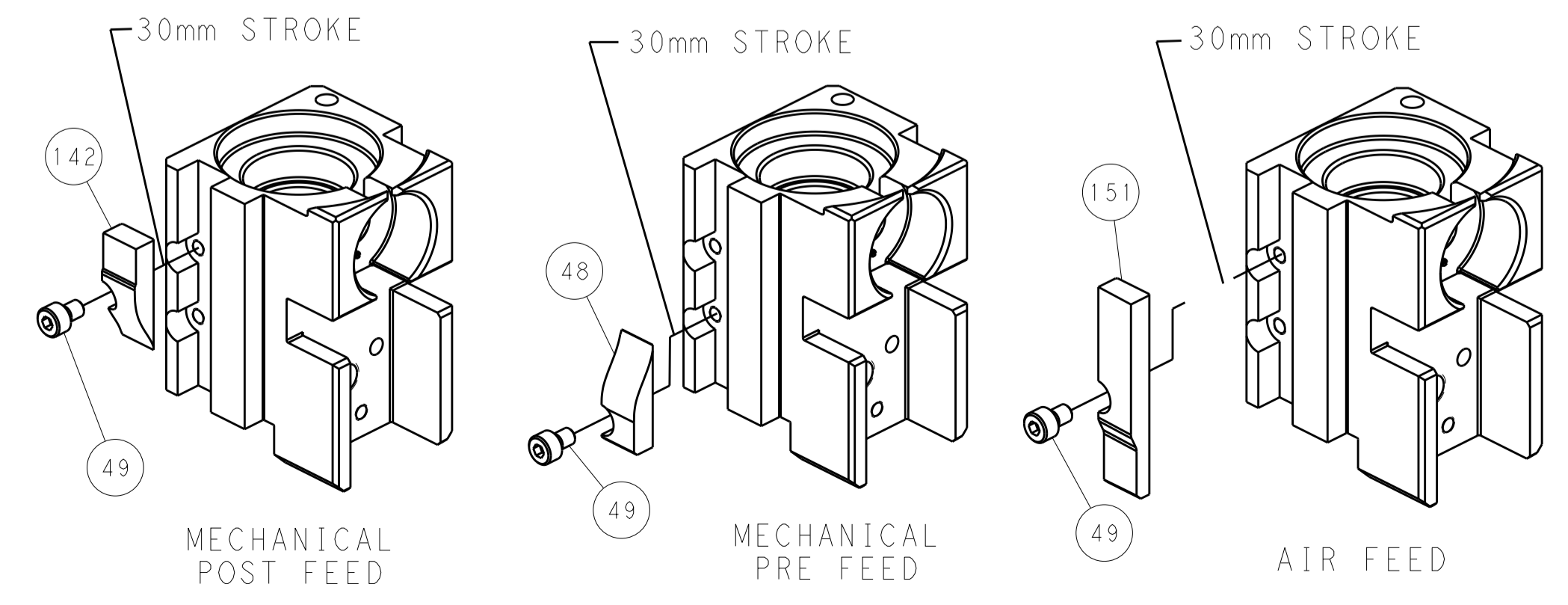
PNEUMATIC



SERVO LATCH PLATE



CAM POSITIONS



PACIFIC VERSION
 Shown on sheets 3 of 4 & 4 of 4
 (Atlantic version shown on sheets 1 of 4 & 2 of 4)

DIMENSIONS:		TOLERANCES UNLESS OTHERWISE SPECIFIED:		DWN: Y. YIN 15JAN2015		CHK: G. BAILEY 15JAN2015		APVD: H. GUO 15JAN2015		NAME: Ocean Side Feed Applicator	
mm	0 PLC ±0.5	1 PLC ±0.5	2 PLC ±0.13	3 PLC ±0.013	4 PLC ±0.001	ANGLES ±	MATERIAL:		SIZE: A	CAGE CODE: 00779	DRAWING NO: C=2266629
FINISH:				WEIGHT:		SCALE: 1:2		SHEET: 4 of 4		REV: A	