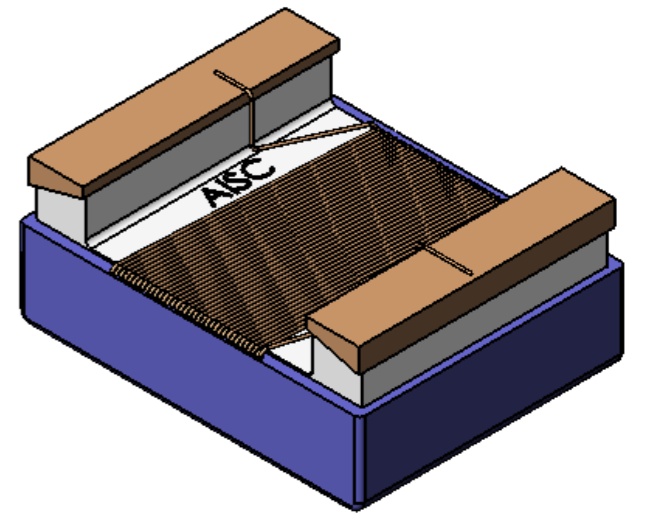
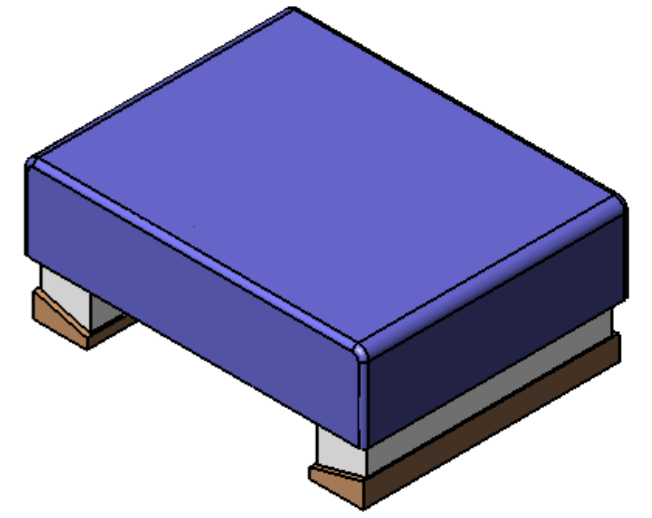
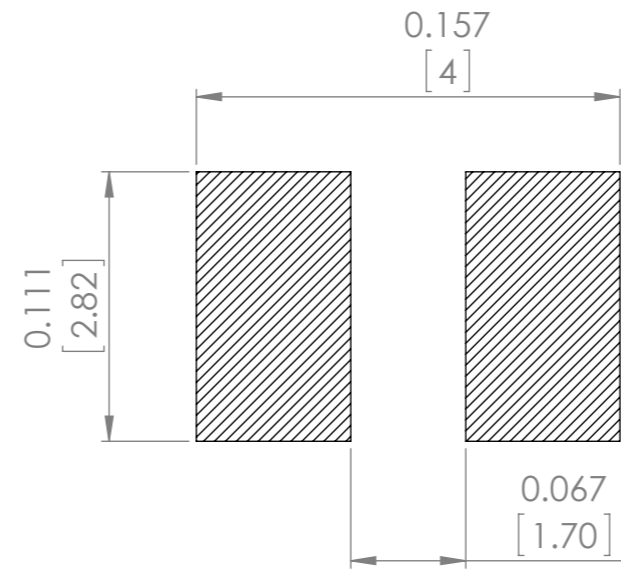



Recommended Land Pattern



UNLESS OTHERWISE SPECIFIED: DIMENSIONS ARE IN INCH(MM) SURFACE FINISH: TOLERANCES: LINEAR: ANGULAR:				FINISH:		DEBUR AND BREAK SHARP EDGES		DO NOT SCALE DRAWING		REVISION -	
DRAWN SAAZVAT				SIGNATURE		DATE		 <p>ABRACON CORPORATION 30332 Esperanza, Rancho Santa margarita, California 92688</p>			
CHK'D XXXXXX											
APPV'D											
MFG											
Q.A											
						MATERIAL:		TITLE: Wirewound		DWG NO. AISC-1210HS	
						WEIGHT:		SCALE:20:1		SHEET 1 OF 1	