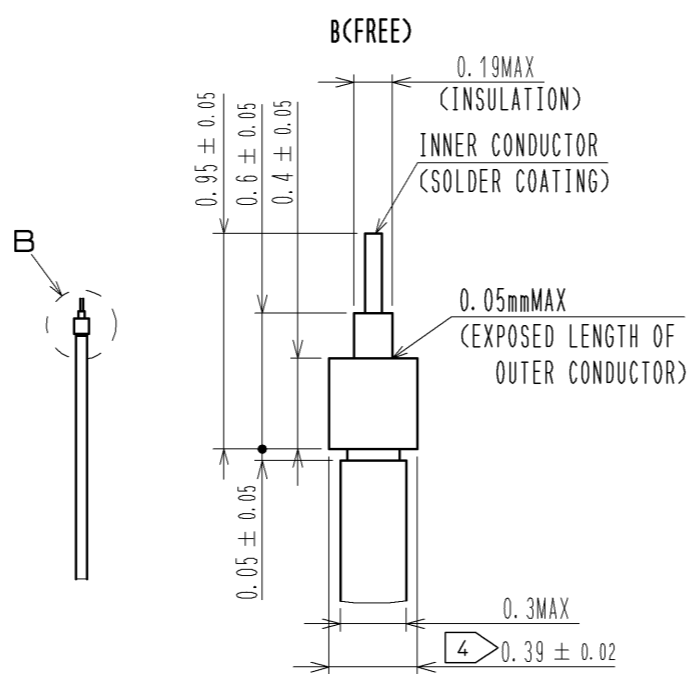
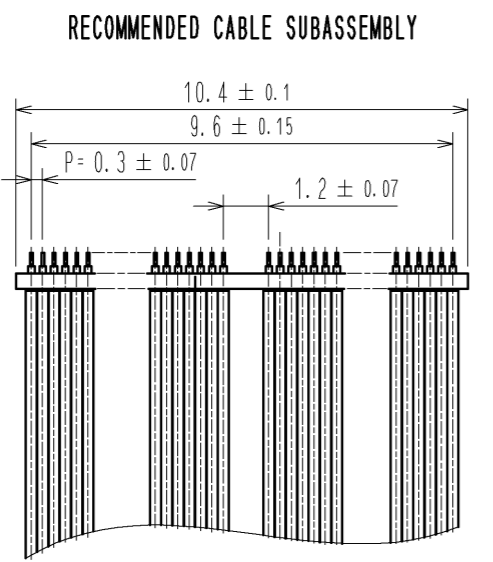


ITEM No.	PART NAME	PART No.	CODE No.
1, 2, 3	CONNECTOR UNIT	DF56-30P-0.3SD(51)	CL662-5617-3-51
-	METAL SHIELDING	DF56-30P-SHL	CL662-5618-6-00

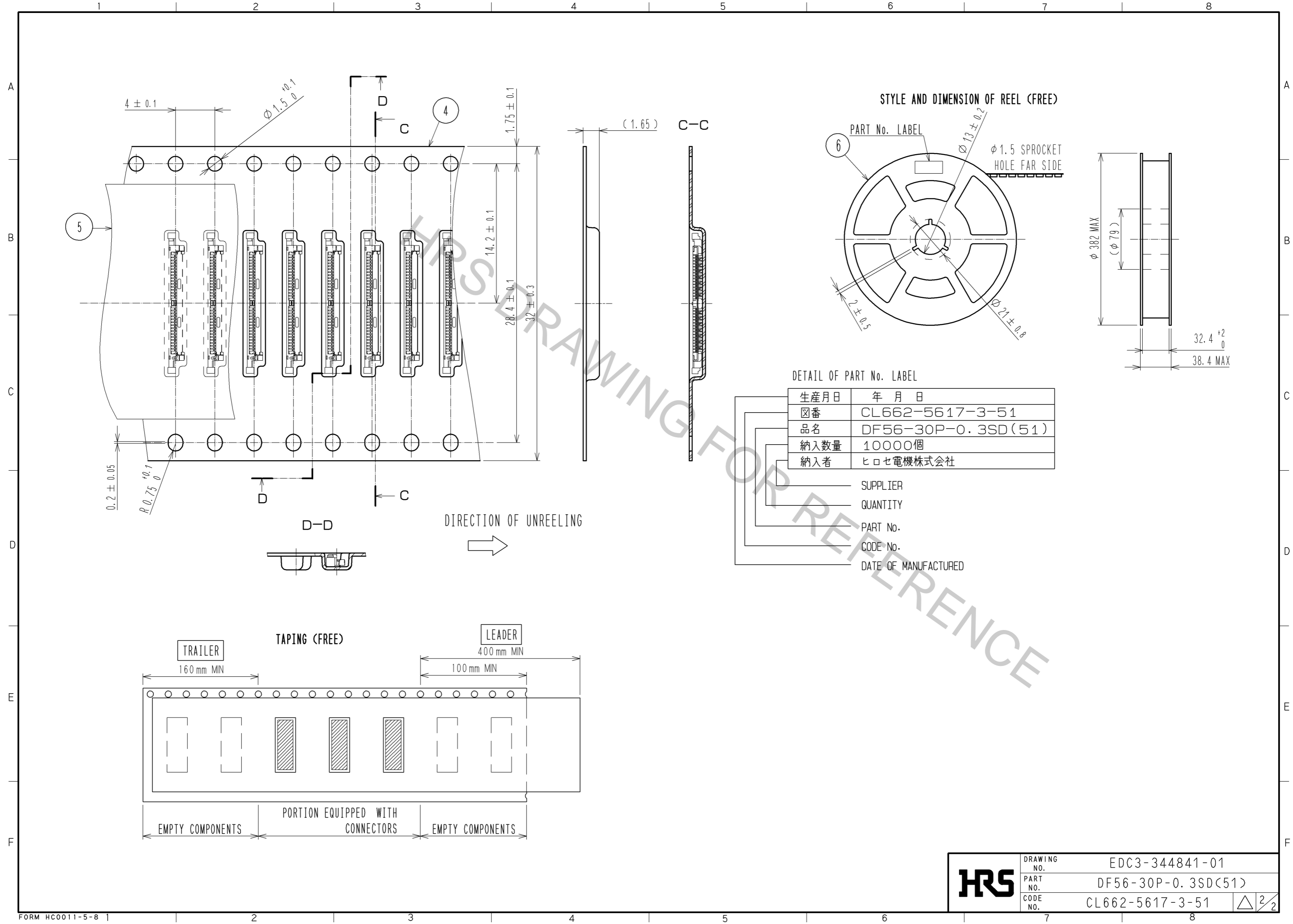
- NOTES
1. APPLICABLE CABLE: MICRO COAXIAL CABLE (AWG#42~AWG#46)
 2. THIS CONNECTOR IS NOT HOT PLUGGABLE. MATE AND UNMATE WHITE WHILE THE POWER IS OFF.
 3. THE ASSEMBLY IS COMPLETED BY COMBINING TWO PARTS 'CONNECTOR UNIT, AND METAL SHIELDING'. REFER TO THE TABLE FOR EACH ITEM No., PART NAME, PART No AND CODE No.
 4. SOLDER A GRAND BAR WITH AN EXTERNAL CONDUCTOR OF THE CABLE ABOUT STICKING A GRAND BAR TOGETHER.
 5. PLEASE CONSULT ABOUT THE USE OF THE POTTING AND KAPTON TAPE SEPARATELY.



NO.	MATERIAL	FINISH	REMARKS	NO.	MATERIAL	FINISH	REMARKS
2	PHOSPHOR BRONZE	CONTACT AREA : Au PLATING 0.1 μm min TERMINATION AREA : Au PLATING 0.1 μm min UNDER PLATING : Ni PLATING 1 μm min		6	PS	BLACK	
1	LCP	UL94V-0 . BLACK		5	POLYESTER	CLEAR	
				4	PS	CLEAR	
				3	STAINLESS	WHOLE AREA : Sn PLATING 1 μm min UNDER PLATING : Ni 0.2 μm min	

UNITS	SCALE	COUNT	DESCRIPTION OF REVISIONS	DESIGNED	CHECKED	DATE
mm	FREE	△				

APPROVED : TS. SAKATA	12.06.12	DRAWING NO.	EDC3-344841-01
CHECKED : HS. OZAWA	12.06.12	PART NO.	DF56-30P-0.3SD(51)
DESIGNED : TP. MATSUMOTO	12.06.12	CODE NO.	CL662-5617-3-51
DRAWN : TP. MATSUMOTO	12.06.12		



DETAIL OF PART No. LABEL

生産月日	年月日
☒番	CL662-5617-3-51
品名	DF56-30P-0.3SD(51)
納入数量	10000個
納入者	ヒロセ電機株式会社

- SUPPLIER
- QUANTITY
- PART No.
- CODE No.
- DATE OF MANUFACTURED

HRS	DRAWING NO.	EDC3-344841-01
	PART NO.	DF56-30P-0.3SD(51)
	CODE NO.	CL662-5617-3-51
		△ 2/2