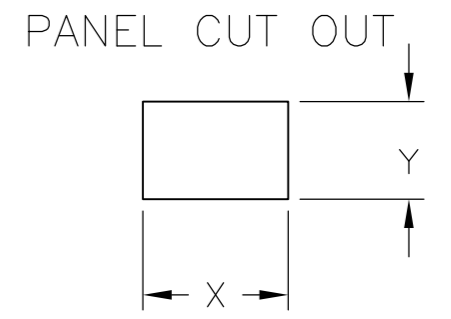
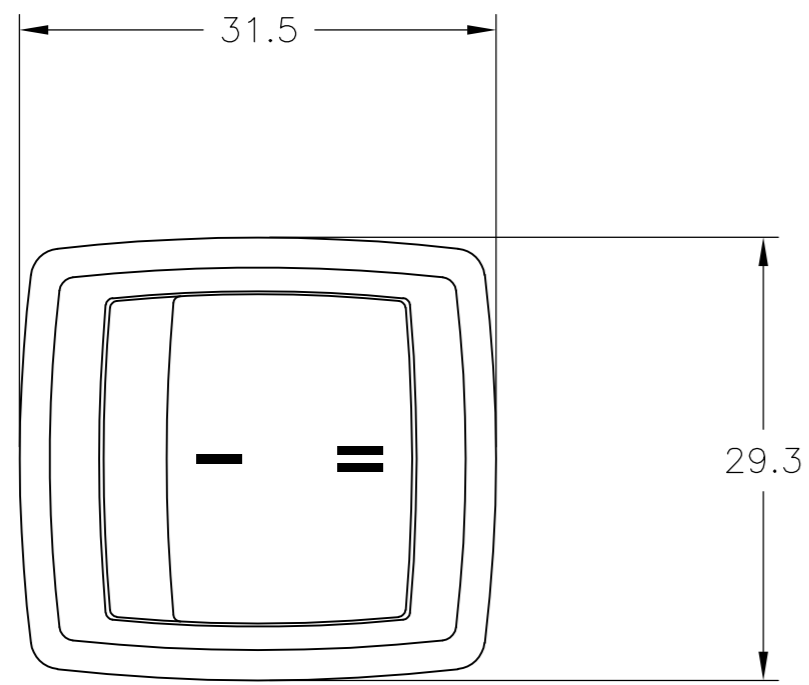
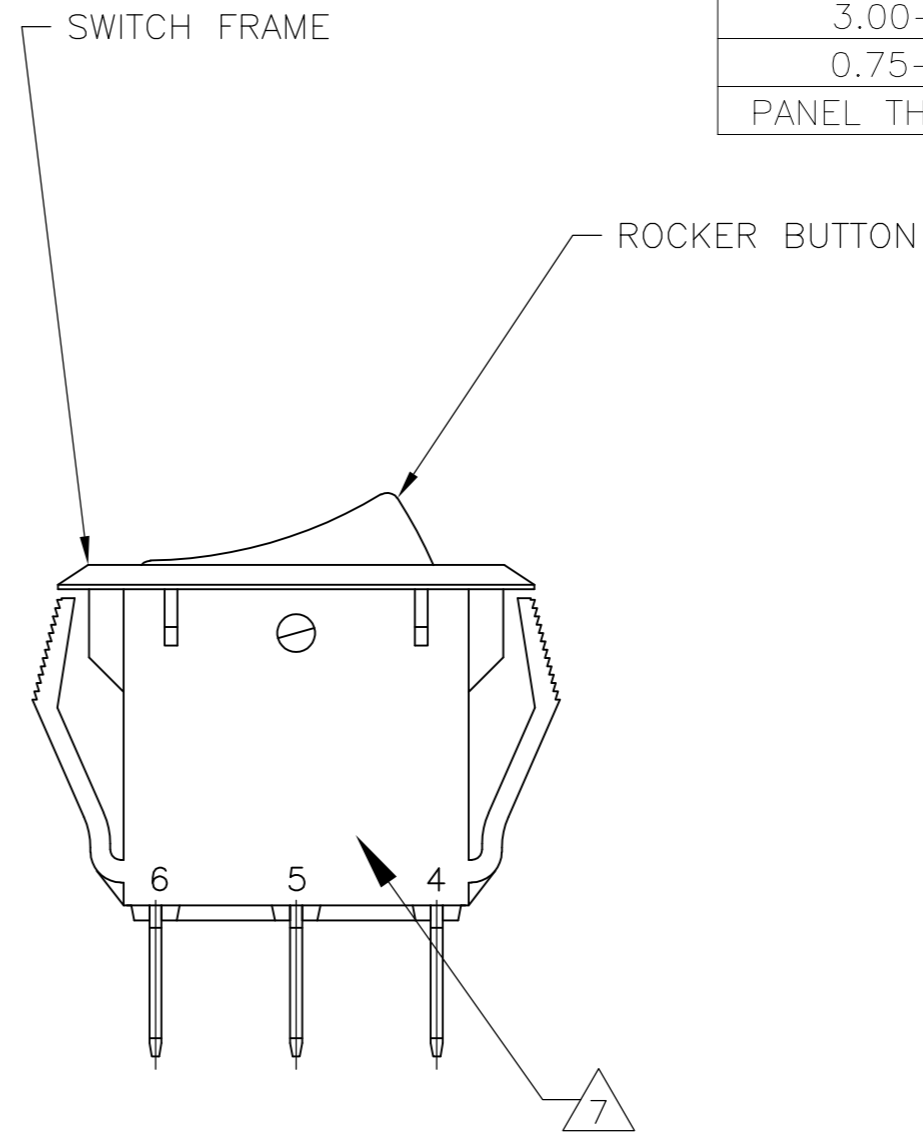
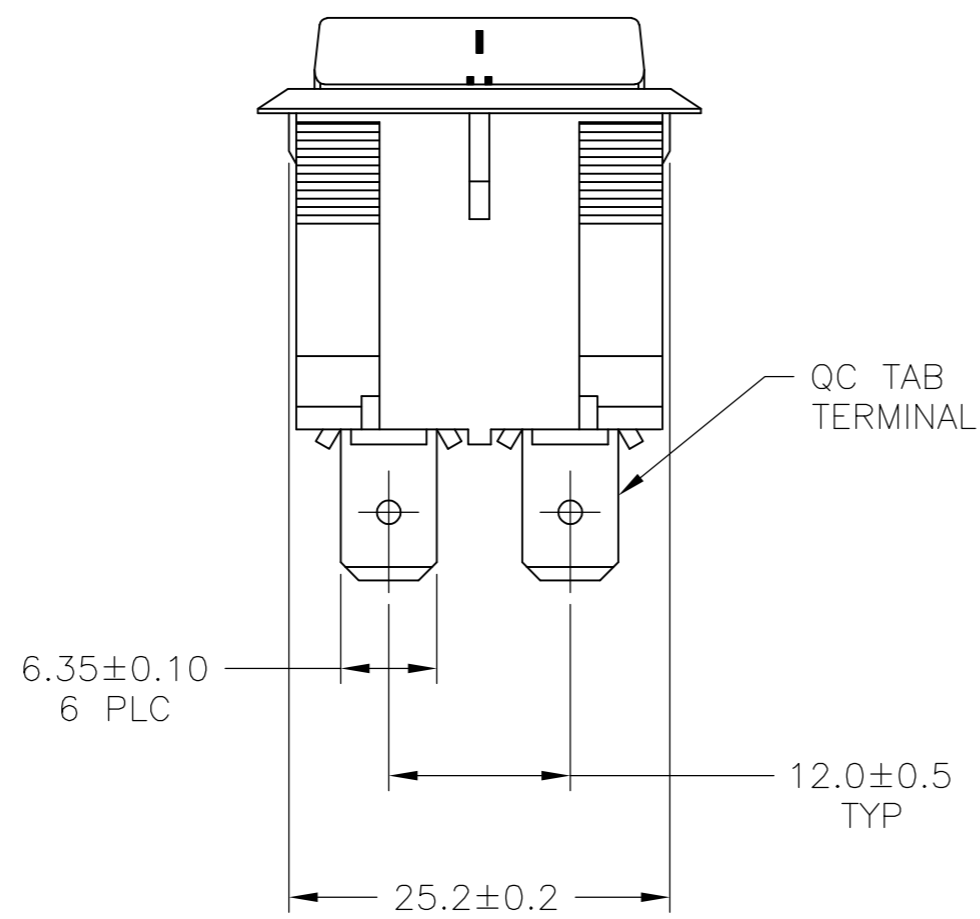
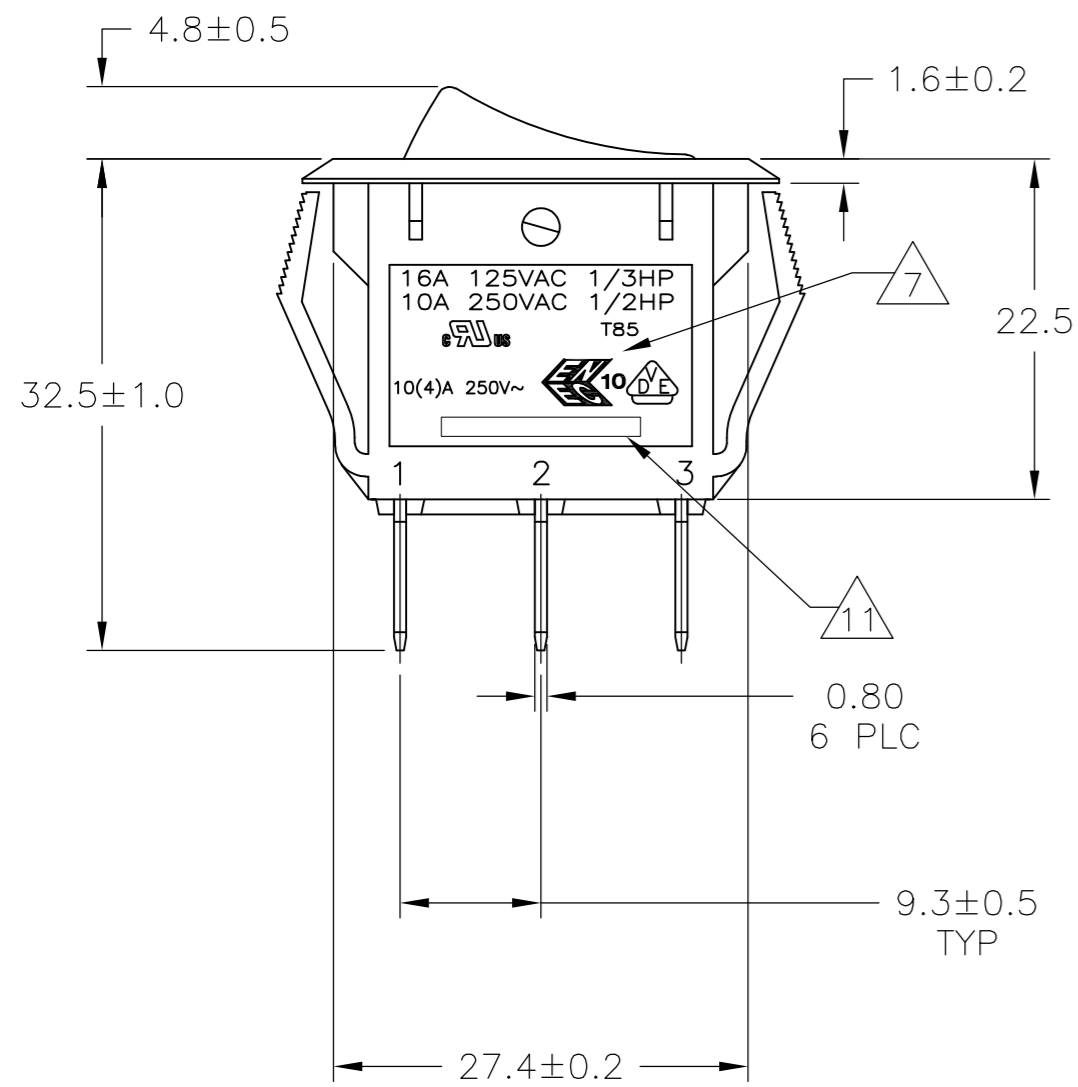


THIS DRAWING IS UNPUBLISHED. RELEASED FOR PUBLICATION
 © COPYRIGHT BY TYCO ELECTRONICS CORPORATION. ALL INTERNATIONAL RIGHTS RESERVED.

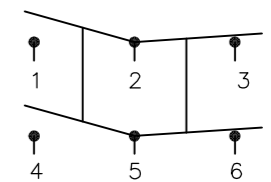
| LOC | | DIST | | REVISIONS | | | |
|-----|-----|-------------|---------------------------|-----------|---------|------|----|
| P | LTR | DESCRIPTION | | DATE | DWN | APVD | |
| AD | 00 | E1 | REVISED PER ECO-10-005254 | | 19MAR10 | HMR | NE |



| | | |
|-----------------|----------|----------|
| 5.00-6.30 | 28.6-0.1 | 25.4+0.1 |
| 3.00-5.00 | 28.0-0.1 | 25.4+0.1 |
| 0.75-3.00 | 27.6-0.1 | 25.4+0.1 |
| PANEL THICKNESS | X | Y |



SWITCH FUNCTION D1
CIRCUIT DIAGRAM

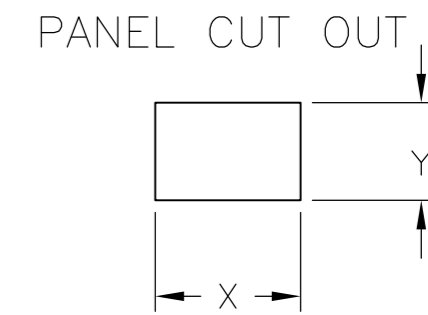
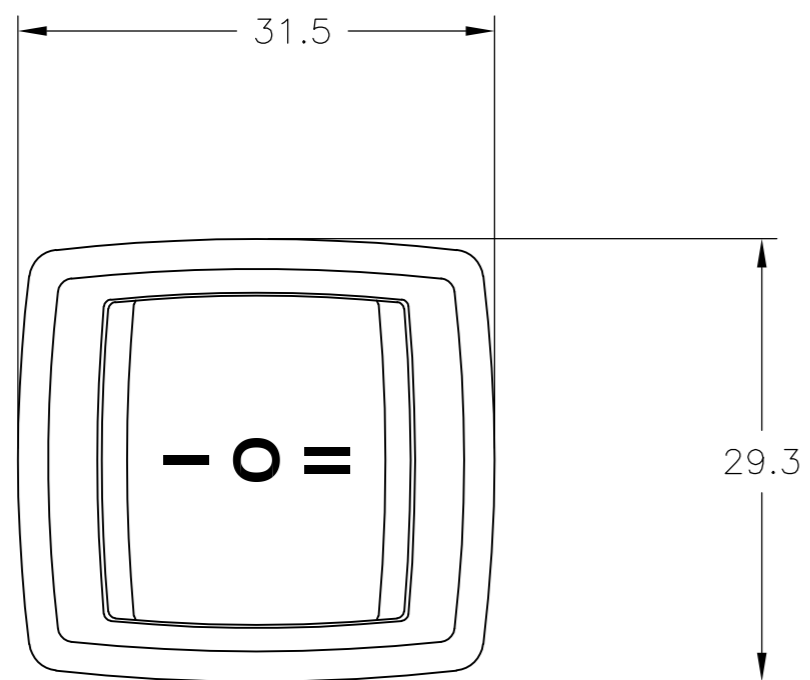


1571113-2 SHOWN

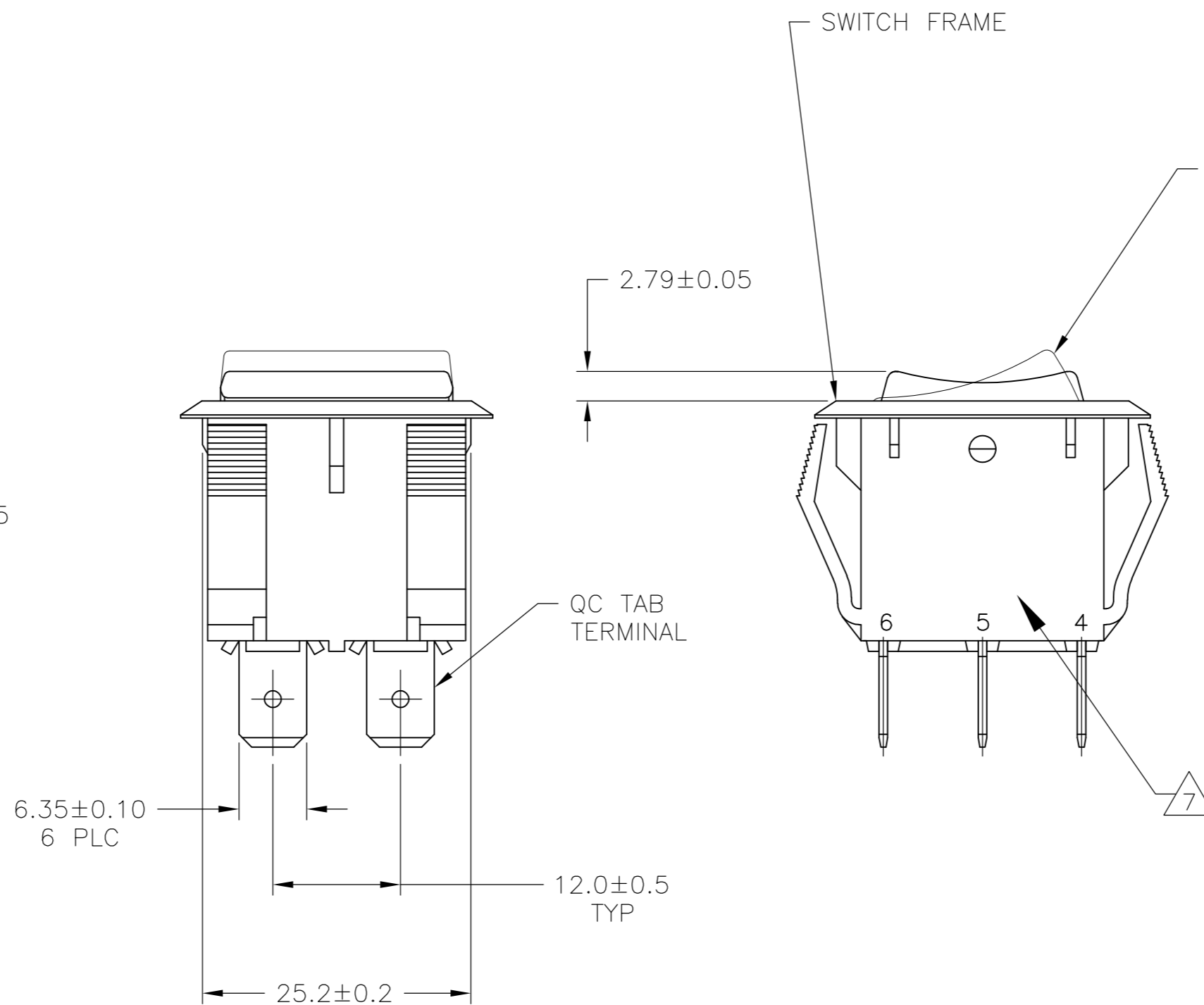
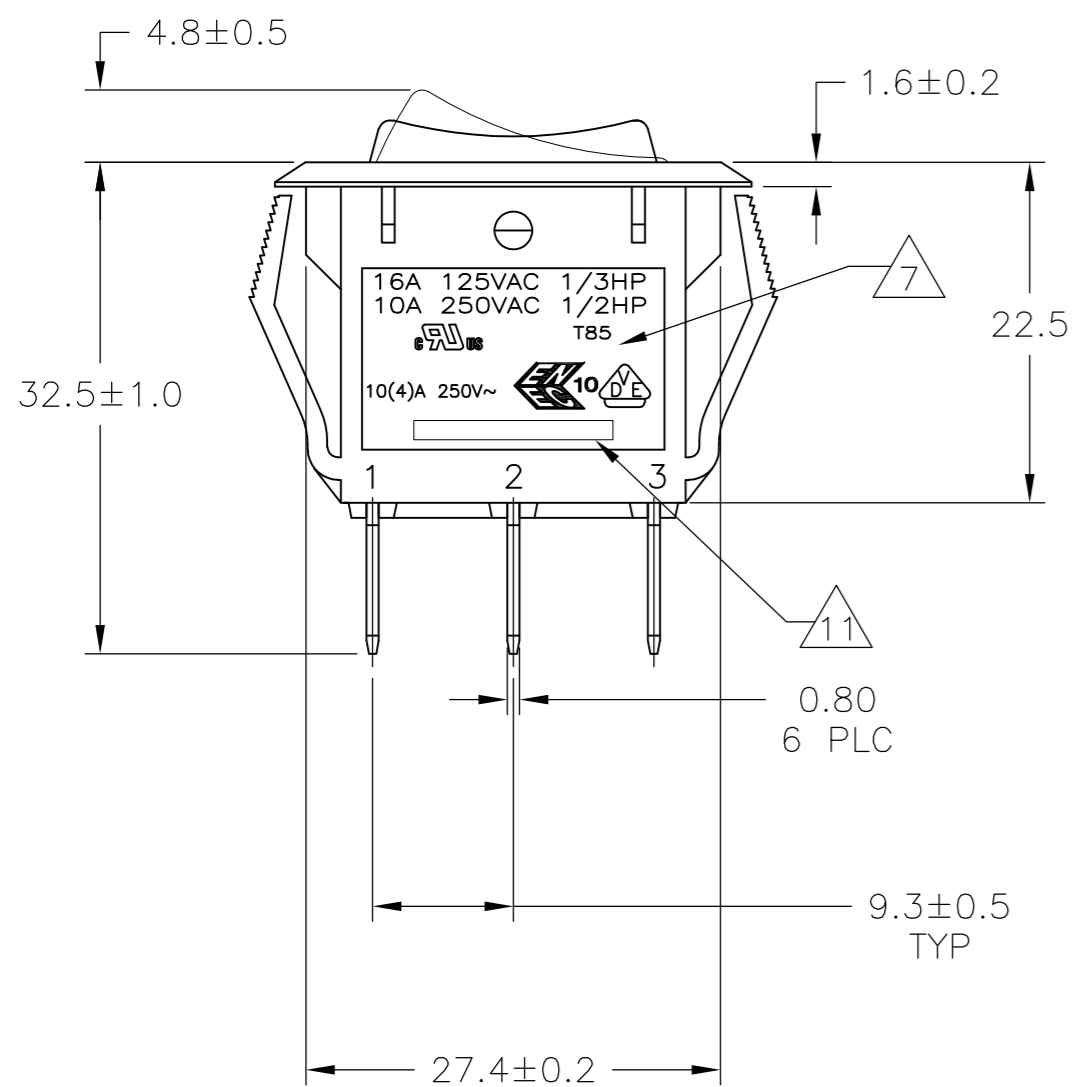
| | | | | | |
|--|--|------------------------------------|------------|--|--------------------|
| THIS DRAWING IS A CONTROLLED DOCUMENT. | | DWN M BINNER | 25FEB2002 | Tyco Electronics Corporation Harrisburg, PA 17105-3608 | |
| DIMENSIONS: mm | | CHK J.MOSIER | APVD JP | NAME POWER ROCKER SWITCH, 25.4mm X 27.6mm PANEL CUT-OUT SIZE, DOUBLE POLE, SIX TERMINALS, NON-ILLUMINATED | |
| TOLERANCES UNLESS OTHERWISE SPECIFIED: | | PRODUCT SPEC NOT APPLICABLE | | SIZE A2 | CAGE CODE 00779 |
| MATERIAL | | APPLICATION SPEC NOT APPLICABLE | | DRAWING NO 1571113 | |
| FINISH | | WEIGHT - | | RESTRICTED TO - | |
| CUSTOMER DRAWING | | SCALE 2:1 | | SHEET 1 OF 3 | |
| | | | | REV E1 | |

THIS DRAWING IS UNPUBLISHED. RELEASED FOR PUBLICATION
 © COPYRIGHT BY TYCO ELECTRONICS CORPORATION. ALL INTERNATIONAL RIGHTS RESERVED.

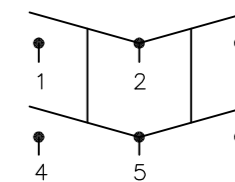
| LOC | DIST | REVISIONS | | | |
|-----|------|-------------|------|-----|------|
| P | LTR | DESCRIPTION | DATE | DWN | APVD |
| AD | 00 | SEE SHEET 1 | - | - | - |



| | | |
|-----------------|----------|----------|
| 5.00-6.30 | 28.6-0.1 | 25.4+0.1 |
| 3.00-5.00 | 28.0-0.1 | 25.4+0.1 |
| 0.75-3.00 | 27.6-0.1 | 25.4+0.1 |
| PANEL THICKNESS | X | Y |



SWITCH FUNCTION D3
CIRCUIT DIAGRAM



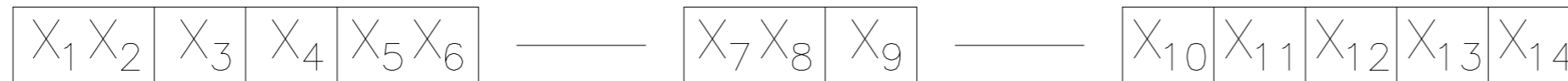
1571113-5 SHOWN

| | | | | | |
|---|--|--------------------------------|------------|--|--------------------|
| THIS DRAWING IS A CONTROLLED DOCUMENT. | | DWN M BINNER | 25FEB2002 | Tyco Electronics Corporation Harrisburg, PA 17105-3608 | |
| DIMENSIONS: mm | | CHK J.MOSIER | APVD JP | NAME POWER ROCKER SWITCH, 25.4mm X 27.6mm PANEL CUT-OUT SIZE, DOUBLE POLE, SIX TERMINALS, NON-ILLUMINATED | |
| TOLERANCES UNLESS OTHERWISE SPECIFIED: 0 PLC ± - 1 PLC ± 0.30 2 PLC ± 0.05 3 PLC ± - 4 PLC ± - ANGLES ± - | | PRODUCT SPEC NOT APPLICABLE | | SIZE A2 | CAGE CODE 00779 |
| MATERIAL 1 | | FINISH 2 | | DRAWING NO 1571113 | RESTRICTED TO - |
| CUSTOMER DRAWING | | | | SCALE 2:1 | SHEET 2 OF 3 |
| | | | | REV E1 | |

THIS DRAWING IS UNPUBLISHED. RELEASED FOR PUBLICATION
 © COPYRIGHT BY TYCO ELECTRONICS CORPORATION. ALL INTERNATIONAL RIGHTS RESERVED.

| LOC | DIST | REVISIONS | | | |
|-----|------|-------------|------|-----|------|
| P | LTR | DESCRIPTION | DATE | DWN | APVD |
| AD | 00 | SEE SHEET 1 | - | - | - |

LEGACY PART NUMBER



SWITCH TYPE: X1 X2 = PR - POWER ROCKER

NOMINAL PANEL CUT OUT SIZE: X3 = D - 25.4x27.6

NUMBER OF POLES: X4 = D - DOUBLE

SWITCH FUNCTION: X5 X6 = D1 - ON-ON, WITH OPAQUE, SINGLE-COLOR ROCKER BUTTON.

D3 - ON-OFF-ON, WITH OPAQUE, SINGLE-COLOR ROCKER BUTTON.

CURRENT RATING: X7 X8 = 16 - 6

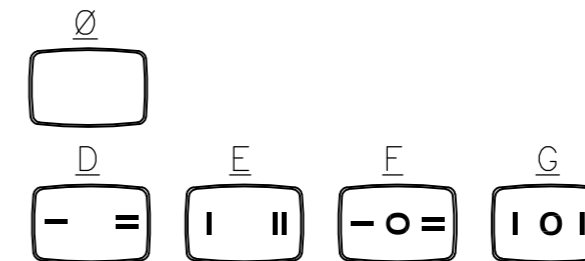
TERMINAL TYPE: X9 = E - QC TAB

FRAME COLOR: X10 = B - BLACK
W - WHITE

ROCKER COLOR: X11 = B - BLACK
G - GREEN
R - RED
W - WHITE

SECONDARY ROCKER COLOR: X12 = Ø - NOT APPLICABLE

LEGEND TEXT PATTERN: X13 =



LEGEND TEXT COLOR: X14 = Ø - NOT APPLICABLE

G - GREEN
R - RED
B - BLACK
W - WHITE

1

MATERIALS:
 ROCKER BUTTON & HOUSING: NYLON 66, UL 94 V-2.
 TERMINAL, ACTIVE CONTACTOR: COPPER ALLOY PER ASTM B152/B152M
 PLUNGER: COPPER ALLOY PER ASTM B036
 SPRING: STEEL WIRE PER ASTM A228/A228M
 CONTACT: SILVER-TIN OXIDE

2

FINISH:
 TERMINAL, ACTIVE CONTACTOR: 1.0µm MIN SILVER
 PLUNGER: 3.0µm MIN NICKEL

3

ELECTRICAL SPECIFICATIONS:
 CURRENT & VOLTAGE 6
 CONTACT RESISTANCE (INITIAL): <50mΩ
 DIELECTRIC STRENGTH (INITIAL): >1000 VAC, 1 MINUTE
 INSULATION RESISTANCE (INITIAL): >100MΩ MIN (500VDC BETWEEN OPEN CONTACTS)
 INRUSH CURRENT: 50A / 3msec (CAPACITIVE LOAD)
 ELECTRICAL LIFE ENDURANCE: >6000 OPERATIONS,
 TEMPERATURE RISE AT TERMINALS: <30°C, 6000 OPERATIONS
 (AMBIENT CONDITIONS: 25±2°C AND 65±5%RH)

5

ENVIRONMENTAL SPECIFICATIONS:
 AMBIENT TEMPERATURE: -20°C TO +85°C
 HUMIDITY: MAX 85%
 SALT SPRAY: NO REMARKABLE RUST IN METAL PARTS (5% SALT / 35°C 24HRS)
 SHOCK: NO MECHANICAL DEFECT OR DAMAGE (100g / 10MSEC/ X,Y,Z 3 TIMES)
 VIBRATION: NO MECHANICAL DEFECT OR DAMAGE (10-55Hz / 1.5mm/ X,Y,Z 2HRS)

6

UL: 16A@125VAC 1/3HP / 10A@250VAC 1/2HP
 ENEC: 10(4)A 250V~

7

ELECTRICAL RATINGS, APPROVED AGENCY LOGOS,
 TERMINAL IDENTIFICATION NUMBERS, MOLDED APPROXIMATELY AS
 SHOWN ON THE SIDES OF THE SWITCH HOUSING.

8

COMPONENT-RECOGNIZED TO US & CANADIAN STANDARDS
 UL FILE NO. E46765

9

COMPONENT-RECOGNIZED TO EUROPEAN STANDARDS
 (ENEC & VDE) MARKS LICENSE NO 40020317

10

ROHS 2002/95/EC COMPLIANT

11

TYCO ELECTRONICS LOGO LOCATED APPROXIMATELY AS SHOWN

| | | |
|---|------------------|-------------|
| 2 | PRDDD3-16F-BR000 | 5-1571113-7 |
| 2 | PRDDD3-16F-BB0GW | 1571113-6 |
| 2 | PRDDD3-16F-BB0FW | 1571113-5 |
| 2 | PRDDD3-16F-BB000 | 1571113-4 |
| 1 | PRDDD1-16F-BB0EW | 1571113-3 |
| 1 | PRDDD1-16F-BB0DW | 1571113-2 |
| 1 | PRDDD1-16F-BB000 | 1571113-1 |

| SHEET REF. | LEGACY PART NUMBER | PART NUMBER |
|------------|--------------------|-------------|
|------------|--------------------|-------------|

4

MECHANICAL SPECIFICATIONS:
 ACTUATING FORCE: 850g MIN, 1250g MAX
 OPERATING LIFE ENDURANCE: >100,000 OPERATIONS
 TERMINAL STRENGTH : >10.0kg- QC TAB

| | | | | | |
|---|--|--------------------------------|------------|--|--|
| THIS DRAWING IS A CONTROLLED DOCUMENT. | | DWN M BINNER | 25FEB2002 | Tyco Electronics Corporation Harrisburg, PA 17105-3608 | |
| DIMENSIONS: mm | | CHK J.MOSIER | APVD JP | NAME POWER ROCKER SWITCH, 25.4mm X 27.6mm PANEL CUT-OUT SIZE, DOUBLE POLE, SIX TERMINALS, NON-ILLUMINATED | |
| TOLERANCES UNLESS OTHERWISE SPECIFIED: 0 PLC ± - 1 PLC ± 0.30 2 PLC ± 0.05 3 PLC ± - 4 PLC ± - ANGLES ± - | | PRODUCT SPEC NOT APPLICABLE | | SIZE A2 | |
| MATERIAL | | FINISH - | | CAGE CODE 00779 | |
| | | WEIGHT - | | DRAWING NO 1571113 | |
| CUSTOMER DRAWING | | SCALE 1:1 | | SHEET 3 OF 3 | |
| | | | | REV E1 | |