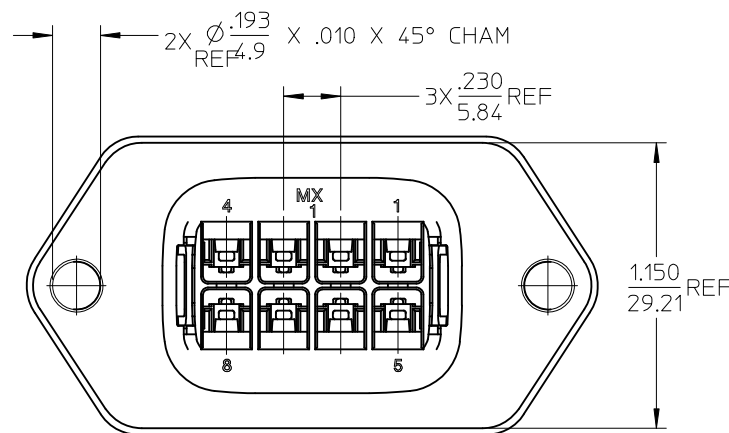
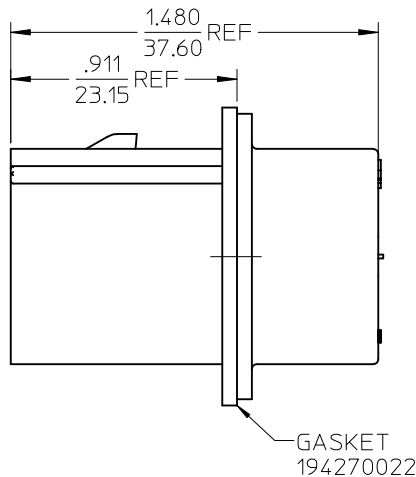
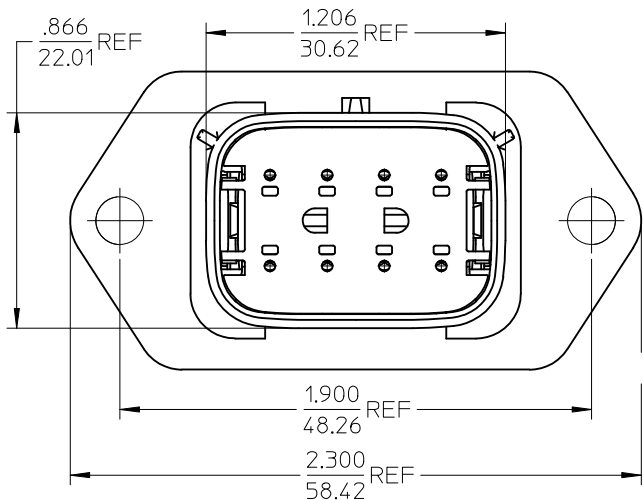


ASSEMBLED VIEW
SCALE 1:1



(B)

- NOTES:
 1. MATERIALS:
 HOUSING: POLYESTER (PBT), GLASS FILLED, UL94 V-0,COLOR: BLACK
 GASKET: EPDM RUBBER
 2. PRODUCT SPECIFICATION: PS-19417-001.
 3. PACKAGING SPECIFICATION: PK-19429-001.
 GASKETS, IF REQUIRED FOR THE ASSEMBLIES,ARE BULK PACKAGED IN A SEPARATE BAG.
 4. MATES WITH: 19418 SERIES RECEPTACLE ASSEMBLIES.
 5. USE CONNECTOR WITH MALE CRIMP TERMINAL: SERIES 19417.
 6. RECOMMENDED MOUNTING HARDWARE: (2)#10 X .62/15.8 LONG PLASTIC THREAD CUTTING SCREWS, RECOMMENDED TORQUE 15-17 IN-LBS. SUGGESTED SOURCE: ITW SHAKEPROOF INDUSTRIAL BOSSCREW OR EQUIVALENT.
 7. ASSEMBLY IS ROHS COMPLIANT.

REVISE NOTES EC NO: IPG2012-0161 DRWN:WLEUNG 2012/02/10 CHKD: APPR:DTITUS 2012/02/28	QUALITY SYMBOLS	GENERAL TOLERANCES (UNLESS SPECIFIED)	SCALE 2:1	DESIGN UNITS INCH
	-0 -0	mm	DIMENSION STYLE IN/MM	
		INCH	DRAWN BY DMYRICK	DATE 04/07/20
		4 PLACES ± --- ± --- 3 PLACES ± --- ± .015 2 PLACES ± 0.38 ± --- 1 PLACE ± --- ± ---	ANGULAR ± 1°	CHECKED BY JPAWLICK
		DRAFT WHERE APPLICABLE	APPROVED BY RDEROSS	DATE 04/07/20
		MUST REMAIN WITHIN DIMENSIONS	THIS DRAWING CONTAINS INFORMATION THAT IS PROPRIETARY TO MOLEX INCORPORATED AND SHOULD NOT BE USED WITHOUT WRITTEN PERMISSION	

194290045	YES
194290029	NO
MATERIAL NUMBER	GASKET
THIRD ANGLE PROJECTION	REVISE ON CAD ONLY
TITLE 8 WAY PLUG PANEL MOUNT ASSEMBLY W/O BOSS 22-14 AWG	
MOLEX MOLEX INCORPORATED	
MATERIAL NO.	DOCUMENT NO.
SEE CHART SD-19429-013	SHEET NO. 1 OF 1