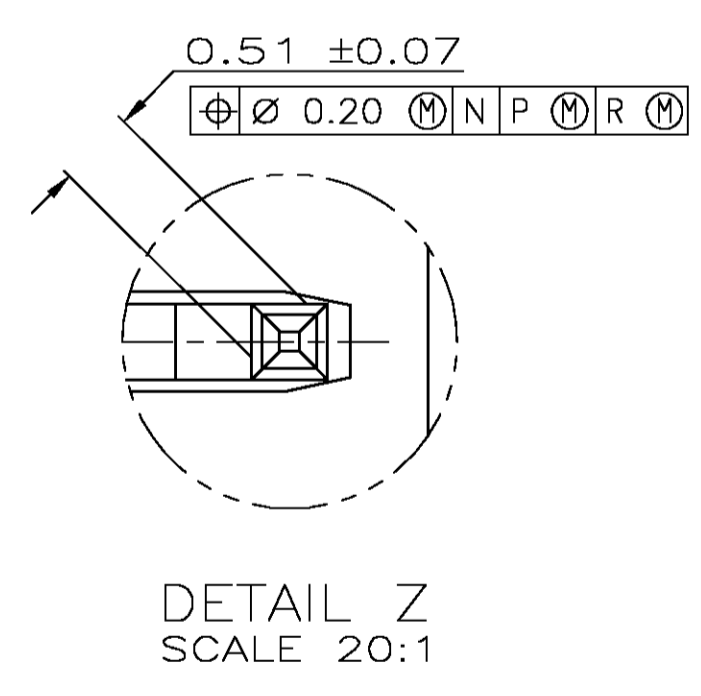
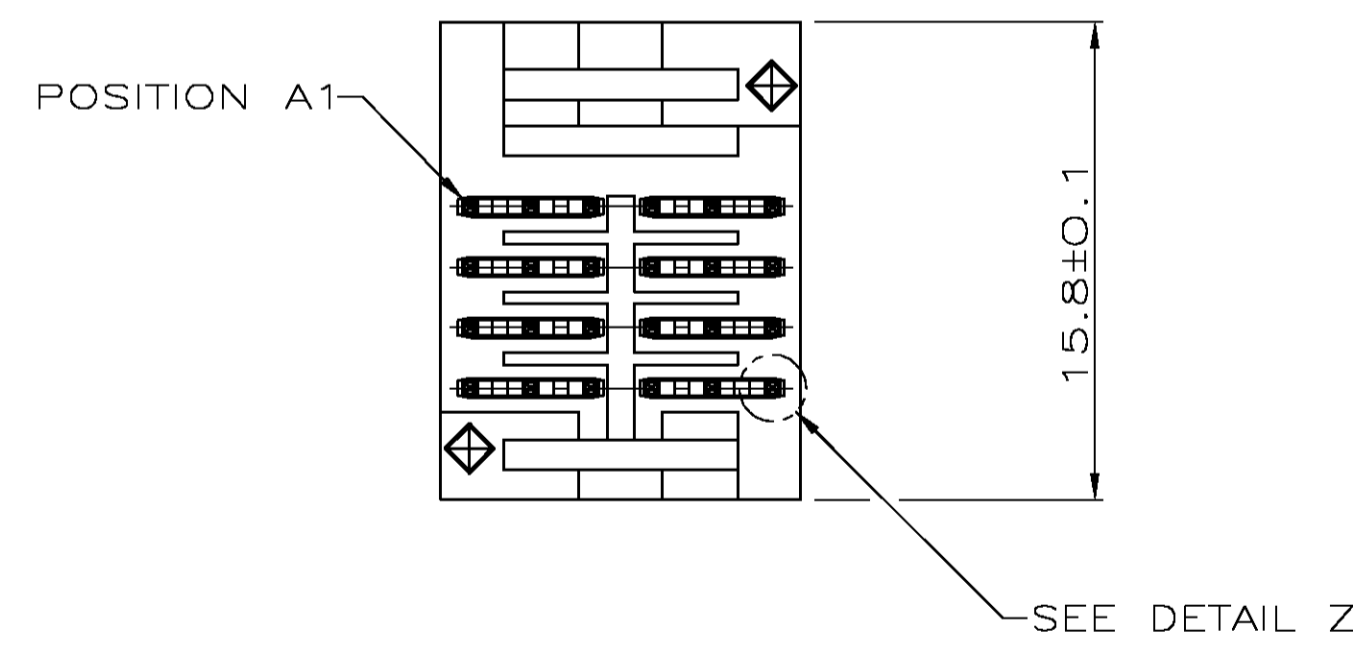
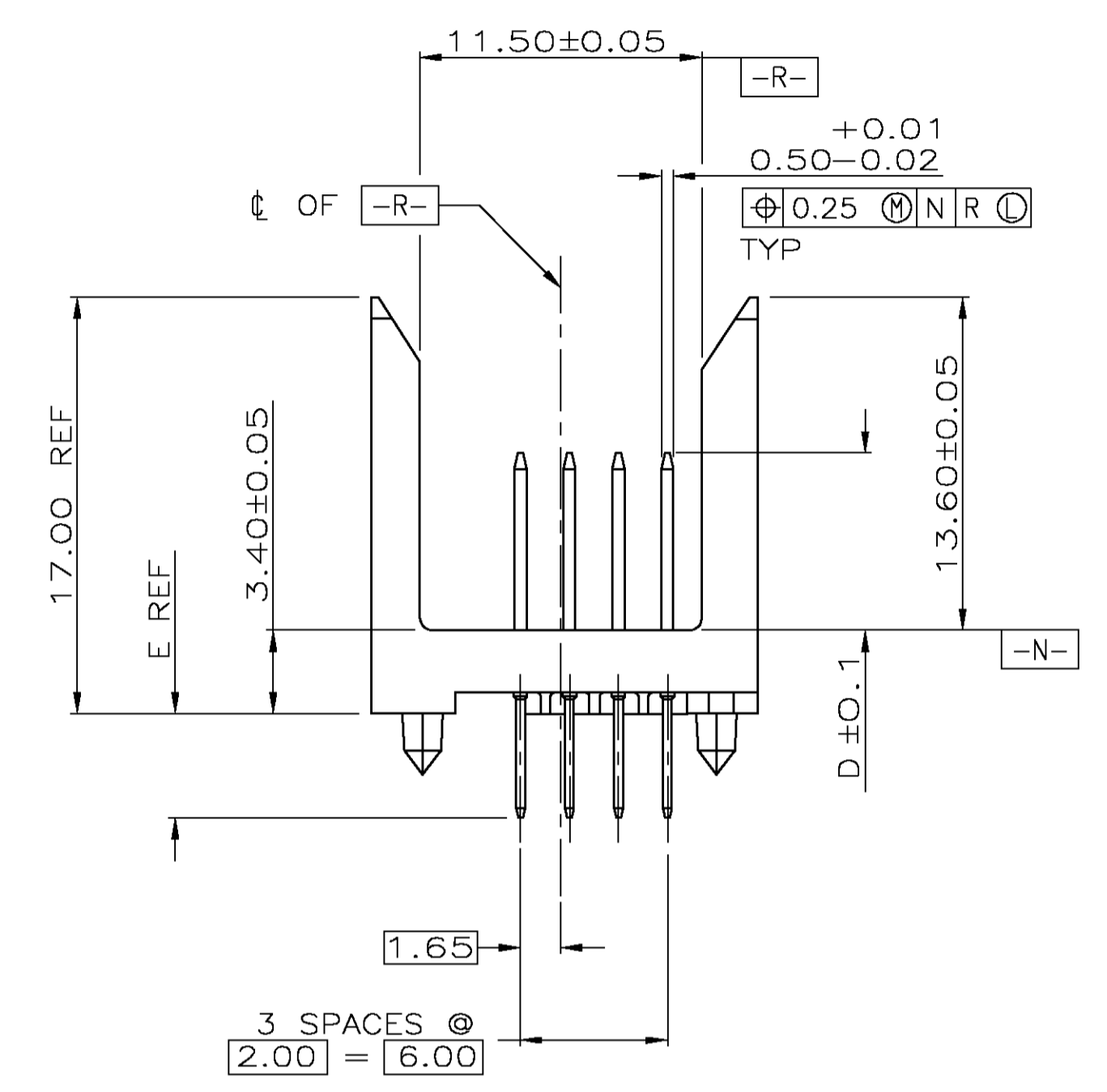
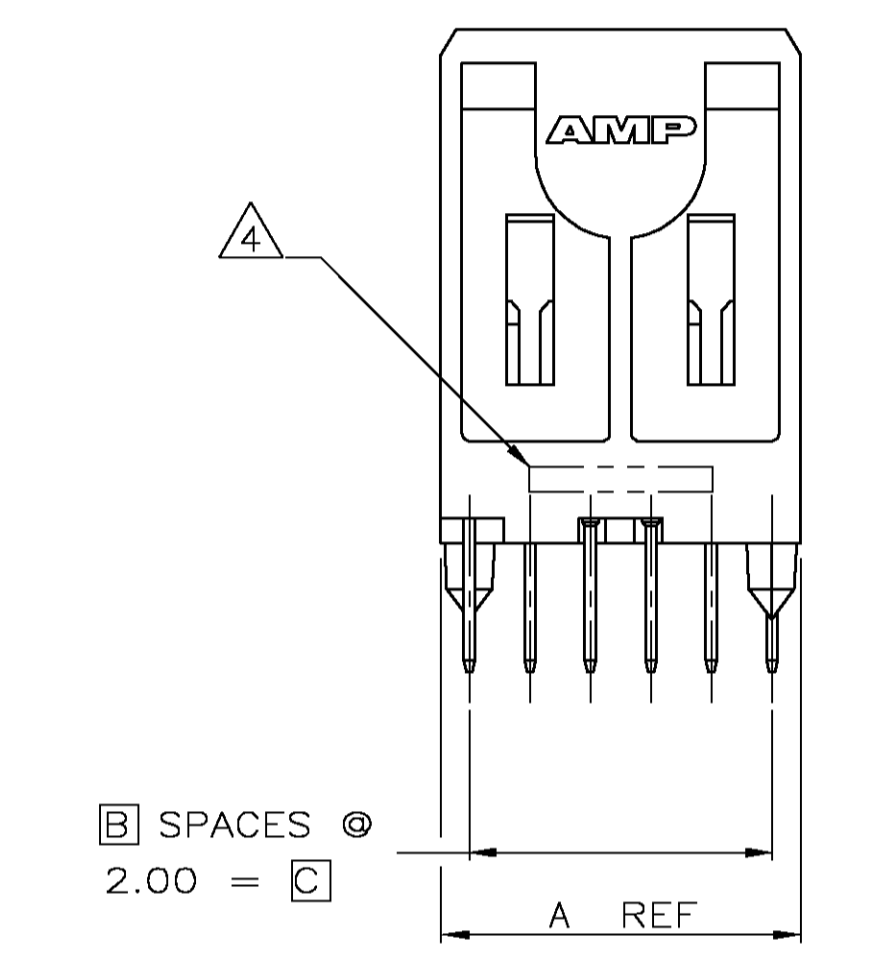
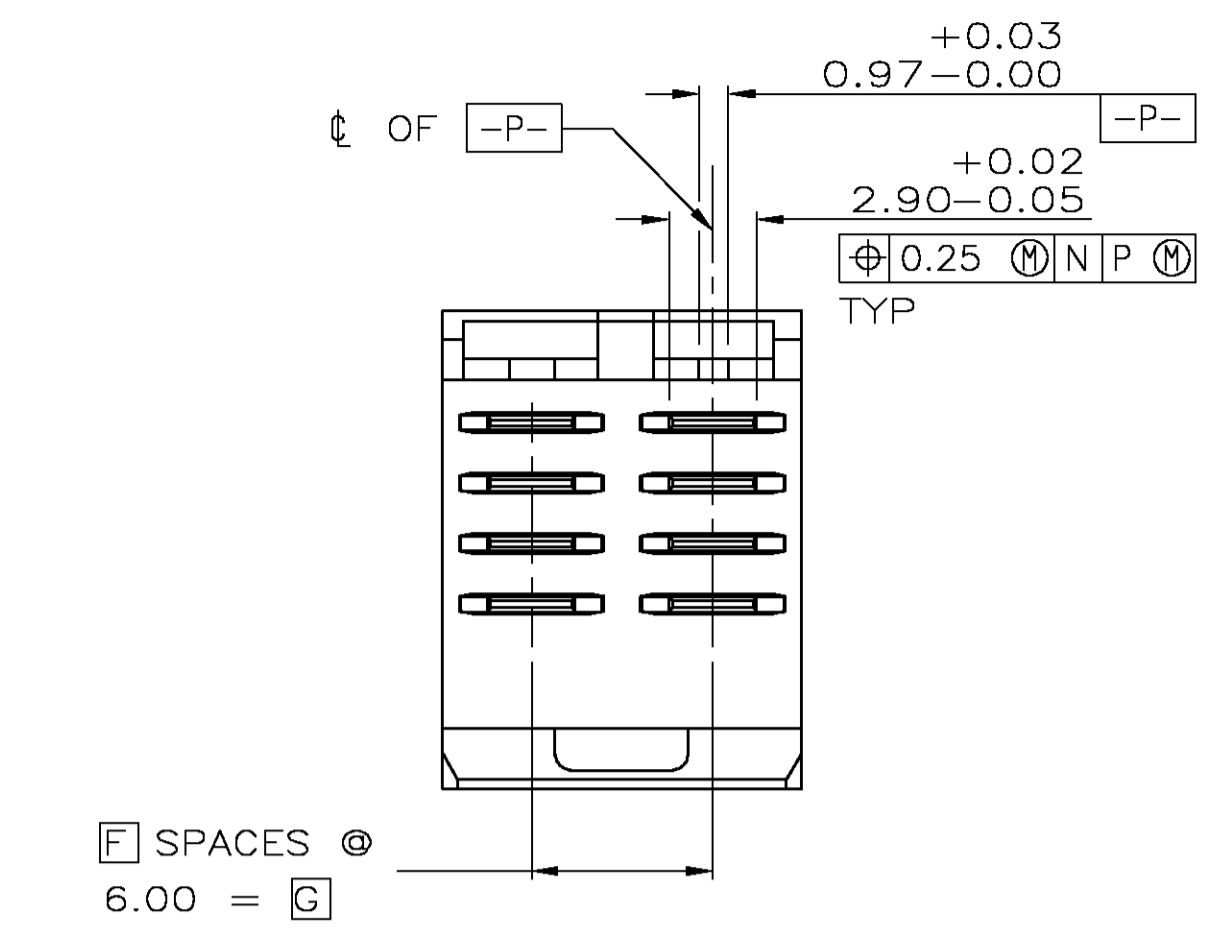
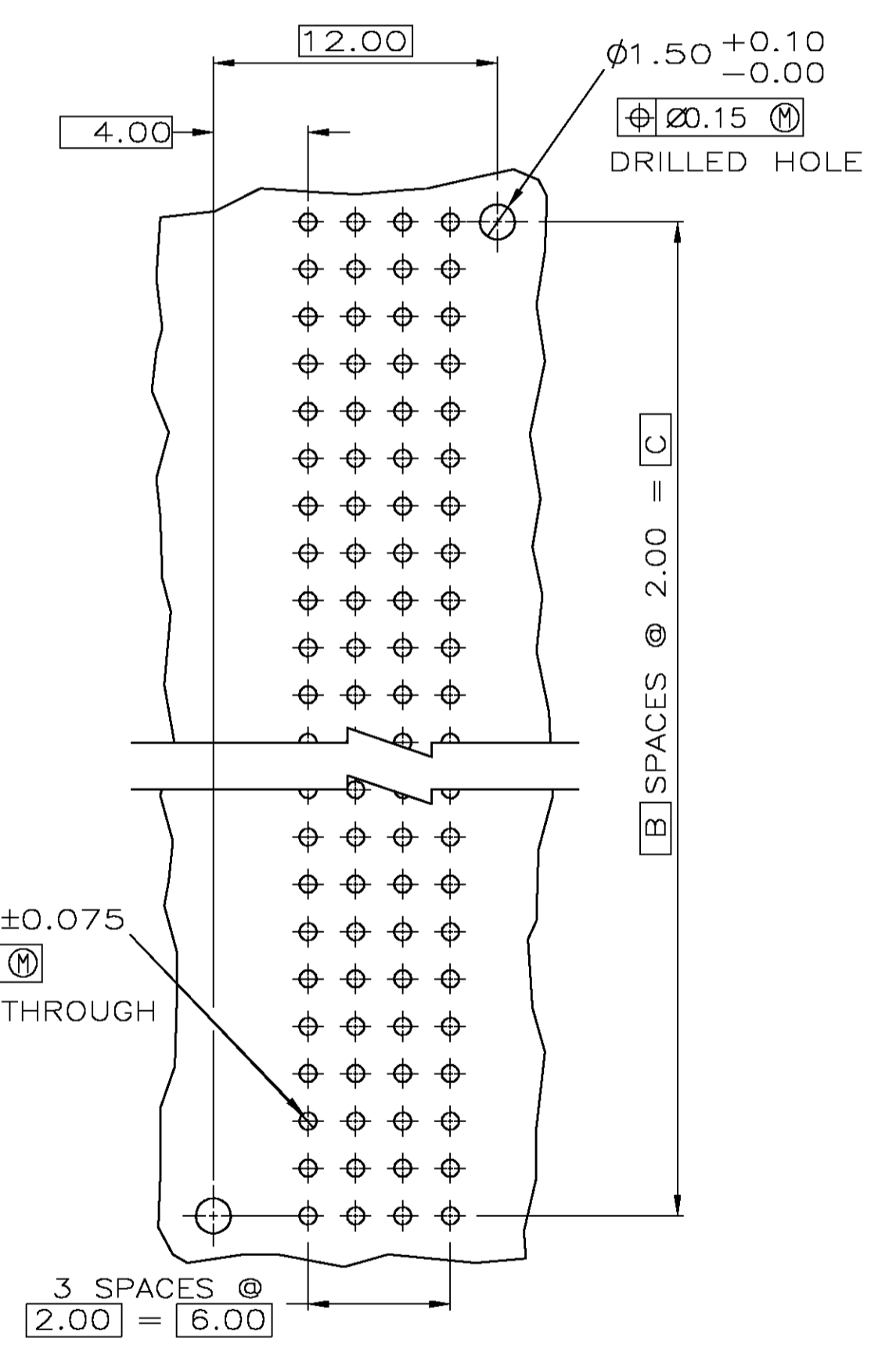


LOC		DIST		REVISIONS			
P	LR	DATE	DMN	APVD			
0		RELEASED PER ECOS12-0235-04	06OCT04	BM	RW		



- 1 HOUSING MATERIAL: LIQUID CRYSTAL POLYMER  
COLOR: NATURAL.
- 2 CONTACT MATERIAL: PHOSPHOR BRONZE PER UNS ALLOY NO. C51100, TEMPER: H04.
- 3 CONTACT FINISH:(E)  
UNDERPLATE (ENTIRE CONTACT):  
0.00127 MIN NICKEL PER SAE-AMS-QQ-N-290  
ON MATING SURFACES:  
FLASH GOLD PER ASTM B 488, OVER  
0.00076 MIN PALLADIUM-NICKEL OVER UNDERPLATE, OR  
0.00076 MIN GOLD PER ASTM B 488 OVER UNDERPLATE.  
ON LEADS:  
0.00381 MIN MATTE TIN PER ASTM B 545 OVER UNDERPLATE.  
LUBRICATION (MIN MATING SURFACES):  
SURFACE CONDITIONER AFTER PLATING.
- 4 PART MARKING LOCATED APPROXIMATELY AS SHOWN.



RECOMMENDED CIRCUIT PATTERN  
PER IPC-D300 TYPE II, CLASS C  
(COMPONENT SIDE)

6.00	1	4.25	7.25	10.00	5	11.88	3	8	5536625-1
G	F	E	D	C	B	A	FINISH	NO OF POSN	PART NUMBER

THIS DRAWING IS A CONTROLLED DOCUMENT.		DIN R BUCHHEISTER 15/SEP/95	Tyco Electronics Corporation Harrisburg, Pa 17105-3608
DIMENSIONS: mm [INCHES]		CHK J. SMALLEY 15/SEP/95	
TOLERANCES UNLESS OTHERWISE SPECIFIED:		APVD D. BAECHTLE 15/SEP/95	NAME ASSEMBLY, PIN, POWER, VERTICAL, 4 ROW, Z-PACK 2mm FB, SOLDER LEAD
0 PLC ± -		PRODUCT SPEC	
1 PLC ± -		APPLICATION SPEC	SIZE A1
2 PLC ± 0.13[005]		WEIGHT	CAGE CODE 00779
3 PLC ± -		CUSTOMER DRAWING	DRAWING NO. 5536625
4 PLC ± -		SCALE 4:1	RESTRICTED TO
ANGLES ± -		SHEET 1 OF 1	REV 0