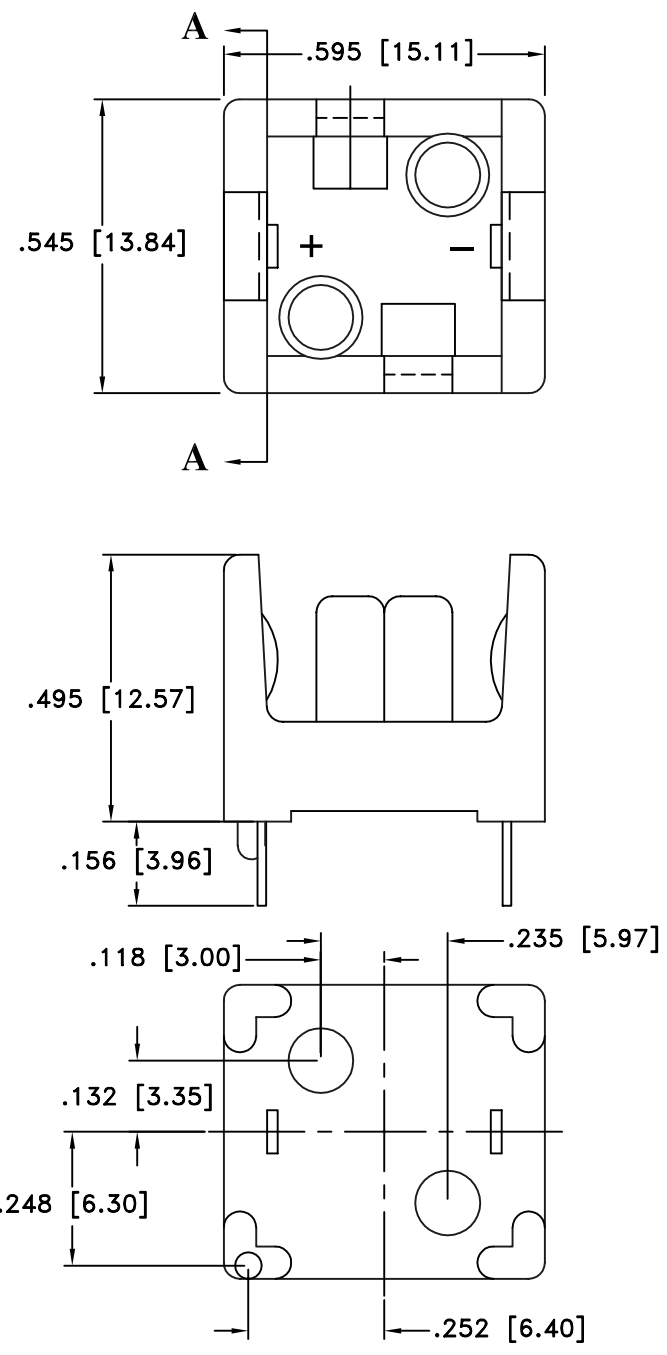
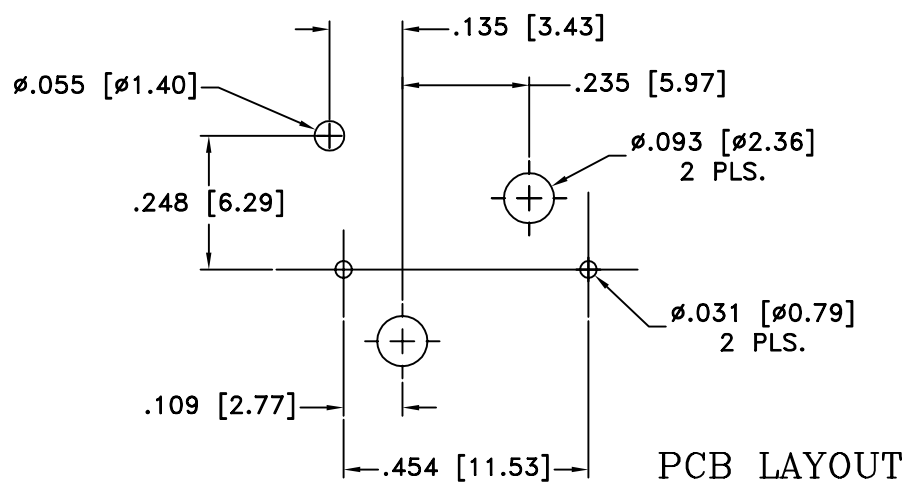



PART NO.	DESCRIPTION	MATERIAL
ABG-190	HOLDER BODY	PBT, UL94V-0 FILE NO.: E41797, COLOR: BLACK, TEMPERATURE: -55°-+140°
ABG-191	CONTACT	PHOSPHOR-BRONZE, NICKEL PLATED LEAD FREE SOLDER TAILS

Date	SYM	REVISION RECORD	AUTH	DR.	CK.
02/19/05	A	ADDED BOTTOM VIEW AND DELETED SIDE VIEW	T.B.	B.S.	
03/12/05	B	REMOVED Sn-Pb FROM MATERIAL NOTE	T.B.	B.S.	
10/22/05	C	ADDED "ROHS COMPLIANT"	T.B.	B.S.	



NOTE:
ROHS COMPLIANT



Tolerance (Except as noted)	 Memory protection Devices, Inc 200 Broad Hollow Road, Farmingdale, New York 11735	Scale	Drawn By B.S.
			Approved By T.B.
decimal ±.5 (.020)	Title BC 1/3N LITHUM BATTERY HOLDER	Date	
Fractional ± .8 (.030)		Drawing Number	
Angular ± 3°	Date 10/22/05	BC1/3N	