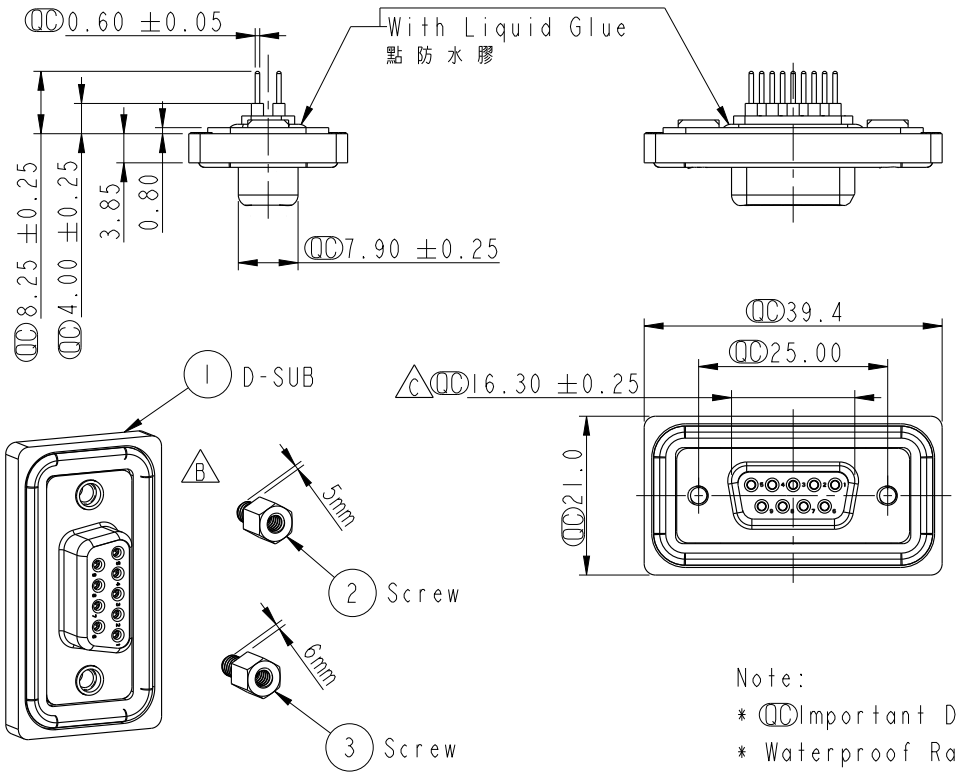


REV.	ECN NO.	DATE	SIGN	DESCRIPTION
B	LE3-710064	2006/12/15	DongYaLi	Moce DOR0038S170 To ZSE00100584
C	LEN1350208	2013/05/14	Yulong	Change the Dimension



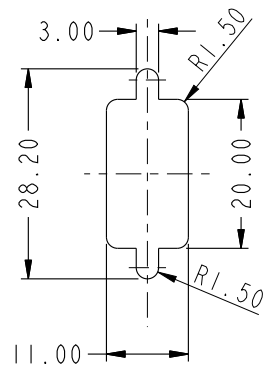
Note:

- * \varnothing Important Dimension.
- * Waterproof Rate : IP68
IP68: 1M of depth of water 24 hours
(防水等級 IP68)
(IP68: 1米水深24小時)
- * Do Mating Test After Glued
點膠後, 須作對插測試
- * D-SUB Conn. : Black Core , PBT
- * Plastic Jacket : Black , Nylon+GF
- * Pin : Copper Alloy , Gold Plated
- * Ring : Light Blue, Silicone
- * Screw : Copper Alloy, Nickel Plated, #4-40 UNC

Panel Thickness
面板厚度
X (Max.)

Screw L=5.0 For Panel Thickness
Under 1.2mm
適用板厚為 1.2mm 以下

Screw L=6.0 For Panel Thickness
Between 1.2~2.0mm
適用板厚為 1.2~2.0mm



Recommended Panel Cut-Out
建議控孔尺寸

UNIT: mm		
TOLERANCE	.X ±0.25	
.XX ±0.1		
.XXX ±0.05		
ANGLES	±1°	

TITLE D-SUB Conn. $\triangle B$ Panel Screw DB9P F Conn. F Pin			
SCALE	SIZE	SHEET	OF
1:1	A4	1	1
REV.	WC-REV.	\varnothing : Inspection item	
C	A.3		

Amphenol LTW
安費諾亮泰企業股份有限公司

ITEM NO	SDB-09PFFP-SL8001	DRAWN BY	Yulong_wang	DATE	2013-05-14
DWG NO	SDB-09PFFP-SL8001	CHECKED BY	Victor	DATE	2013-05-14
CUSTOMER	ALTW	APPROVED BY	Maslow	DATE	2013-05-14

THIS DOCUMENT IS SUBJECT TO CHANGE WITHOUT NOTICE. IT IS CONFIDENTIAL AND A PROPERTY OF Amphenol LTW. DISCLOSURE TO THIRD PARTY HAS TO BE AUTHORIZED BY Amphenol LTW.