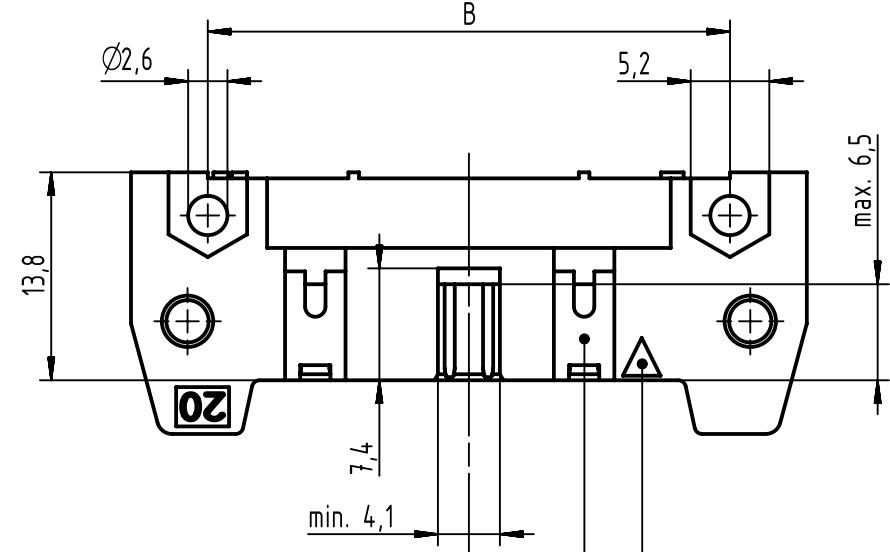
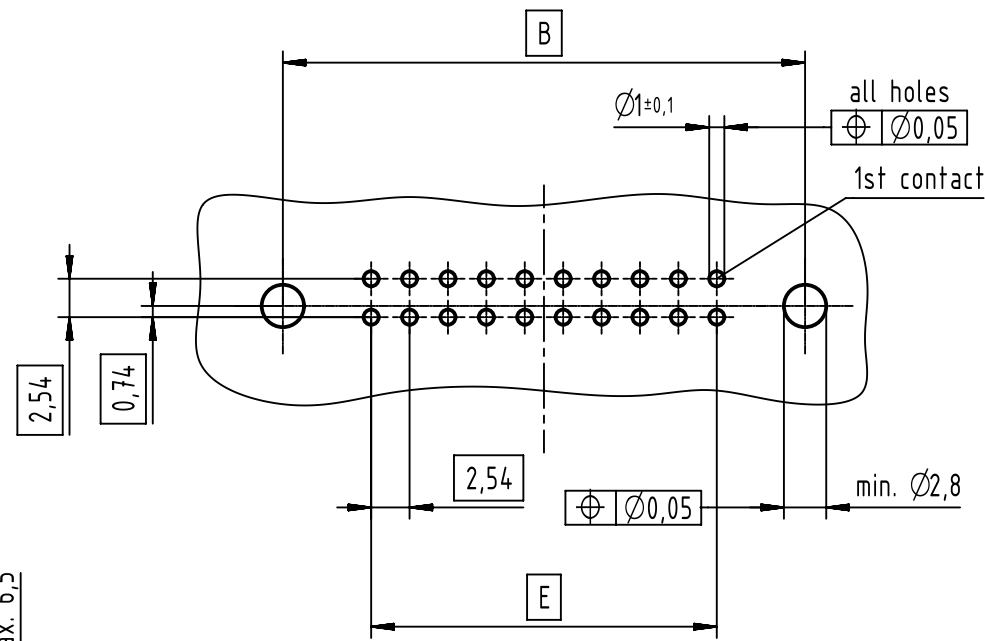
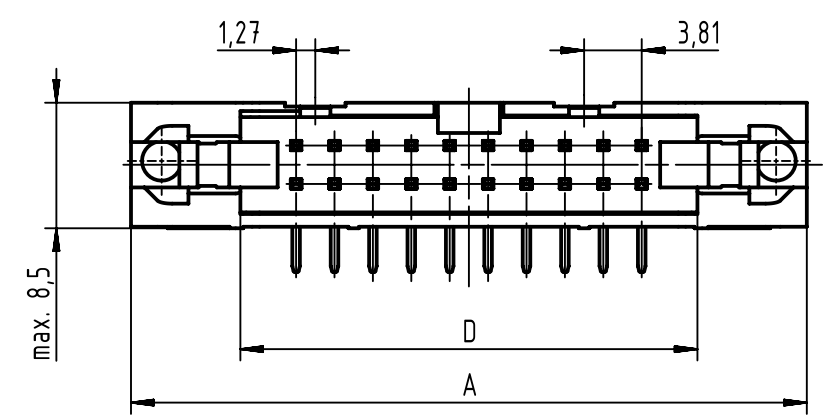
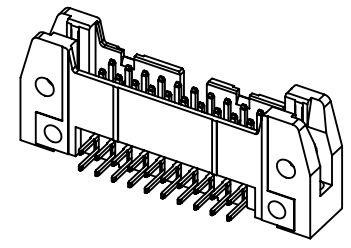


PCB layout
view component side
thickness 1,6



see table for coding,
feature arrangement and style




further information
see: DS 09191130201
full range of P/N's and
dimensions shown on page 2/2

coding style table	
	style A: for connectors 6-pole
	style B: for connectors from 10 to 14-pole
	style C: for connectors from 16 to 64-pole

	All Dimensions in mm Original Size DIN A3	Scale 2:1	Free size tol. IEC 60603-13	Ref. Sub. TB 09195XXX923 / 500000087654 / 2015-04-08
	All rights reserved Department EC PD - DE	Created by STORCK	Inspected by TADJE	Standardisation KOHLER
HARTING Electronics GmbH D-32339 Espelkamp		Title SEK 19 male standard conn angled w/o lever 2.9	Date 2015-12-21	State Final Release
Type TB	Number 09195XXX923	Doc-Key / ECM-Nr. 100154464/UGD/039/A 500000094596		Rev. A Page 1/2

no. of contacts	performance level			insulator colour	dimensions			
	PL3	PL2	S4		A max.	B	D	E
	part number	part number	part number					
06	09 19 506 7923	09 19 506 6923	09 19 506 5923	beige	27,2	16,76	12,45	2,54 x 2 = 5,08
10	09 19 510 7923	09 19 510 6923	09 19 510 5923		32,3	21,84	17,53	2,54 x 4 = 10,16
14	09 19 514 7923	09 19 514 6923	09 19 514 5923		37,4	26,92	22,61	2,54 x 6 = 15,24
16	09 19 516 7923	09 19 516 6923	09 19 516 5923		39,9	29,46	25,15	2,54 x 7 = 17,78
20	09 19 520 7923	09 19 520 6923	09 19 520 5923		45,0	34,54	30,23	2,54 x 9 = 22,86
24	09 19 524 7923	09 19 524 6923	09 19 524 5923		50,1	39,62	35,91	2,54 x 11 = 27,94
26	09 19 526 7923	09 19 526 6923	09 19 526 5923		52,6	42,16	37,85	2,54 x 12 = 30,48
30	09 19 530 7923	09 19 530 6923	09 19 530 5923		58,0	47,24	43,83	2,54 x 14 = 35,56
34	09 19 534 7923	09 19 534 6923	09 19 534 5923		62,8	52,32	48,01	2,54 x 16 = 40,64
40	09 19 540 7923	09 19 540 6923	09 19 540 5923		70,4	59,94	55,63	2,54 x 19 = 48,26
50	09 19 550 7923	09 19 550 6923	09 19 550 5923		83,1	72,64	68,33	2,54 x 24 = 60,96
60	09 19 560 7923	09 19 560 6923	09 19 560 5923		95,8	85,34	81,03	2,54 x 29 = 73,66
64	09 19 564 7923	09 19 564 6923	09 19 564 5923		100,9	90,42	86,11	2,54 x 31 = 78,74
06	09 19 506 7923 001	09 19 506 6923 001	09 19 506 5923 001		black	27,2	16,76	12,45
10	09 19 510 7923 001	09 19 510 6923 001	09 19 510 5923 001	32,3		21,84	17,53	2,54 x 4 = 10,16
14	09 19 514 7923 001	09 19 514 6923 001	09 19 514 5923 001	37,4		26,92	22,61	2,54 x 6 = 15,24
16	09 19 516 7923 001	09 19 516 6923 001	09 19 516 5923 001	39,9		29,46	25,15	2,54 x 7 = 17,78
20	09 19 520 7923 001	09 19 520 6923 001	09 19 520 5923 001	45,0		34,54	30,23	2,54 x 9 = 22,86
24	09 19 524 7923 001	09 19 524 6923 001	09 19 524 5923 001	50,1		39,62	35,91	2,54 x 11 = 27,94
26	09 19 526 7923 001	09 19 526 6923 001	09 19 526 5923 001	52,6		42,16	37,85	2,54 x 12 = 30,48
30	09 19 530 7923 001	09 19 530 6923 001	09 19 530 5923 001	58,0		47,24	43,83	2,54 x 14 = 35,56
34	09 19 534 7923 001	09 19 534 6923 001	09 19 534 5923 001	62,8		52,32	48,01	2,54 x 16 = 40,64
40	09 19 540 7923 001	09 19 540 6923 001	09 19 540 5923 001	70,4		59,94	55,63	2,54 x 19 = 48,26
50	09 19 550 7923 001	09 19 550 6923 001	09 19 550 5923 001	83,1		72,64	68,33	2,54 x 24 = 60,96
60	09 19 560 7923 001	09 19 560 6923 001	09 19 560 5923 001	95,8		85,34	81,03	2,54 x 29 = 73,66
64	09 19 564 7923 001	09 19 564 6923 001	09 19 564 5923 001	100,9		90,42	86,11	2,54 x 31 = 78,74

	All rights reserved	Created by	Inspected by	Standardisation	Date	State	
	Department EC PD - DE	STORCK	TADJE	KOHLER	2015-12-21	Final Release	
HARTING Electronics GmbH D-32339 Espelkamp		Title SEK 19 male standard conn angled w/o lever 2.9				Doc-Key / ECM-Nr. 100154464/UGD/039/A 50000094596	
		Type	Number		Rev.	Page	
		TB	09195XXX923		A	2/2	