

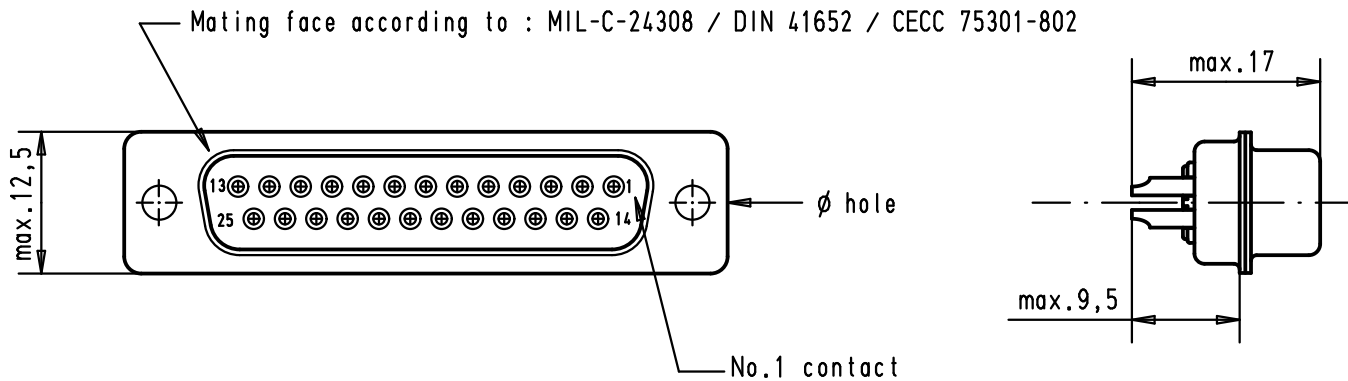
5

4

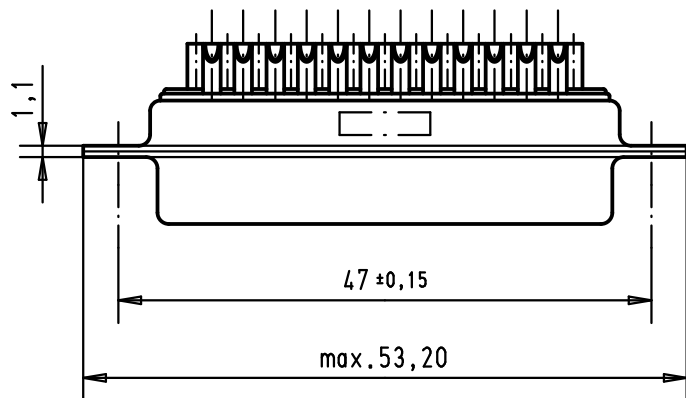
3

2

1



Max wire ϕ 1,05 mm



D

C

B

A

							Dot.	Name	<p>All Dim. in mm Orig. Size DIN A 4</p>	D-Sub, 25 poles, female, straight, turned solder buckets, holes	Maßstab/ Scale 1.5:1
						Detail.	18/07/01	AF			
09 67 025 4715 050	3.1 ^{+0,1}	S4				Insp.					
09 67 025 4715	3.1 ^{+0,1}	PL2				Stand.					
09 67 025 4704	3.1 ^{+0,1}	PL3	36189	08/11/10	SC	HARTING EURL F-95972 Paris			TB 09 67 025 47xx	Blatt/ Page 1/2	
			29700	18/07/01	AF						
Part number	ϕ hole	Performance level	Mod.	Dot.	Name						



Sub.