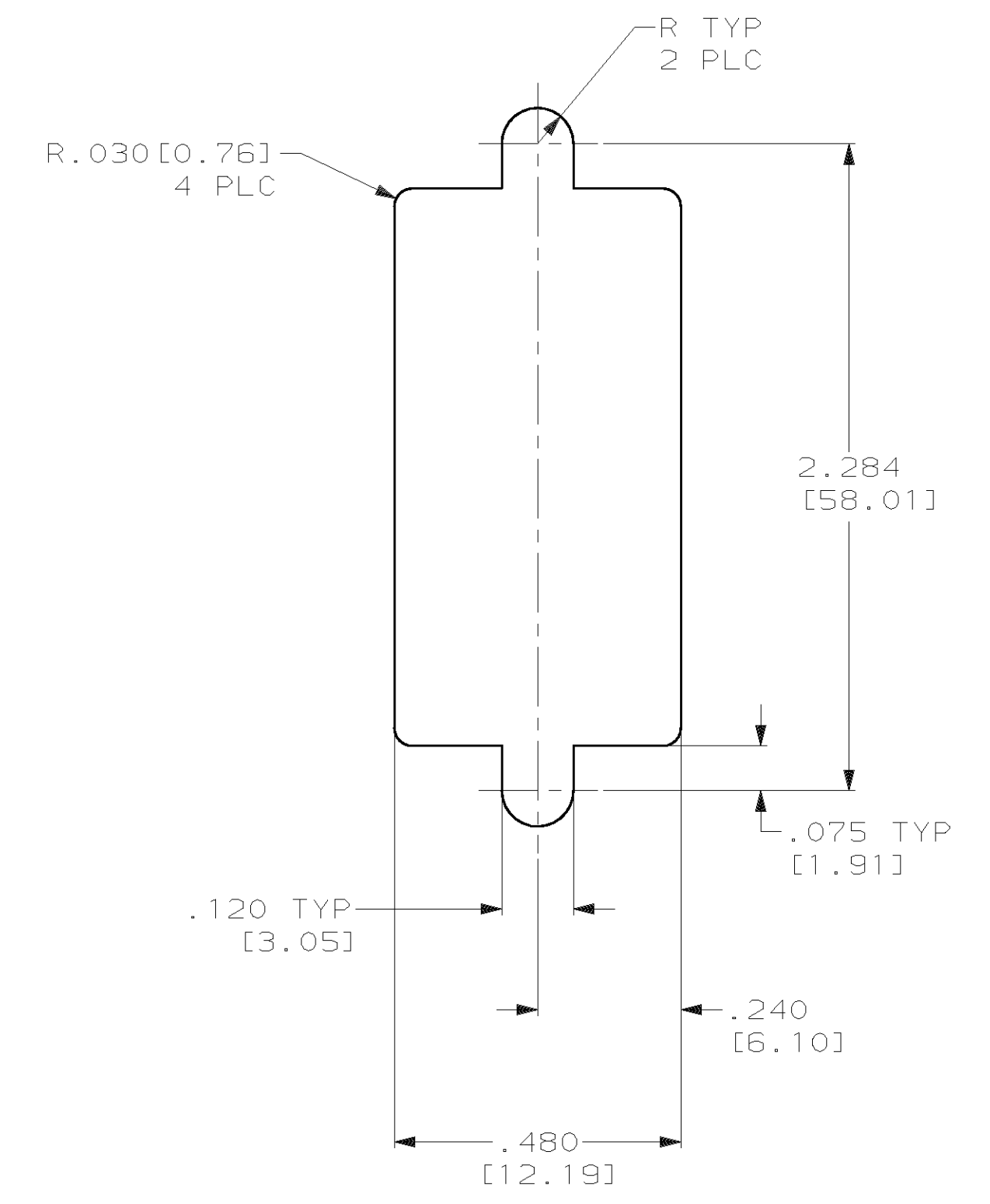
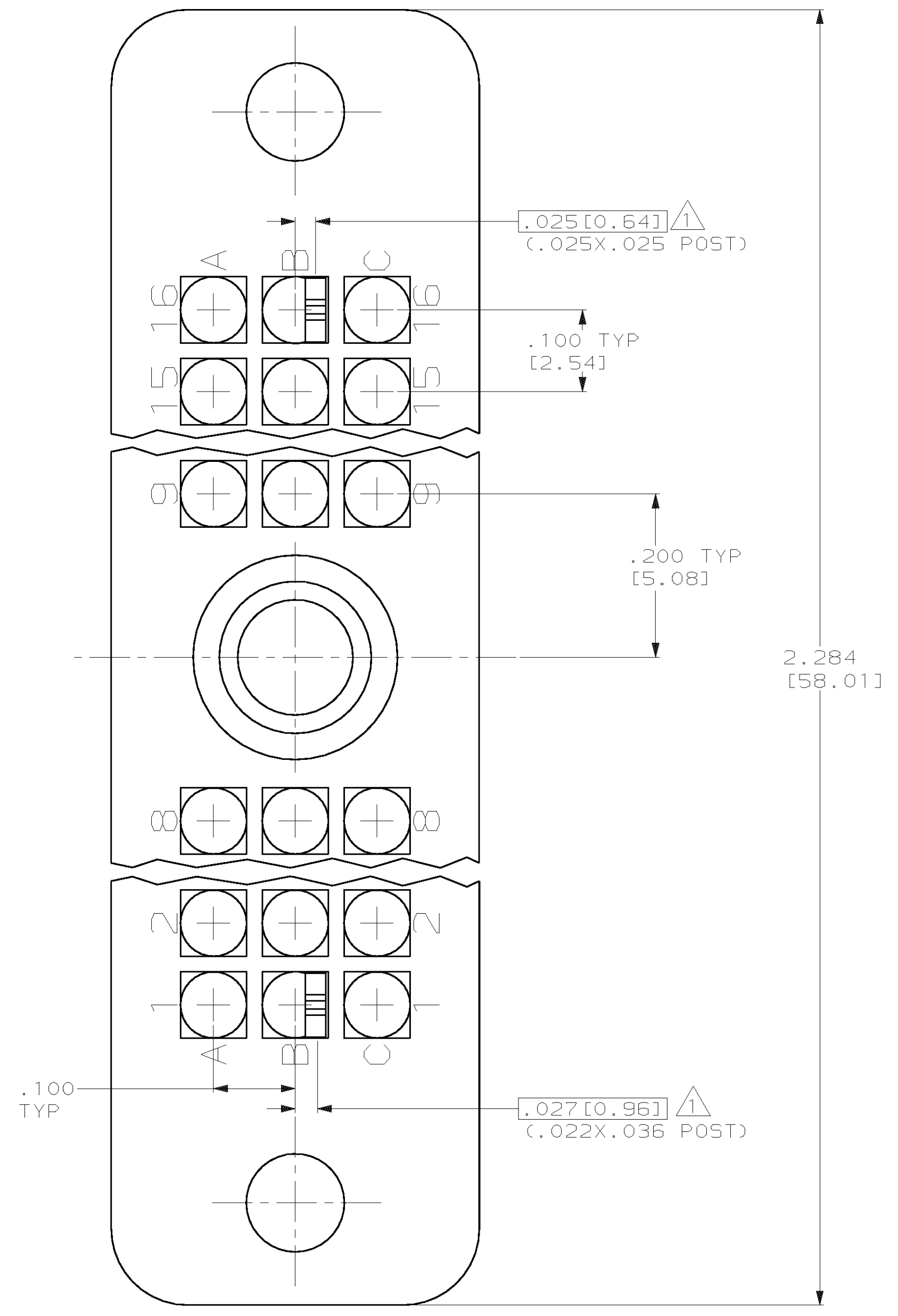
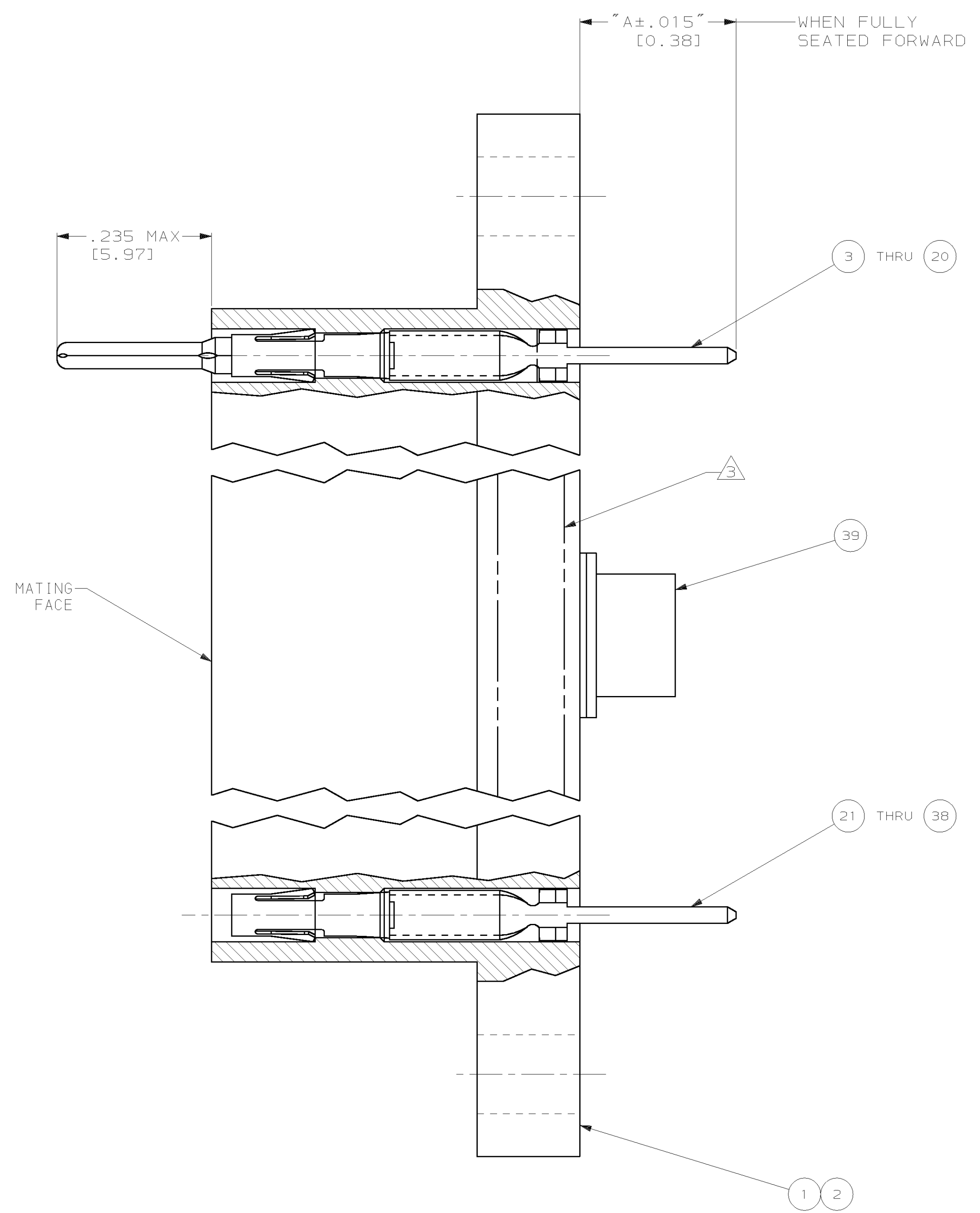


REVISONS		DATE	OWN	APPV
DF	CO			
H	REV PER	063D-0276-01	7-02	CT JM

- 1 THE TIP OF THE CONTACT POSTS WILL FALL WITHIN .025 DIAMETER TRUE POSITION OF EACH OTHER.
- 2 PARTS TO BE ASSEMBLED BY AMP INC.
- 3 AMP, PART NUMBER AND DATE CODE MARKED ON EITHER SIDE.



SUGGESTED PANEL CUTOUT
SCALE 4:1

TERMINATION	NUMBER OF TERMINATIONS	TYPE OF POST
.520 [13.21]	3	.022X.036 POST
.370 [9.40]	2	
.220 [5.59]	1	.025X.025 POST
.670 [17.02]	3	
.456 [11.58]	2	
.242 [6.15]	1	

AMP Incorporated
Harrisburg, PA 17105-3608

48 POSITION, HDR, PLUG /w JACKSCREW

SIZE: A1 CAGE CODE: 00779 DRAWING NO: C=204687

SCALE: 8:1 SHEET: 13 REV: H

