

THIS DRAWING IS UNPUBLISHED. RELEASED FOR PUBLICATION
 © COPYRIGHT - By - TE CONNECTIVITY ALL RIGHTS RESERVED.

LOC	DIST	REVISIONS					
		P	LTR	DESCRIPTION	DATE	DWN	APVD
HB	-		E2	CHANGE LOGO&ADD LINE IDENTIFICATION ECO-12-001771	20Aug2012	YS.H	BH.Y

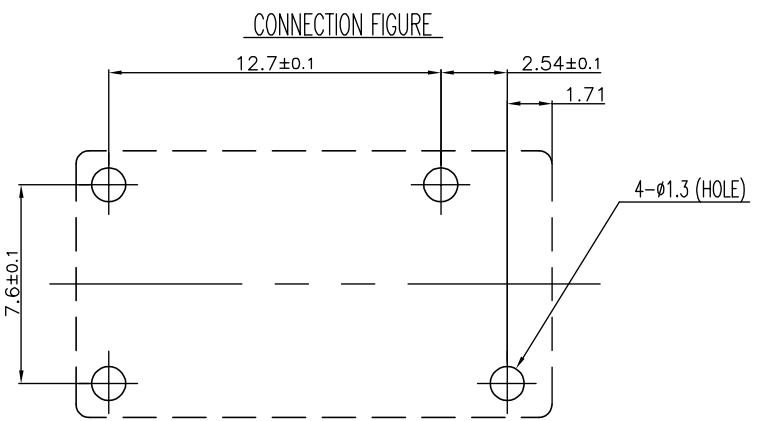
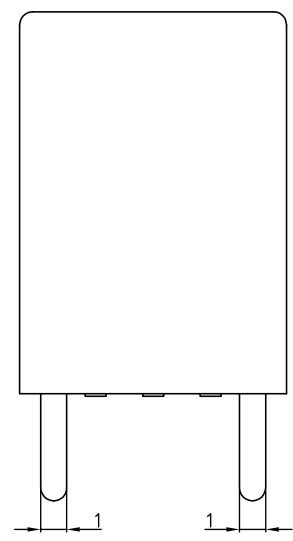
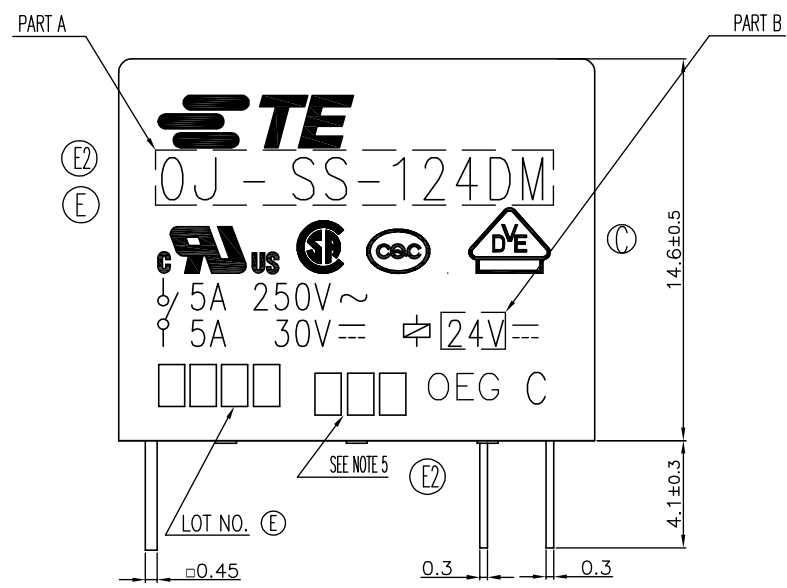
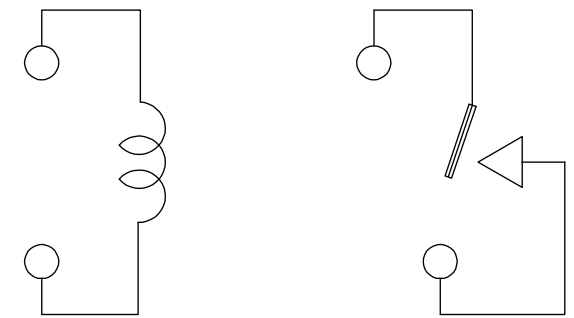
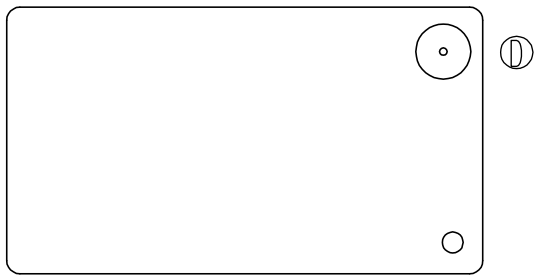
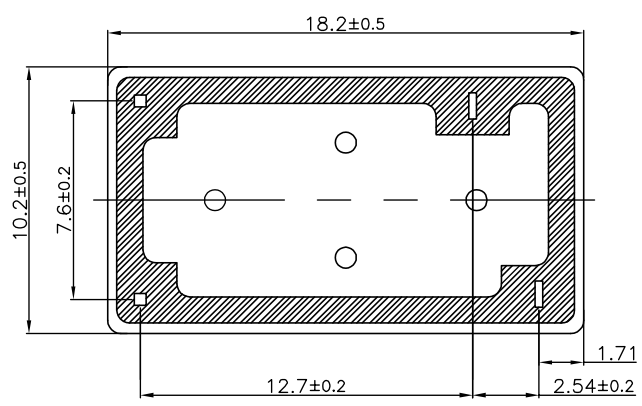


FIGURE FOR PRINTED CIRCUIT BOARD PROCESSING (BOTTOM VIEW)

Diagram dimension	Tolerance
0.99mm max.	±0.1mm
1 - 2.99mm	±0.2mm
3mm min.	±0.3mm



THIS DRAWING IS A CONTROLLED DOCUMENT.		DWN	H.Sasaki	TE Connectivity			
DIMENSIONS: mm		CHK	Y.Oikakwa				
TOLERANCES UNLESS OTHERWISE SPECIFIED:		APVD	A.Nagai	NAME			
0 PLC ± -		PRODUCT SPEC	-	OJ-SS-DM CUSTOMER DRAWING			
1 PLC ± -		APPLICATION SPEC	-	SIZE	CAGE CODE	DRAWING NO	RESTRICTED TO
2 PLC ± -		WEIGHT	-	A3	00779	G= 1461076	-
3 PLC ± -		MATERIAL		CUSTOMER DRAWING			SCALE
4 PLC ± -		FINISH		5:1			SHEET
ANGLES ± -				1 of 2			REV
				E2			

THIS DRAWING IS UNPUBLISHED. RELEASED FOR PUBLICATION
 © COPYRIGHT - By - TE CONNECTIVITY ALL RIGHTS RESERVED.

LOC	DIST	REVISIONS					
HB	-	P	LTR	DESCRIPTION	DATE	DWN	APVD
		-		SEE SHEET 1	-	-	-

(E2) (C)	1461076-3	OJ-SS-118DM	107-79010	18VDC	OJ-SS-118DM	h
(E2)	4-1419144-6	OJ-SS-148DM	107-79010	48VDC	OJ-SS-148DM	g
	2-1419129-9	OJ-SS-124DM	107-79010	24VDC	OJ-SS-124DM	f
	1-1419129-8	OJ-SS-112DM	107-79010	12VDC	OJ-SS-112DM	e
	1-1419129-5	OJ-SS-109DM	107-79010	9VDC	OJ-SS-109DM	d
(E2)	1461076-2	OJ-SS-106DM	107-79010	6VDC	OJ-SS-106DM	c
	3-1419144-7	OJ-SS-105DM	107-79010	5VDC	OJ-SS-105DM	b
(E2)	1461076-1	OJ-SS-103DM	107-79010	3VDC	OJ-SS-103DM	a
	PART NO	TYPE NAME	PACKAGE SPEC	PART B	PART A	TYPE

RELAY TYPE

(E2) (C) NOTE:

1. LOT NO. SYSTEM AS FOLLOWS:



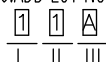
WEEK
YEAR

(E2) 2. TERMINAL DIMENSION IS BEFORE SOLDER DIP;

(E2) 3. FOR THE TIN-PLATING OF THE PINS:
 +0.1mm FOR WIDTH, THICKNESS AND DIAMETER.
 +0.5mm FOR LENGTH.

(E2) 4. MARKING FROM INK TO LASER.

(E2) 6. ADD LOT NO. SYSTEM AS FOLLOWING;



I, DIGITS FOR DAY OF THE WEEK
 1...MONDAY IN THIS WEEK;
 2...TUESDAY IN THIS WEEK;

 7...SUNDAY IN THIS WEEK

II, DIGITS FOR SHIFT OF THE DAY
 1...DAY SHIFT IN THIS DAY;
 2...NIGHT SHIFT IN THIS DAY;

III, ONE CHARACTER DISTINGUISH THE LINE IDENTITY, SUCH AS: A,B,....Z

		EPOXY RESIN	SEAL (BASE & BOBBIN)	15
		SUEW	MAGNETIC WIRE	14
94V-0		P.B.T	CASE	13
94V-0		P.B.T	BASE	12
94V-0		P.B.T	BOBBIN	11
	SOLDER DIP	C.P WIRE	COIL TERMINAL	10
94V-0		P.P.S	CARD	9
		Ag ALLOY	MOVABLE CONTACT	8
		Ag	NO.CONTACT	7
		STEEL	HINGE SPRING	6
	SOLDER DIP	PBP	NO.TERMINAL	5
	SOLDER DIP	PBS	MOVABLE SPRING	4
	NIP	STEEL	CORE	3
	NIP	STEEL	ARMATURE	2
	NIP	STEEL	YOKE	1
INCOMBUSTIBILITY	TREATMENT	MATERIAL	DESCRIPTION	ITEM

THIS DRAWING IS A CONTROLLED DOCUMENT.		DWN	H.Sasaki	-	
DIMENSIONS: mm		CHK	Y.Oikakwa	-	
TOLERANCES UNLESS OTHERWISE SPECIFIED:		APVD	A.Nagai	-	
	0 PLC	± -	NAME		
	1 PLC	± -	OJ-SS-DM CUSTOMER DRAWING		
	2 PLC	± -	SIZE	CAGE CODE	DRAWING NO
	3 PLC	± -	A3	00779	G= 1461076
	4 PLC	± -	RESTRICTED TO	-	
	4 PLC ANGLES	± -	SCALE 5:1 SHEET 2 of 2 REV E2		
MATERIAL	FINISH	WEIGHT	CUSTOMER DRAWING		
-	-	-			