



**MCP1650/1/2/3
Evaluation Board
User's Guide**

Note the following details of the code protection feature on Microchip devices:

- Microchip products meet the specification contained in their particular Microchip Data Sheet.
- Microchip believes that its family of products is one of the most secure families of its kind on the market today, when used in the intended manner and under normal conditions.
- There are dishonest and possibly illegal methods used to breach the code protection feature. All of these methods, to our knowledge, require using the Microchip products in a manner outside the operating specifications contained in Microchip's Data Sheets. Most likely, the person doing so is engaged in theft of intellectual property.
- Microchip is willing to work with the customer who is concerned about the integrity of their code.
- Neither Microchip nor any other semiconductor manufacturer can guarantee the security of their code. Code protection does not mean that we are guaranteeing the product as "unbreakable."

Code protection is constantly evolving. We at Microchip are committed to continuously improving the code protection features of our products. Attempts to break Microchip's code protection feature may be a violation of the Digital Millennium Copyright Act. If such acts allow unauthorized access to your software or other copyrighted work, you may have a right to sue for relief under that Act.

Information contained in this publication regarding device applications and the like is intended through suggestion only and may be superseded by updates. It is your responsibility to ensure that your application meets with your specifications. No representation or warranty is given and no liability is assumed by Microchip Technology Incorporated with respect to the accuracy or use of such information, or infringement of patents or other intellectual property rights arising from such use or otherwise. Use of Microchip's products as critical components in life support systems is not authorized except with express written approval by Microchip. No licenses are conveyed, implicitly or otherwise, under any intellectual property rights.

Trademarks

The Microchip name and logo, the Microchip logo, Accuron, dsPIC, KEELOQ, MPLAB, PIC, PICmicro, PICSTART, PRO MATE, PowerSmart and rfPIC are registered trademarks of Microchip Technology Incorporated in the U.S.A. and other countries.


AmpLab, FilterLab, microID, MXDEV, MXLAB, PICMASTER, SEEVAL, SmartShunt and The Embedded Control Solutions Company are registered trademarks of Microchip Technology Incorporated in the U.S.A.

Application Maestro, dsPICDEM, dsPICDEM.net, dsPICworks, ECAN, ECONOMONITOR, FanSense, FlexROM, fuzzyLAB, In-Circuit Serial Programming, ICSP, ICEPIC, Migratable Memory, MPASM, MPLIB, MPLINK, MPSIM, PICkit, PICDEM, PICDEM.net, PICtail, PowerCal, PowerInfo, PowerMate, PowerTool, rfLAB, Select Mode, SmartSensor, SmartTel and Total Endurance are trademarks of Microchip Technology Incorporated in the U.S.A. and other countries.

Serialized Quick Turn Programming (SQTP) is a service mark of Microchip Technology Incorporated in the U.S.A.

All other trademarks mentioned herein are property of their respective companies.

© 2004, Microchip Technology Incorporated, Printed in the U.S.A., All Rights Reserved.

 Printed on recycled paper.

**QUALITY MANAGEMENT SYSTEM
CERTIFIED BY DNV
== ISO/TS 16949:2002 ==**

Microchip received ISO/TS-16949:2002 quality system certification for its worldwide headquarters, design and wafer fabrication facilities in Chandler and Tempe, Arizona and Mountain View, California in October 2003. The Company's quality system processes and procedures are for its PICmicro® 8-bit MCUs, KEELOQ® code hopping devices, Serial EEPROMs, microperipherals, nonvolatile memory and analog products. In addition, Microchip's quality system for the design and manufacture of development systems is ISO 9001:2000 certified.



MCP1650/1/2/3 EVALUATION BOARD USER'S GUIDE

Table of Contents

Preface	1
Chapter 1. Product Overview	3
1.1 Introduction and Highlights	3
1.2 What the MCP1650 Boost Controller Evaluation Board Is	3
1.3 What the MCP1650 Boost Controller Evaluation Board Includes	3
Chapter 2. Installation and Operation	5
2.1 Introduction	5
2.2 Features	5
2.3 Getting Started	5
Appendix A. Schematic and Layouts	9
A.1 Introduction	9
A.2 Highlights	9
A.3 Board Schematic	11
A.4 Board - Top Assembly	12
A.5 Board - Top Layer	13
A.6 Board - Bottom Layer	14
Appendix B. Bill Of Materials (BOM)	15
Worldwide Sales and Service	16

MCP1650/1/2/3 Evaluation Board User's Guide

NOTES:



MCP1650/1/2/3 EVALUATION BOARD USER'S GUIDE

Preface

INTRODUCTION AND HIGHLIGHTS

This section contains general information that will be useful to know prior to using the MCP1650 Boost Controller Evaluation Board. This board supports the MCP1650/51/52/53 device family.

This section covers the following topics:

- About this Guide
- Recommended Reading
- The Microchip Internet Web Site
- Customer Support

ABOUT THIS GUIDE

Document Layout

The User's Guide layout is as follows:

- **Chapter 1: Product Overview** – Important information about the MCP1650 Boost Controller Evaluation Board.
- **Chapter 2: Installation and Operation** – This chapter includes instructions on how to get started with this demo board and a detailed description of each function of the demo board.

Appendices:

- **Appendix A: Schematic and Layouts** – shows the schematic and layout diagrams for the MCP1650 Boost Controller Evaluation Board.
- **Appendix B: Bill of Materials** – lists the parts (and their respective manufacturers) used to build the MCP1650 Boost Controller Evaluation Board.
- **Worldwide Sales and Service** – gives the address, telephone and fax number for Microchip Technology Inc. sales and service locations throughout the world.

MCP1650/1/2/3 Evaluation Board User's Guide

RECOMMENDED READING

For more information regarding the MCP1650/51/52/53 device, the following is recommended reading:

MCP1650/51/52/53 Data Sheet, (DS21876)

This data sheet provides detailed information regarding the MCP1650/51/52/53 product family.

THE MICROCHIP INTERNET WEB SITE

Microchip provides easy access to our documentation and on-line support through our World Wide Web Site at www.microchip.com. You can download files from the web site or from our FTP site at <ftp://ftp.microchip.com>

CUSTOMER SUPPORT

Users of Microchip products can receive assistance through several channels:

- Distributor or Representative
- Local Sales Office
- Field Application Engineer (FAE)
- Corporate Applications Engineer (CAE)
- Hot line

Customers should call their distributor, representative or field application engineer (FAE) for support. Local sales offices are also available to help customers. See the back cover for a listing of sales offices and locations.

Corporate applications engineers (CAEs) may be contacted at:

- (480) 792-7627.

In addition, there is a Systems Information and Upgrade Line. This line provides system users a listing of the latest versions of all of Microchip's development systems software products. Plus, this line provides information on how customers can receive any currently available upgrade kits.

The Hot Line Numbers are:

- 1-800-755-2345 for U.S. and most of Canada, and
- 1-480-792-7302 for the rest of the world

Chapter 1. Product Overview

1.1 INTRODUCTION AND HIGHLIGHTS

This chapter provides an overview of the MCP1650 Boost Controller Evaluation Board and covers the following topics:

- What the MCP1650 Boost Controller Evaluation Board Is
- What the MCP1650 Boost Controller Evaluation Board includes

1.2 WHAT THE MCP1650 BOOST CONTROLLER EVALUATION BOARD IS

The MCP1650 Boost Controller Evaluation Board is used to evaluate and demonstrate Microchip Technology's MCP1650/51/52/53 Boost Controller product family. This board uses the MCP1650/51/52/53 in two high-power, boost-converter applications. The first application features the MCP1651 (8-pin MSOP) with the low battery detect feature. The input voltage for the MCP1651 application is 2.8V to 4.8V, with the output boosted to 5V. The second application uses the MCP1653 (10-pin MSOP), which features both the low battery detect and power good features. The input voltage for this application is 3.3V, with the output boosted to 12V.

1.3 WHAT THE MCP1650 BOOST CONTROLLER EVALUATION BOARD INCLUDES

This MCP1650 Boost Controller Evaluation Board Kit includes:

- The MCP1650 Boost Controller Evaluation Board
- The MCP1650 Boost Controller Evaluation Board User's Guide
- The MCP1650/51/52/53 Data Sheet

MCP1650/1/2/3 Evaluation Board User's Guide

NOTES:

Chapter 2. Installation and Operation

2.1 INTRODUCTION

The MCP1650 Boost Controller Evaluation Board is designed to demonstrate Microchip's family of high-frequency boost controllers. The product family consists of four high-frequency, boost-converter devices having different combinations of features. All devices in the family feature 750 kHz high-frequency, low quiescent current, shutdown capability and the MSOP package. The MCP1650 8-pin MSOP is the base device. The MCP1651 8-pin MSOP includes all of the features of the MCP1650, with the addition of a low battery detect and low battery output (LBO) indicator. The MCP1652 8-pin MSOP includes all of the features of the MCP1650, with the addition of a power good (PG) indicator. The PG indicator is an open-drain output that is high-impedance when the output voltage of the converter is within $\pm 15\%$ of its intended regulation range. When the output of the regulator is not within the $\pm 15\%$ range, the PG pin will sink up to 10 mA. The MCP1653 10-pin MSOP has all features; the LBO and PG, along with the base features of the MCP1650.

2.2 FEATURES

The MCP1650 Boost Controller Evaluation Board has the following features:

- Evaluation of the MCP1651 in a boost application configured in the Bootstrap mode. This application circuit will regulate the output to 5V while delivering 1A of current as the input voltage varies from 2.8V to 4.8V.
- Evaluation of the MCP1653 in a boost application configured in the non-Bootstrap mode. This application circuit will regulate the output voltage to 12V while delivering 400 mA of output current as the input voltage varies from 3.0V to 3.6V.

2.3 GETTING STARTED

The MCP1650 Boost Controller Evaluation Board is fully assembled and tested for evaluation and demonstration of the MCP1650 family of boost controllers. This board requires the use of external lab supplies and loads. Both application circuits have a fuse for input overcurrent protection. As with all boost converters, there is a path from V_{IN} to V_{OUT} through the boost inductor and output diode. In the case of a shorted output, there is no means of protecting the inductor and diode, so an external fuse is provided.

MCP1651R Application Circuit

1. Powering the MCP1651 bootstrap application circuit:
 - Apply the input voltage to the surface-mount test points provided. The input voltage source should be limited to the 2.8V to 4.8V range to regulate the 5V output. The input voltage must not exceed the +5.5V maximum rating of the MCP165X. The source current necessary to regulate the output voltage to +5V at 1A should be approximately 3A.
 - Connect the positive side of the input source (+) to the + V_{IN-1} test point (TP1). Connect the negative, or return side, (-) of the input source to the GND test point (TP4) located next to + V_{IN-1} .

MCP1650/1/2/3 Evaluation Board User's Guide

- The Under Voltage Lockout (UVLO) feature will prevent the MCP1651 from starting the converter until the input voltage is above the minimum threshold. Once the input voltage is raised above the UVLO threshold, the converter will begin to boost the output voltage up to 5V. The output voltage is fed back to the input so that, once the Boost converter has started, it can run down to lower input voltages at reduced load currents.
2. Applying the load to the MCP1651 bootstrap application circuit:
 - To apply a load to the MCP1651 application circuit, the positive side of the load (+) should be connected to the $+V_{OUT-1}$ test point (TP2). The negative side of the load should be connected to the GND test point (TP3). The maximum load current should not exceed 1A while the input voltage is within the range specified for this application (2.8V to 4.8V).
 3. Using the shutdown feature of the MCP1651 application circuit:
 - To shutdown the MCP1651, use a jumper wire to connect the \overline{SHDN} test point (TP5) to the GND test point (TP4). By grounding the shutdown pin, the MCP1651 will enter the shutdown state and minimum quiescent current will be drawn from the input source. To resume normal operation, remove the jumper pin from the \overline{SHDN} test point to ground and the MCP1651 will start.
 4. Low Input Status LED:
 - The MCP1651 has a low input voltage status indicator that will provide visual indication (via a LED) when the input voltage is below 3V. This LED will illuminate to provide a warning that the input voltage is approaching the minimum 2.8V input voltage.

MCP1653S Application Circuit

1. Powering the MCP1653 non-bootstrap application circuit:
 - Apply the input voltage to the surface-mount test points provided. The input voltage source should be limited to the 3.0V to 3.6V range to regulate the 12V output. The input voltage must not exceed the +5.5V maximum rating of the MCP165X. The source current necessary to regulate the output voltage to +12V at 0.4A should be a minimum of approximately 3A.
 - Connect the positive side of the input source (+) to the $+V_{IN-2}$ test point (TP6). Connect the negative, or return side, (-) of the input source to the GND test point (TP8) located next to $+V_{IN-2}$.
 - The UVLO feature will prevent the MCP1653 from starting the converter until the input voltage is above the minimum threshold. Once the input voltage is raised above the UVLO threshold, the converter will begin to boost the output voltage up to 12V. To maintain regulation of the 12V output, the input voltage range should be between 3.0V and 3.6V.
2. Applying the load to the MCP1653 non-bootstrap application circuit:
 - To apply a load to the MCP1653 application circuit, the positive side of the load (+) should be connected to the $+V_{OUT-2}$ test point (TP7). The negative side of the load should be connected to the GND test point (TP10). The maximum load current should not exceed 0.4A while the input voltage is within the range specified for this application (3.0V to 3.6V).
3. Using the shutdown feature of the MCP1653 application circuit:
 - To shutdown the MCP1653, use a jumper wire to connect the \overline{SHDN} test point (TP9) to the GND test point (TP8). By grounding the shutdown pin, the MCP1653 will enter the shutdown state and minimum quiescent current will be drawn from the input source. To resume normal operation, remove the jumper pin from the \overline{SHDN} test point to ground and the MCP1653 will start.

4. Low Input Status LED:
 - The MCP1653 has a low input voltage status indicator that will provide visual indication (via a LED) when the input voltage is below 3V. This LED will illuminate to provide a warning when the input voltage is at the minimum 3.0V input voltage.
5. Power Good Status Indicator.
 - The MCP1653 has a power good status indicator that will provide a visual indication (via a LED) when the output voltage of the application circuit is more than $\pm 15\%$ out of regulation. D4 will illuminate to indicate that the output voltage is out of regulation.

MCP1650/1/2/3 Evaluation Board User's Guide

NOTES:



MCP1650/1/2/3 EVALUATION BOARD USER'S GUIDE

Appendix A. Schematic and Layouts

A.1 INTRODUCTION

This appendix contains the schematics and layouts for the MCP1650 Boost Controller Evaluation Board.

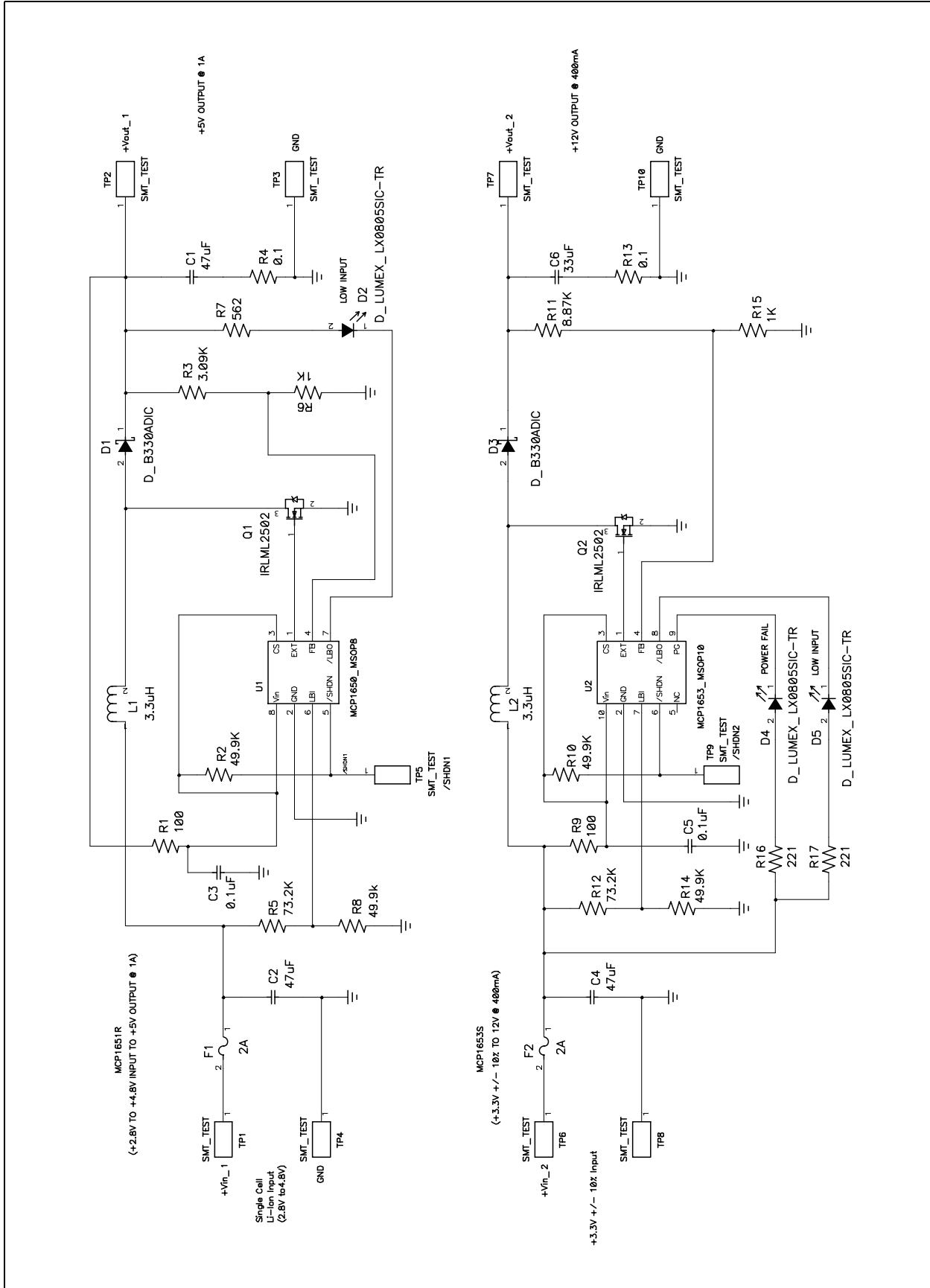
A.2 HIGHLIGHTS

Diagrams included in this appendix:

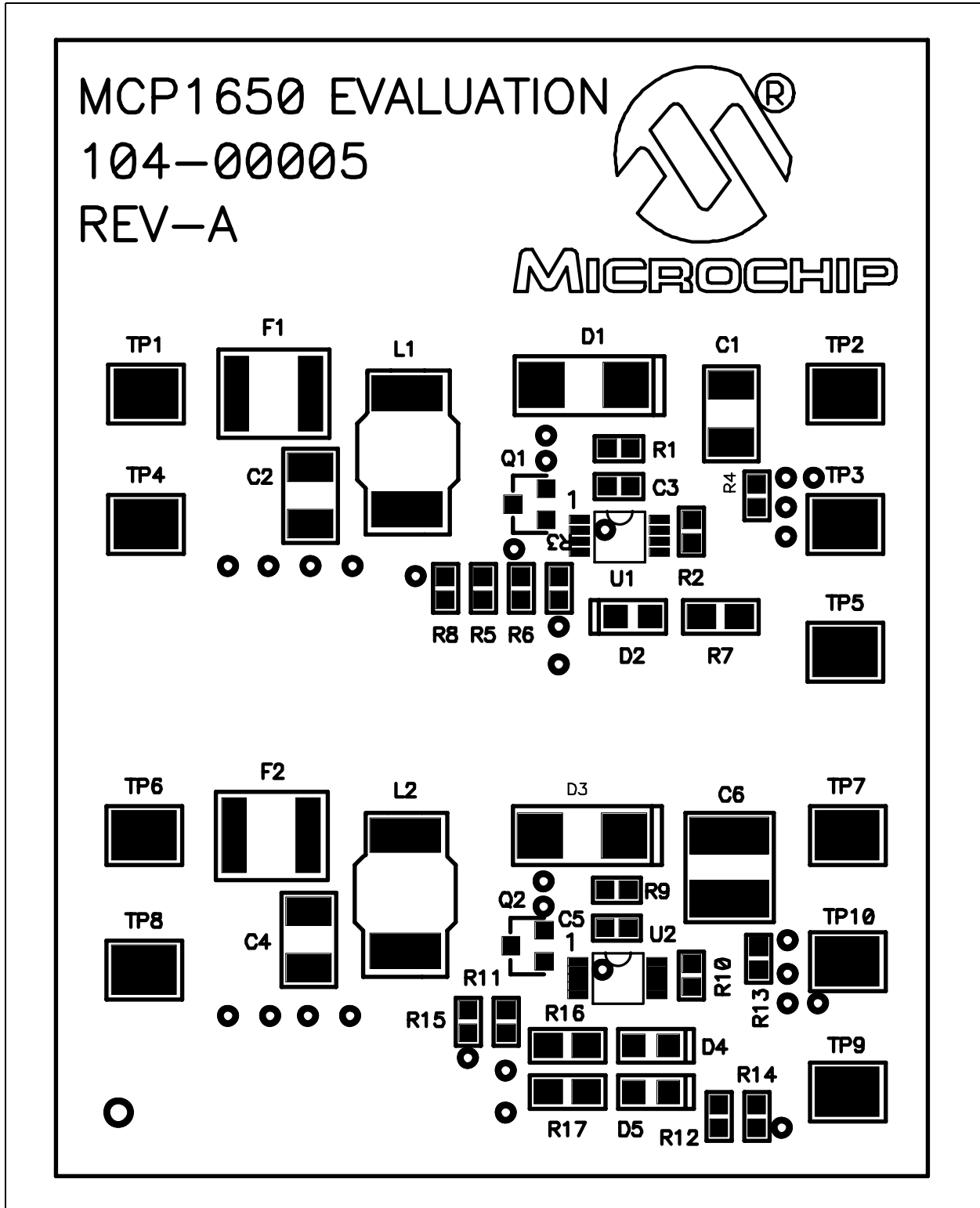
- Board Schematic
- Board – Top Assembly
- Board – Top Layer
- Board – Bottom Layer

MCP1650/1/2/3 Evaluation Board User's Guide

A.3 BOARD SCHEMATIC

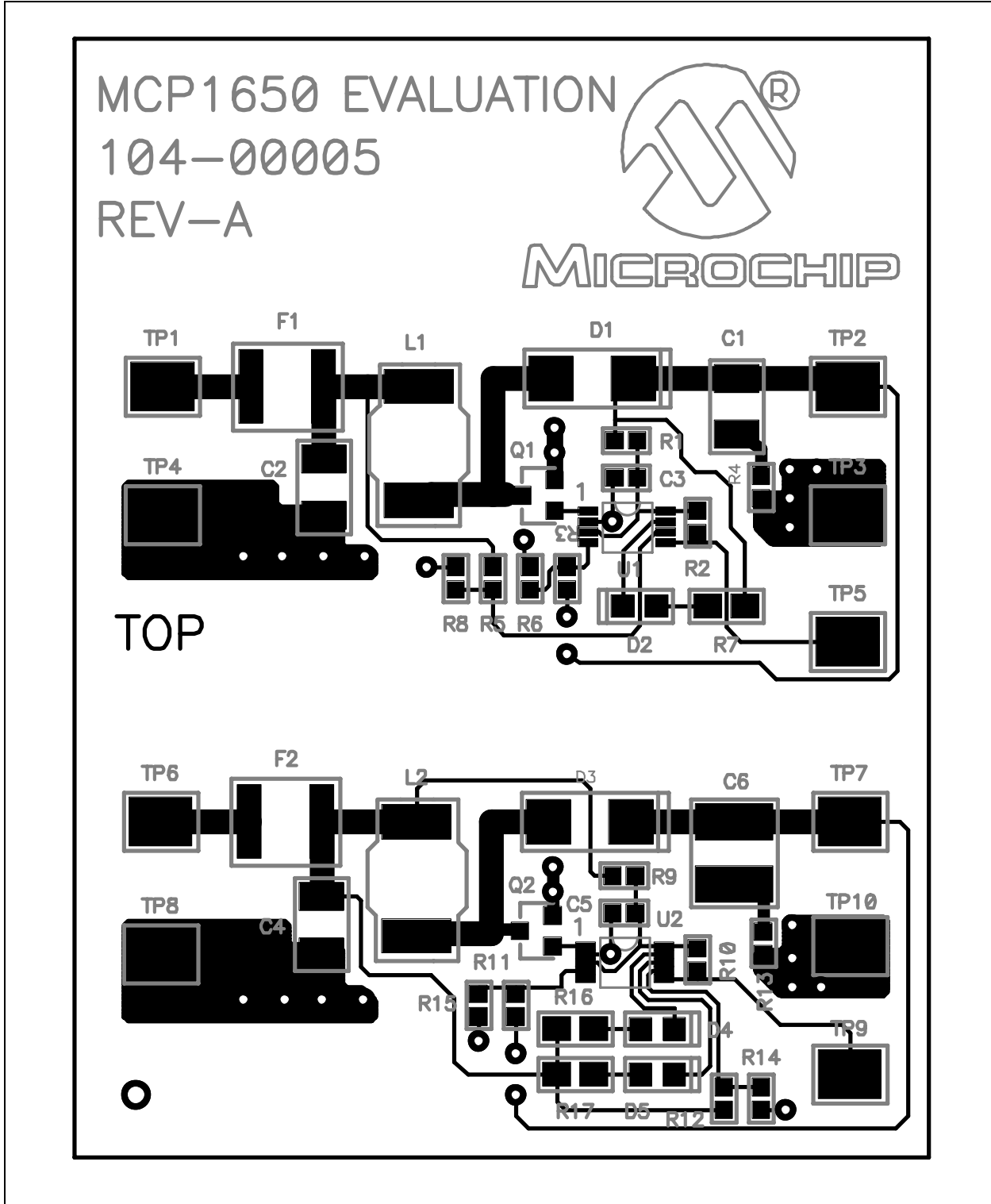


A.4 BOARD - TOP ASSEMBLY

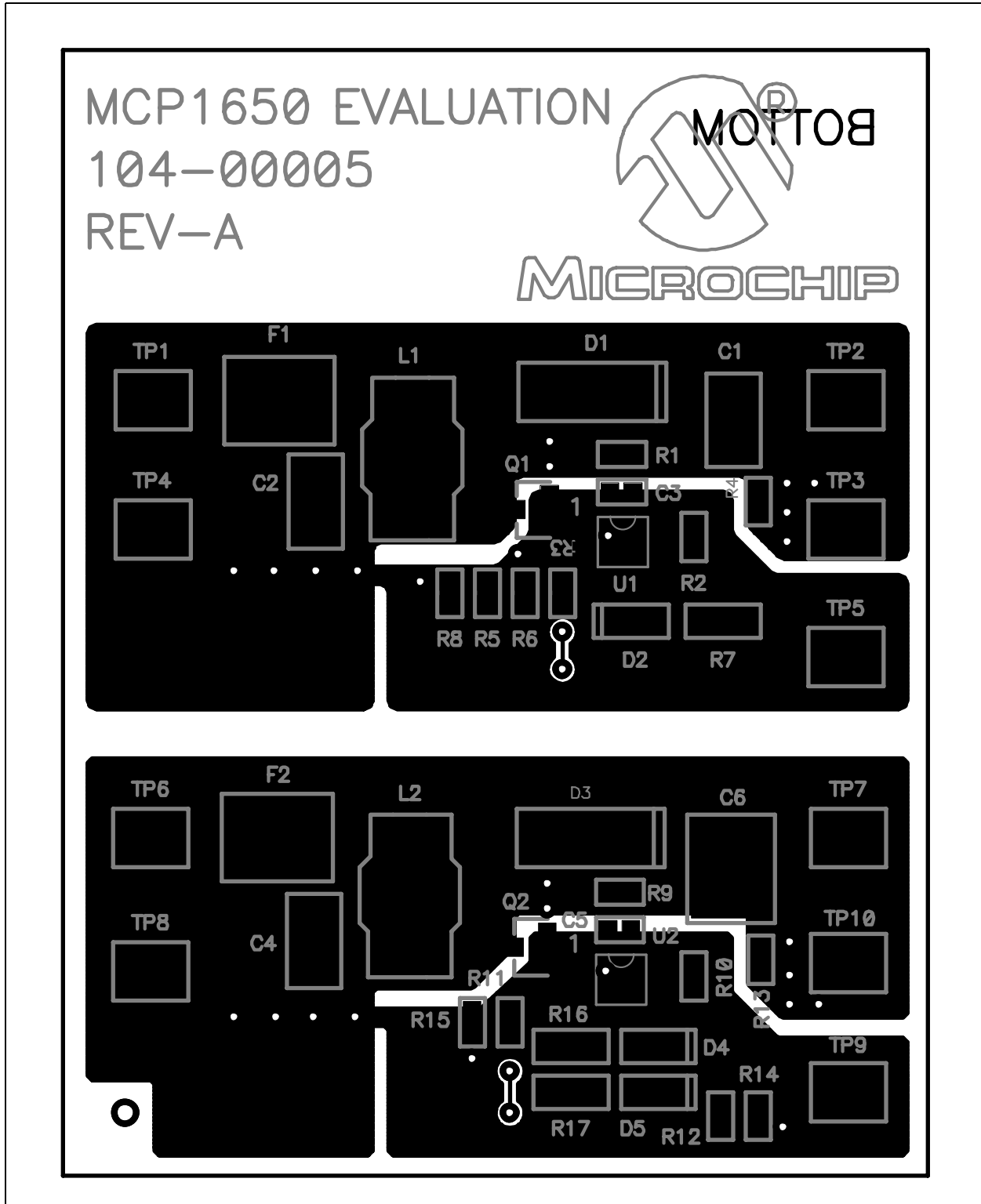


MCP1650/1/2/3 Evaluation Board User's Guide

A.5 BOARD - TOP LAYER



A.6 BOARD - BOTTOM LAYER



MCP1650/1/2/3 Evaluation Board User's Guide

NOTES:

Appendix B. Bill Of Materials (BOM)

TABLE B-1: BILL OF MATERIALS

Qty	Reference	Description	Distributor	Manufacturer	Part Number
3	C1, C2, C4	47 μ F +80/-20%, 6.3VDC, 1210	NA	muRata [®]	GJ232CF50J476ZD01K
2	C3, C5	Capacitor, 10 μ F, 10V, Ceramic, X7R 0603	Digi-Key [®]	Kemet [®]	C0603C104K8RACTU
1	C6	Capacitor, 33 mF, 16V, Ceramic, X5R 20% 1812	Digi-Key	TDK [®]	C4532X5R1C336M
2	D1, D3	Diode, Schottky, 30V, 3A, SMA	Digi-Key	Diodes Inc.	B330A-13
3	D2, D4, D5	LED, 636NM, Super RED, 0805 SMD	Digi-Key	Lumex [®] Opto/Components Inc.	SML-LX0805SIC-TR
2	F1, F2	Polyswitch, 2.0A, Reset Fuse, SMD	Digi-Key	Raychem [®] Corporation	MINISMDC200-2
2	L1, L2	Inductor, 3.3 μ H, SMT	NA	Coilcraft [®]	DO1813HC
2	Q1, Q2	HEX/MOS, N-CH, 20V, 4.2A, SOT-23	Digi-Key	International Rectifier	IRLML2502TR
2	R1, R9	Resistor, 100 Ω , 1/16W, 1%, 0603 SMD	Digi-Key	Panasonic [®] – ECG	ERJ-3EKF1000V
4	R2, R8, R10, R14	Resistor, 49.9 k Ω , 1/16W, 1%, 0603 SMD	Digi-Key	Panasonic – ECG	ERJ-3EKF4992V
1	R3	Resistor, 3.09 k Ω , 1/16W, 1%, 0603 SMD	Digi-Key	Panasonic – ECG	ERJ-3EKF3091V
2	R4, R13	Resistor, .10 Ω , 1/10W, 5%, 0603	Digi-Key	Panasonic – ECG	ERJ-3RSJR10V
2	R5, R12	Resistor, 73.2 k Ω , 1/16W, 1%, 0603 SMD	Digi-Key	Panasonic – ECG	ERJ-3EKF7322V
2	R6, R15	Resistor, 1.00 k Ω , 1/16W, 1%, 0603 SMD	Digi-Key	Panasonic – ECG	ERJ-3EKF1001V
1	R7	Resistor, 562 Ω , 1/10W, 1%, 0805 SMD	Digi-Key	Panasonic – ECG	ERJ-6ENF5620V
1	R11	Resistor, 8.87 k Ω , 1/16W, 1%, 0603 SMD	Digi-Key	Panasonic – ECG	ERJ-3EKF8871V
1	R16, R17	Resistor, 221 Ω , 1/10W, 1%, 0805 SMD	Digi-Key	Panasonic – ECG	ERJ-6ENF2210V
10	TP1-TP10	PC Test Point, Compact, SMT	Digi-Key	Keystone [®] Electronics	5016
1	U1	Boost Controller, MCP1651	Microchip Technology Inc.	Microchip Technology Inc.	MCP1651R
1	U2	Boost Controller, MCP1653	Microchip Technology Inc.	Microchip Technology Inc.	MCP1653S
1	B1, B2, B3, B4	Bump, Hemisphere, .44x.20, Black	Digi-Key	3M [®] /ESM	SJ-5003 (BLACK)

Note: SMT denotes surface-mount package



WORLDWIDE SALES AND SERVICE

AMERICAS

Corporate Office

2355 West Chandler Blvd.
Chandler, AZ 85224-6199
Tel: 480-792-7200
Fax: 480-792-7277
Technical Support: 480-792-7627
Web Address: <http://www.microchip.com>

Atlanta

3780 Mansell Road, Suite 130
Alpharetta, GA 30022
Tel: 770-640-0034
Fax: 770-640-0307

Boston

2 Lan Drive, Suite 120
Westford, MA 01886
Tel: 978-692-3848
Fax: 978-692-3821

Chicago

333 Pierce Road, Suite 180
Itasca, IL 60143
Tel: 630-285-0071
Fax: 630-285-0075

Dallas

4570 Westgrove Drive, Suite 160
Addison, TX 75001
Tel: 972-818-7423
Fax: 972-818-2924

Detroit

Tri-Atria Office Building
32255 Northwestern Highway, Suite 190
Farmington Hills, MI 48334
Tel: 248-538-2250
Fax: 248-538-2260

Kokomo

2767 S. Albright Road
Kokomo, IN 46902
Tel: 765-864-8360
Fax: 765-864-8387

Los Angeles

18201 Von Karman, Suite 1090
Irvine, CA 92612
Tel: 949-263-1888
Fax: 949-263-1338

San Jose

1300 Terra Bella Avenue
Mountain View, CA 94043
Tel: 650-215-1444
Fax: 650-961-0286

Toronto

6285 Northam Drive, Suite 108
Mississauga, Ontario L4V 1X5, Canada
Tel: 905-673-0699
Fax: 905-673-6509

ASIA/PACIFIC

Australia

Suite 22, 41 Rawson Street
Epping 2121, NSW
Australia
Tel: 61-2-9868-6733
Fax: 61-2-9868-6755

China - Beijing

Unit 706B
Wan Tai Bei Hai Bldg.
No. 6 Chaoyangmen Bei Str.
Beijing, 100027, China
Tel: 86-10-85282100
Fax: 86-10-85282104

China - Chengdu

Rm. 2401-2402, 24th Floor,
Ming Xing Financial Tower
No. 88 TIDU Street
Chengdu 610016, China
Tel: 86-28-86766200
Fax: 86-28-86766599

China - Fuzhou

Unit 28F, World Trade Plaza
No. 71 Wusi Road
Fuzhou 350001, China
Tel: 86-591-7503506
Fax: 86-591-7503521

China - Hong Kong SAR

Unit 901-6, Tower 2, Metroplaza
223 Hing Fong Road
Kwai Fong, N.T., Hong Kong
Tel: 852-2401-1200
Fax: 852-2401-3431

China - Shanghai

Room 701, Bldg. B
Far East International Plaza
No. 317 Xian Xia Road
Shanghai, 200051
Tel: 86-21-6275-5700
Fax: 86-21-6275-5060

China - Shenzhen

Rm. 1812, 18/F, Building A, United Plaza
No. 5022 Binhe Road, Futian District
Shenzhen 518033, China
Tel: 86-755-82901380
Fax: 86-755-8295-1393

China - Shunde

Room 401, Hongjian Building, No. 2
Fengxiangnan Road, Ronggui Town, Shunde
District, Foshan City, Guangdong 528303, China
Tel: 86-757-28395507 Fax: 86-757-28395571

China - Qingdao

Rm. B505A, Fullhope Plaza,
No. 12 Hong Kong Central Rd.
Qingdao 266071, China
Tel: 86-532-5027355 Fax: 86-532-5027205

India

Divyasree Chambers
1 Floor, Wing A (A3/A4)
No. 11, O'Shaughnessy Road
Bangalore, 560 025, India
Tel: 91-80-22290061 Fax: 91-80-22290062

Japan

Benex S-1 6F
3-18-20, Shinyokohama
Kohoku-Ku, Yokohama-shi
Kanagawa, 222-0033, Japan
Tel: 81-45-471-6166 Fax: 81-45-471-6122

Korea

168-1, Youngbo Bldg. 3 Floor
Samsung-Dong, Kangnam-Ku
Seoul, Korea 135-882
Tel: 82-2-554-7200 Fax: 82-2-558-5932 or
82-2-558-5934

Singapore

200 Middle Road
#07-02 Prime Centre
Singapore, 188980
Tel: 65-6334-8870 Fax: 65-6334-8850

Taiwan

Kaohsiung Branch
30F - 1 No. 8
Min Chuan 2nd Road
Kaohsiung 806, Taiwan
Tel: 886-7-536-4818
Fax: 886-7-536-4803

Taiwan

Taiwan Branch
11F-3, No. 207
Tung Hua North Road
Taipei, 105, Taiwan
Tel: 886-2-2717-7175 Fax: 886-2-2545-0139

EUROPE

Austria

Durisolstrasse 2
A-4600 Wels
Austria
Tel: 43-7242-2244-399
Fax: 43-7242-2244-393

Denmark

Regus Business Centre
Lautrup høj 1-3
Ballerup DK-2750 Denmark
Tel: 45-4420-9895 Fax: 45-4420-9910

France

Parc d'Activite du Moulin de Massy
43 Rue du Saule Trapu
Batiment A - 1er Etage
91300 Massy, France
Tel: 33-1-69-53-63-20
Fax: 33-1-69-30-90-79

Germany

Steinheilstrasse 10
D-85737 Ismaning, Germany
Tel: 49-89-627-144-0
Fax: 49-89-627-144-44

Italy

Via Quasimodo, 12
20025 Legnano (MI)
Milan, Italy
Tel: 39-0331-742611
Fax: 39-0331-466781

Netherlands

P. A. De Biesbosch 14
NL-5152 SC Drunen, Netherlands
Tel: 31-416-690399
Fax: 31-416-690340

United Kingdom

505 Eskdale Road
Wokingham
Wokingham
Berkshire, England RG41 5TU
Tel: 44-118-921-5869
Fax: 44-118-921-5820

02/17/04