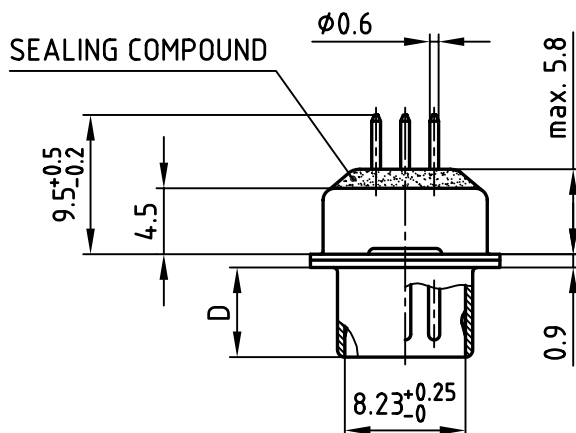
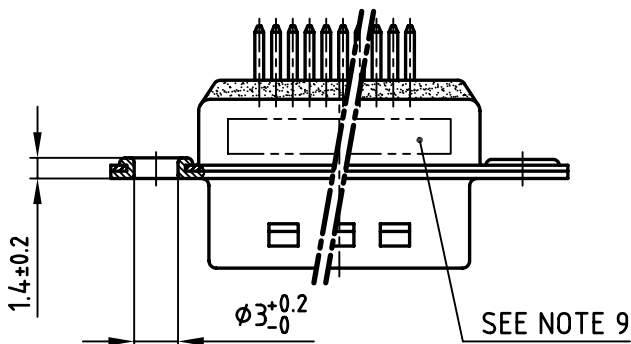
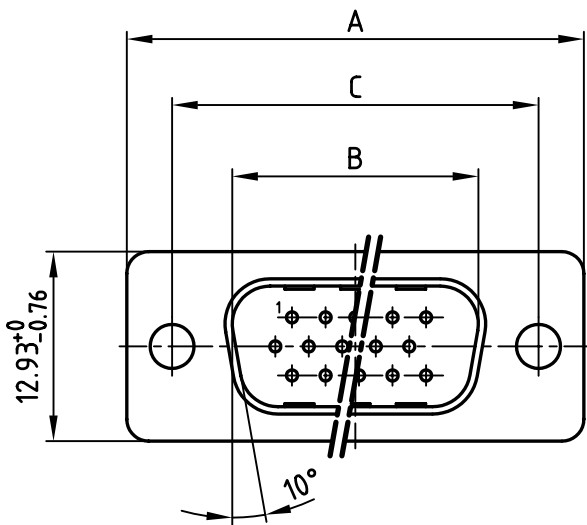


used for: D-SUB HD FILTER

POS.	A <sup>-0.76</sup>	B <sup>+0.25</sup>	C	D <sup>-0.3</sup>	PART-NO.
15	31.19	16.79	25.00 <sup>+0.12</sup> <sub>-0.13</sub>	6.12	241A16420X
26	39.52	25.12	33.30 <sup>+0.15</sup> <sub>-0.1</sub>	6.12	241A16430X
44	53.42	38.84	47.04 <sup>±0.13</sup>	5.99	241A16440X
62	69.70	55.30	63.50 <sup>±0.13</sup>	5.99	241A16450X



**NOTES:**

- RoHS COMPLIANT
- SUITABLE FOR WAVE SOLDERING
- METALSHELLS: STEEL; min. 315µm TIN over 40-80µm NICKEL
- INSULATORS: HIGH TEMPERATURE PLASTIC UL 94 V-0, BLACK
- CONTACTS: COPPER ALLOY  
PLATING: 8µm HARD GOLD over min. 50µm NICKEL  
CONTACT TAILS PRETINNED
- P.C.B. HOLE DRILLINGS ON SHEET 2
- CAPACITANCE: 830pF ±20%
- DIELECTRIC WITHSTANDING VOLTAGE: 300 VDC
- CONNECTOR IS PART MARKED: PART-NO. CONEC ABC



APPROVAL # FREIGABE # DEBLOCAGE # AUTORIZACION # APPROVAL	
CUSTOMER APPROVAL DATE:	
NAME:	TITLE:
COMPANY NAME:	
APPROVAL # FREIGABE # DEBLOCAGE # AUTORIZACION # APPROVAL	

THIS DRAWING MAY NOT BE COPIED OR REPRODUCED IN ANY WAY, AND MAY NOT BE PASSED ON TO A THIRD PARTY WITHOUT WRITTEN PERMISSION.  
 OWNERSHIP AND COPYRIGHT OF CONEC GmbH  
 DO NOT ALTER CAD DRAWING BY HAND

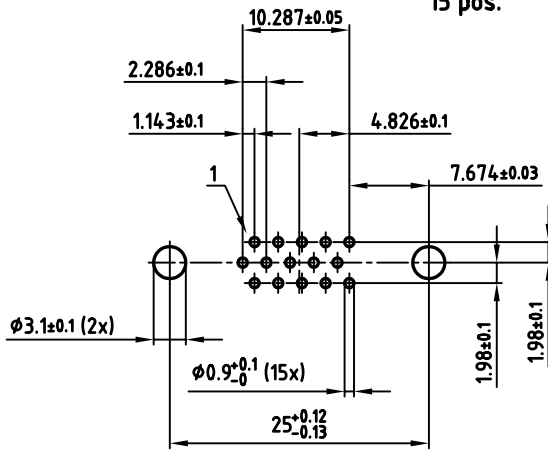
tolerance		 dim. in mm	scale: 2:1
			material: SEE NOTES
		title: D-SUB HD FILTER MALE 15-62pos. SOLDER PIN STRAIGHT	
		dwg no: AutoCAD 2006	
		24K1A998	
		part no: SEE TABLE	
2007	date	name	
drawn	22.05.	Lehmenkühler	
appd.	22.05.	Fischer	
norm		DIN 41652	
d-old			
a	Origin		
rev.	description	date	name



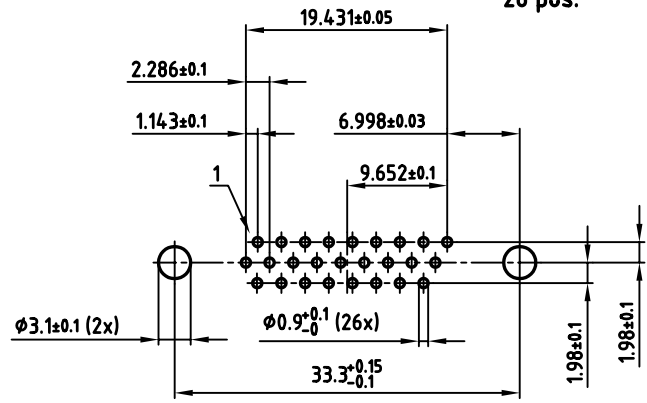
DIN-A  
4  
sh:1/2

used for: D-SUB HD FILTER

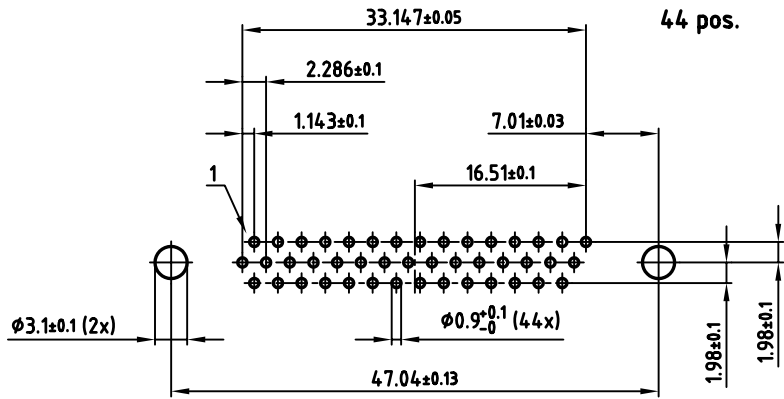
15 pos.



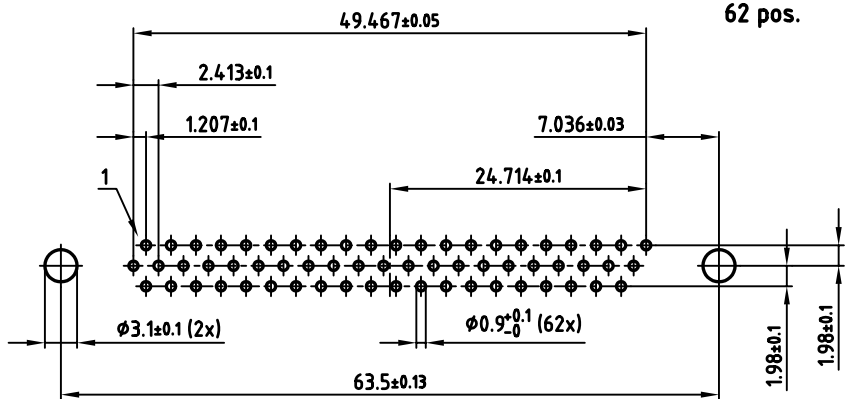
26 pos.



44 pos.



62 pos.



APPROVAL # FREIGABE # DEBLOCAGE # AUTORIZACION # APPROVAL

CUSTOMER APPROVAL DATE:

NAME: TITLE:

COMPANY NAME:

APPROVAL # FREIGABE # DEBLOCAGE # AUTORIZACION # APPROVAL

THIS DRAWING MAY NOT BE COPIED OR REPRODUCED IN ANY WAY, AND MAY NOT BE PASSED ON TO A THIRD PARTY, WITHOUT WRITTEN PERMISSION. OWNERSHIP AND COPYRIGHT OF CONEC GmbH DO NOT ALTER CAD DRAWING BY HAND

rev.	description	date	name
a	Origin		

tolerance	dim. in mm
2007	date
drawn	22.05. Lehmenkühler
appd.	22.05. Fischer
norm	DIN 41652
d-old	

scale: 2:1

material: SEE SHEET 1

title: P.C.B. HOLE DRILLINGS  
D-SUB HD FILTER MALE 15-62pos. SOLDER PIN

dwg no: AutoCAD 2006 DIN-A  
24K1A998 3  
sh:2/2

part no: SEE SHEET 1

6

5

4

2

1