

1

2

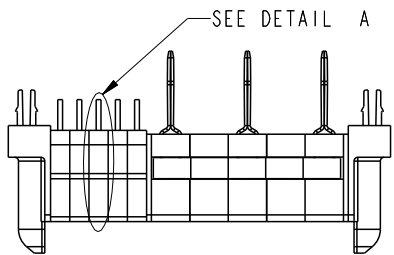
3

4

PRODUCT NO.	ROWS	SIGNAL					POWER					E1	
		E2	5	4	3	2	1	P5	P4	P3	P2		P1
51940-551-- NOTE: 3	D C B A		E	E	E	E	E	PG	X	PH	X	PH	

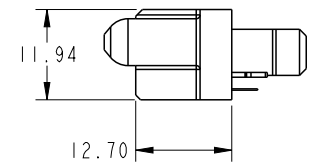
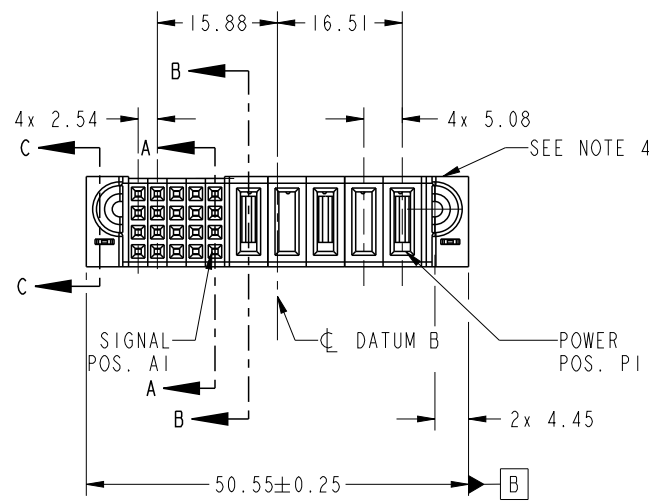
A

A



B

B



C

C

CODE	DIM "M" MATING LENGTH	CONTACT TYPE
E	[N/A]	SIGNAL
HA	[N/A]	HOLD-DOWN
PG	[1.07]	POWER
PH	[2.34]	POWER
X	[N/A]	OMITTED

D

D

spec ref	SEE NOTES	dr	Luo Weller	2014/10/15	projection	MM	size	A4	scale	1:1	
tolerance std	TOLERANCES UNLESS OTHERWISE SPECIFIED	eng	Luo Weller	2014/10/30			ecn no	-			
SEE NOTE		chr	-	-							
surface	linear	0.X	±0.5		www.fci.com	product family	PwrBlade	rel level	Released		
		0.XX	±0.25			title	5DCP+20S	dwg no	51940-551	rev	A
	angular	0°	±2°			cat. no.	-	Product - Customer Drw	sheet 1 of 4		

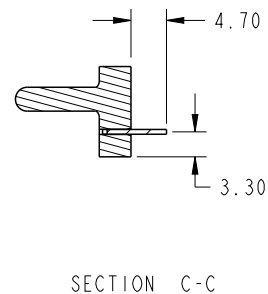
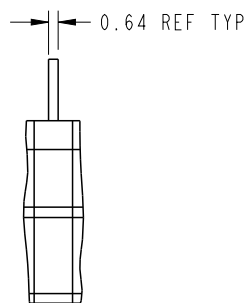
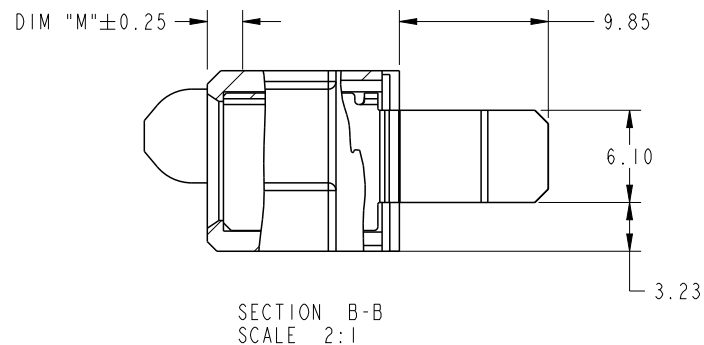
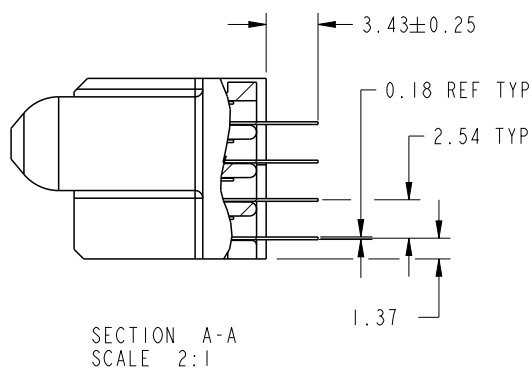
PrdE File - REV C - 2009-06-09



Copyright FCI.

PRODUCT NUMBER

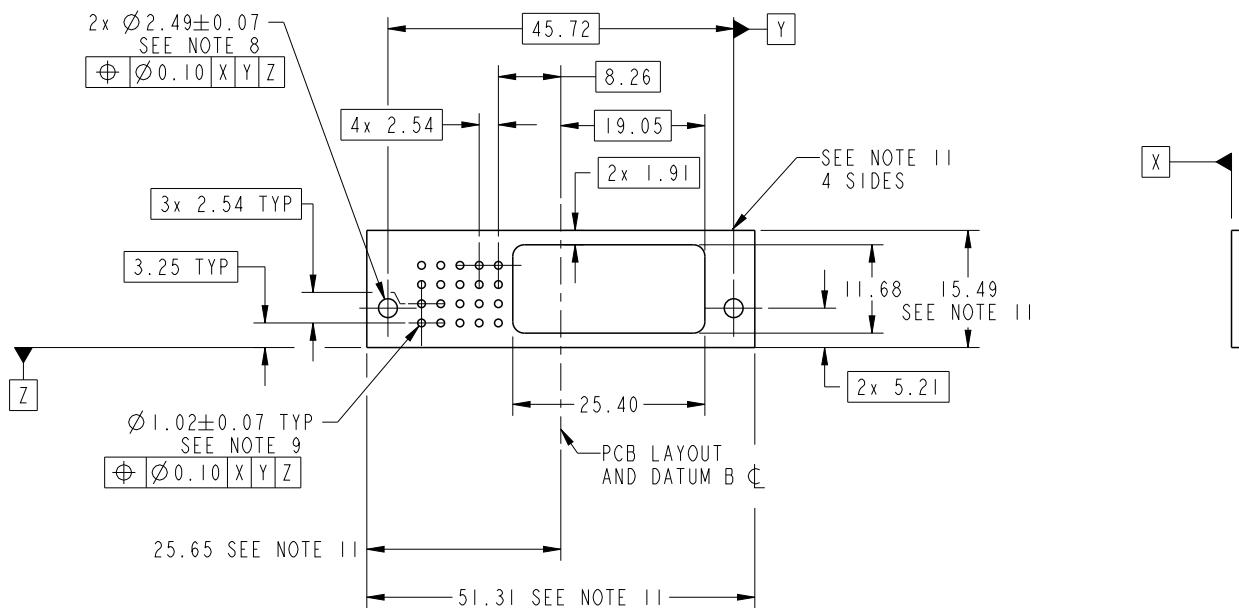
51940-551__
NOTE: 3



dr	Luo Weller	2014/10/15	projection 	MM 	size	A4	scale	1:1
eng	Luo Weller	2014/10/30			ecn no	-		
chr	-	-			rel level	Released		
appr	Pei-Ming Zheng	2014/10/30	product family	PwrBlade	rev	A		
	title	5DCP+20S VERTICAL SOLDER RECEPT		dwg no	51940-551			
www.fci.com	cat. no.	-	Product - Customer Drw		sheet 2 of 4			

PRODUCT NUMBER

51940-551--
NOTE: 3



RECOMMENDED PCB LAYOUT

dr	Luo Weller	2014/10/15	projection 	MM 	size	A4	scale	1:1
eng	Luo Weller	2014/10/30			ecn no	-		
chr	-	-			rel level	Released		
appr	Pei-Ming Zheng	2014/10/30	product family	PwrBlade	rev	A		
	title	5DCP+20S VERTICAL SOLDER RECEIPT		dwg no	51940-551			
www.fci.com	cat. no.	-	Product - Customer Drw	sheet 3 of 4				

PRODUCT NUMBER

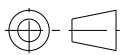


51940-551--
NOTE: 3

NOTES:

1. DIMENSIONS AND TOLERANCES ARE IN ACCORDANCE WITH ASME Y14.5M, 1994 UNLESS OTHERWISE SPECIFIED.

CONNECTOR NOTES:

- ② HOUSING MATERIAL: UL 94 V-0 GLASS FILLED HIGH-TEMP THERMOPLASTIC
POWER CONTACT MATERIAL: COPPER ALLOY
SIGNAL PIN MATERIAL: COPPER ALLOY
- 3. SEE ITEM 5 & 6 IN PRINT 10064183 FOR PLATING SPEC OF 51940-551 AND 51940-551LF RESPECTIVELY.
- ④ MANUFACTURER'S NAME, DATE CODE AND OPTIONAL P/N TO APPEAR ON THIS SURFACE. THE P/N CAN BE OMITTED IF THERE IS NOT ENOUGH SPACE ON THIS SURFACE.
- 5. PRODUCT SPECIFICATION GS-12-149.
APPLICATION SPECIFICATION BUS-20-067.
- 6. PACKAGED IN TRAYS.
- PCB NOTES:
- 7. ALL HOLE DIAMETERS ARE FINISHED HOLE SIZE.
- ⑧ $\varnothing 2.621 \pm 0.025$ DRILLED HOLES PLATED WITH
0.008 MIN SnPb OR Sn OVER 0.03
TO 0.08 Cu PLATING TO ACHIEVE
 $\varnothing 2.49 \pm 0.07$ HOLE.
- ⑨ $\varnothing 1.151 \pm 0.025$ DRILLED HOLES PLATED WITH
0.008 MIN SnPb OR Sn OVER 0.03
TO 0.08 Cu PLATING TO ACHIEVE
 $\varnothing 1.02 \pm 0.07$ HOLE.
- ⑩ "DIM XXX" TO BE DETERMINED BY THE CUSTOMER.
- ⑪ CONNECTOR KEEP-OUT ZONE.

dr	Luo Weller	2014/10/15	projection 	MM 	size	A4	scale	1:1	
eng	Luo Weller	2014/10/30			ecn no	-			
chr	-	-			rel level	Released			
appr	Pei-Ming Zheng	2014/10/30	product family	PwrBlade					
	title	5DCP+20S VERTICAL SOLDER RECEPT			dwg no	51940-551		rev	A
www.fci.com	cat. no.	-	Product - Customer Drw			sheet 4 of 4			