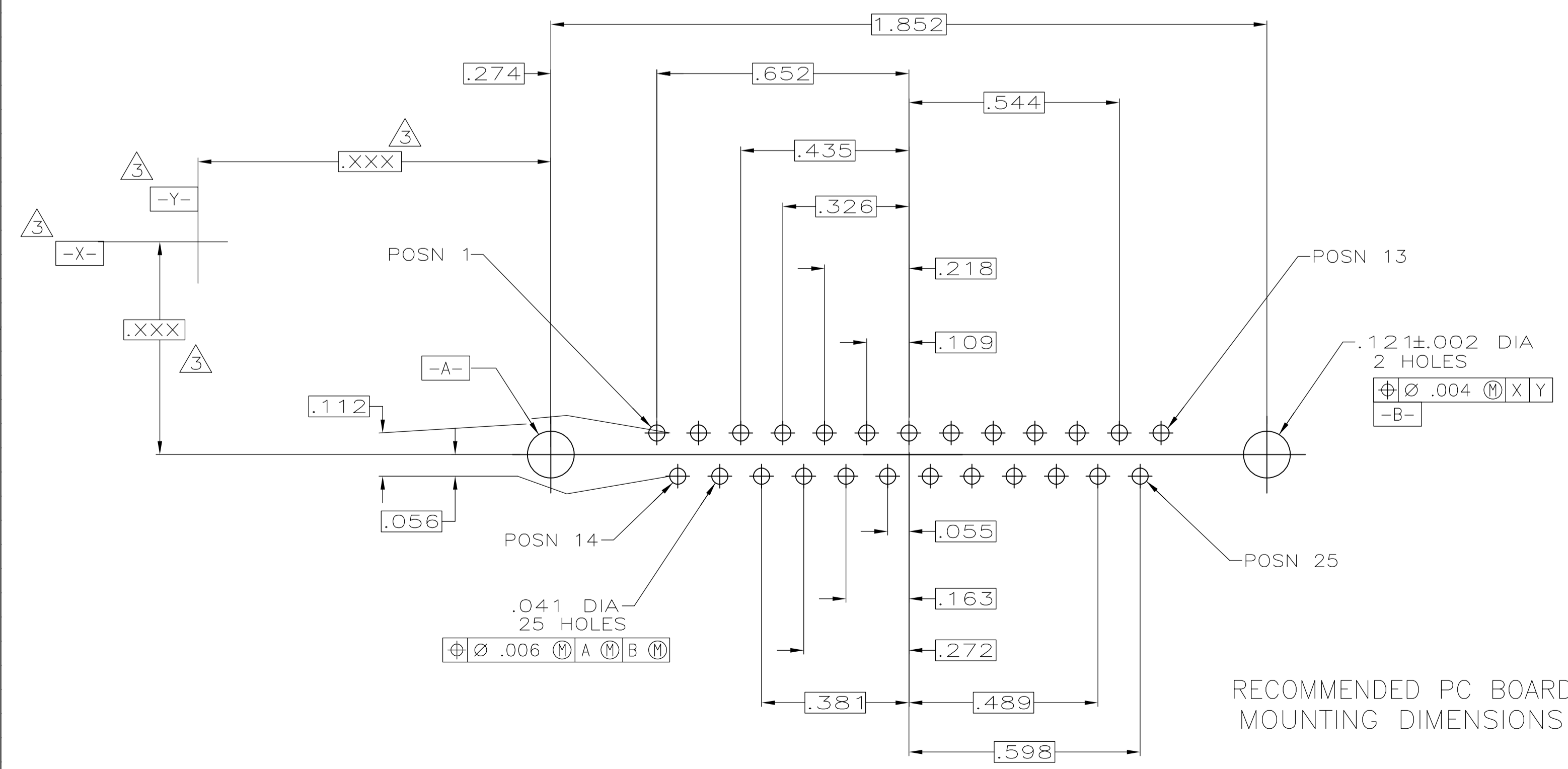
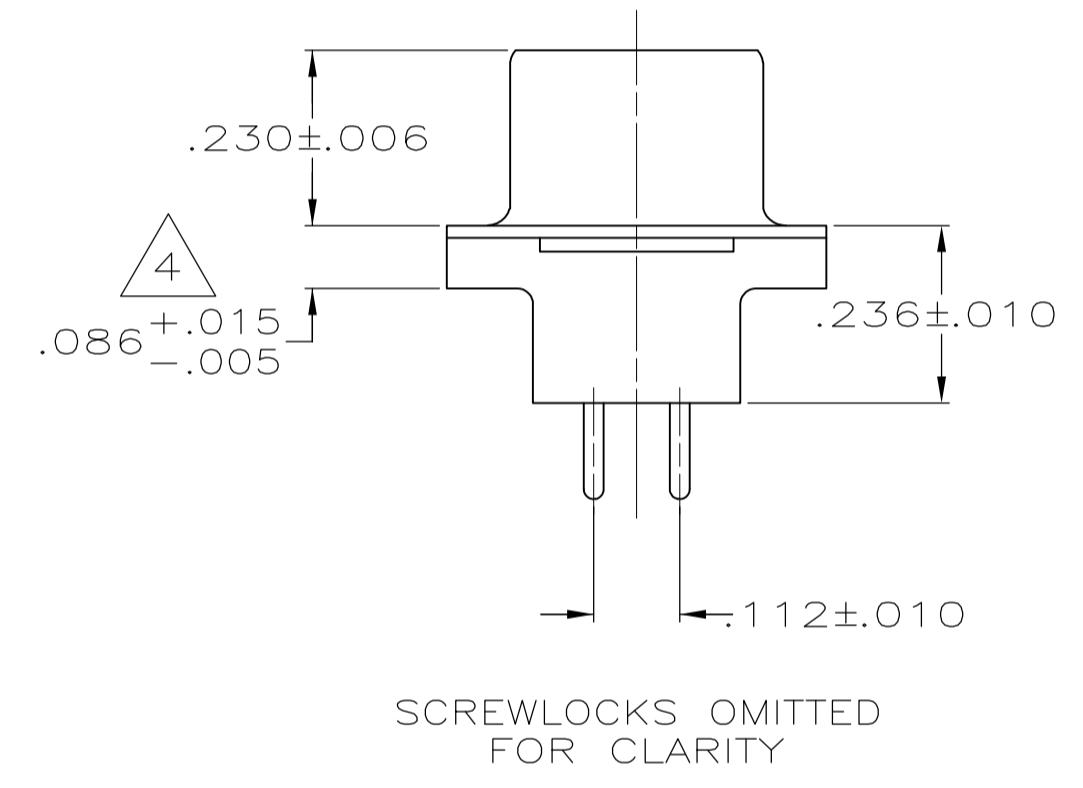
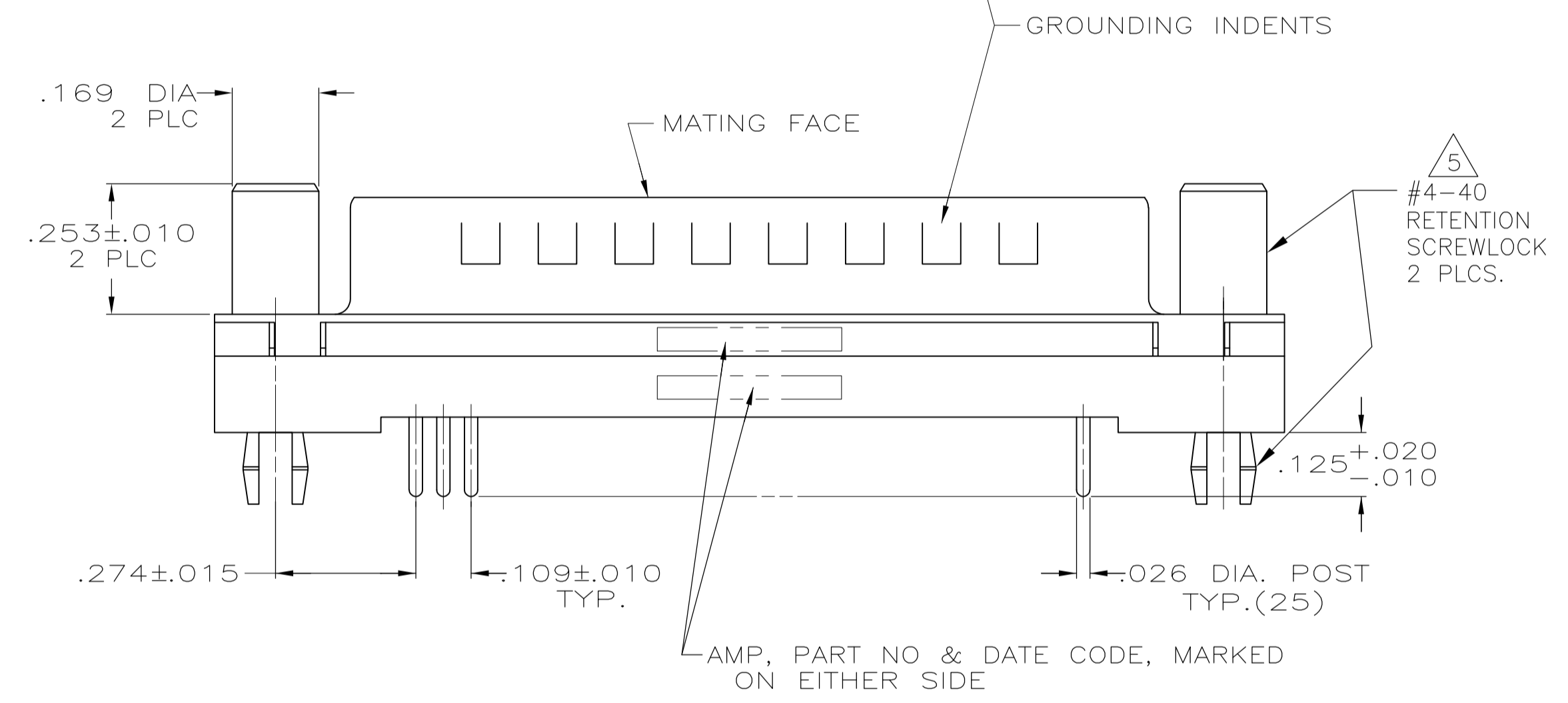


- ① HOUSING: FLAME RETARDANT 94V-0 RATED THERMOPLASTIC, BLACK  
 SHELLS: CARBON STEEL  
 CONTACTS: BRASS  
 SCREWLOCKS: BRASS
- ② SHELLS: .000200 MIN TIN OVER .000100 COPPER.  
 SCREWLOCKS: .000100 MIN TIN-LEAD OVER .000050 MIN NICKEL OVER COPPER FLASH.  
 CONTACTS: GOLD PLATED FOR A LENGTH OF .150 FROM MATING END, .000030 MIN GOLD IN MATED AREA, .000100-.000200 BRIGHT TIN OR BRIGHT TIN-LEAD ON SOLDER END, ALL OVER .000050 MIN NICKEL ON ENTIRE CONTACT.  
 -OR-  
 GOLD FLASH OVER PALLADIUM NICKEL PLATED FOR LENGTH OF .150 FROM MATING END, .000030 MIN PALLADIUM NICKEL IN MATED AREA, .000100-.000200 BRIGHT TIN OR BRIGHT TIN-LEAD ON SOLDER END, ALL OVER .000050 MIN NICKEL ON ENTIRE CONTACT.
- ③ DATUMS AND BASIC DIMENSIONS ESTABLISHED BY CUSTOMERS.
- ④ .110 MAX IN SHELL TAB CLINCH AREAS.
- ⑤ ORIENTATION IS OPTIONAL AND MAY NOT BE AS SHOWN.



RECOMMENDED PC BOARD MOUNTING DIMENSIONS

748027-1  
PART NUMBER

THIS DRAWING IS A CONTROLLED DOCUMENT.		DIN S. WELDON 05/09/85	Tyco Electronics Corporation Harrisburg, PA 17105-3608
DIMENSIONS: INCHES		CIK J. GERACE 07/17/85	
TOLERANCES UNLESS OTHERWISE SPECIFIED:		APVD	NAME
0 PLC ± -	1 PLC ± -	PRODUCT SPEC 108-40025	
2 PLC ± -	3 PLC ± .005	APPLICATION SPEC 114-40023	
4 PLC ± -	ANGLES ± -	SIZE	CAGE CODE DRAWING NO. RESTRICTED TO
MATERIAL	FINISH	WEIGHT	A1 00779 C=748027
CUSTOMER DRAWING		SCALE 4:1	SHEET 1 OF 1 REV