

THIS DRAWING IS UNPUBLISHED.

RELEASED FOR PUBLICATION

ALL RIGHTS RESERVED.

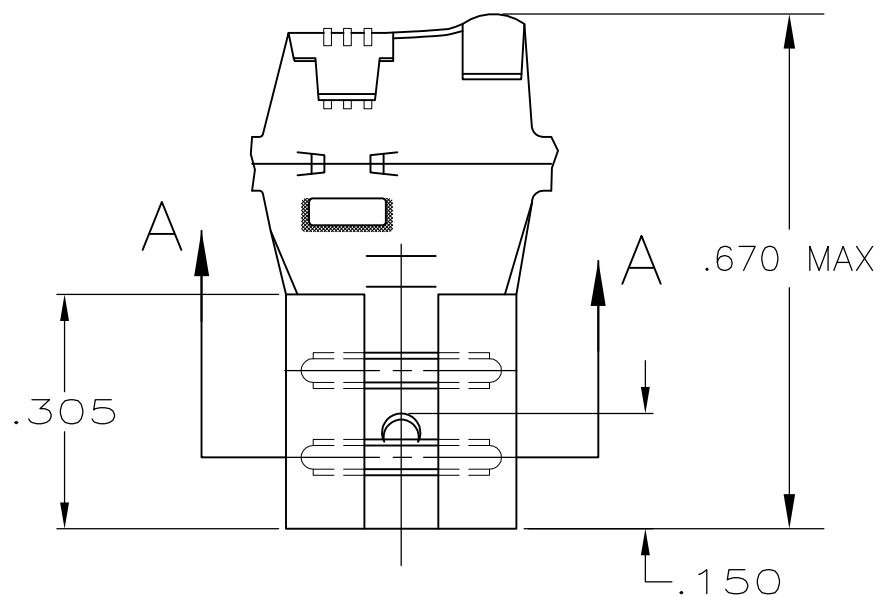
© COPYRIGHT - By -

LOC
AF

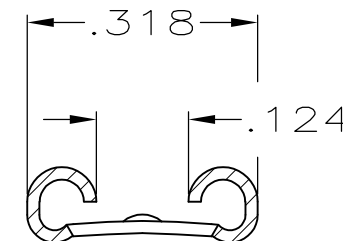
DIST
50

REVISIONS

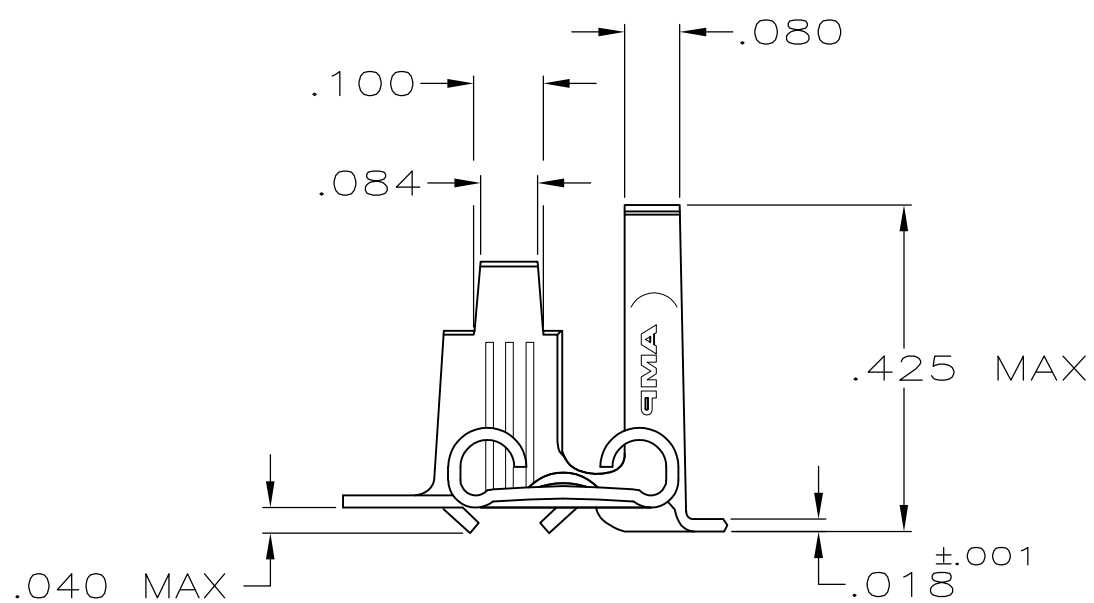
P	LTR	DESCRIPTION	DATE	DWN	APVD
	M1	REVISED PER ECO-13-001206	23JAN13	JR	PD



- 1 CONTINUOUS STRIP ON REELS
- 2 WIRE SIZE IS 18-12 AWG
- 3 INSULATION RANGE IS .110-.210 DIA
- 4 MATING TAB THK IS .032±.001
- 5 OBSOLETE PARTS: OBSOLETE CIS STREAMLINING PER D.RENAUD/D.SINISI



SECTION A-A



	FINISH	MATERIAL	PART NO
5	TIN .000080 MIN	T4 BRASS	60274-4
	SILVER	T3 PHOS BRZ	60274-3
	TIN	T3 PHOS BRZ	60274-2
	-	T3 PHOS BRZ	60274-1

THIS DRAWING IS A CONTROLLED DOCUMENT.		DWN JR RUTH 6/7/91	TE Connectivity RECEPTACLE, FASTON, FLAG, LEFT HAND, .250 SERIES				
DIMENSIONS: INCHES		CHK MS FEHER 6/7/91				NAME	
TOLERANCES UNLESS OTHERWISE SPECIFIED:		APVD R REINER 6/7/91				SIZE	
0 PLC ± - 1 PLC ± - 2 PLC ± - 3 PLC ± .015 4 PLC ± - ANGLES ± -		PRODUCT SPEC				CAGE CODE	
MATERIAL SEE TABLE		FINISH SEE TABLE	APPLICATION SPEC	DRAWING NO			
		WEIGHT	A300779		RESTRICTED TO		
		CUSTOMER DRAWING		SCALE 4:1	SHEET 1 OF 1		
				REV M1			