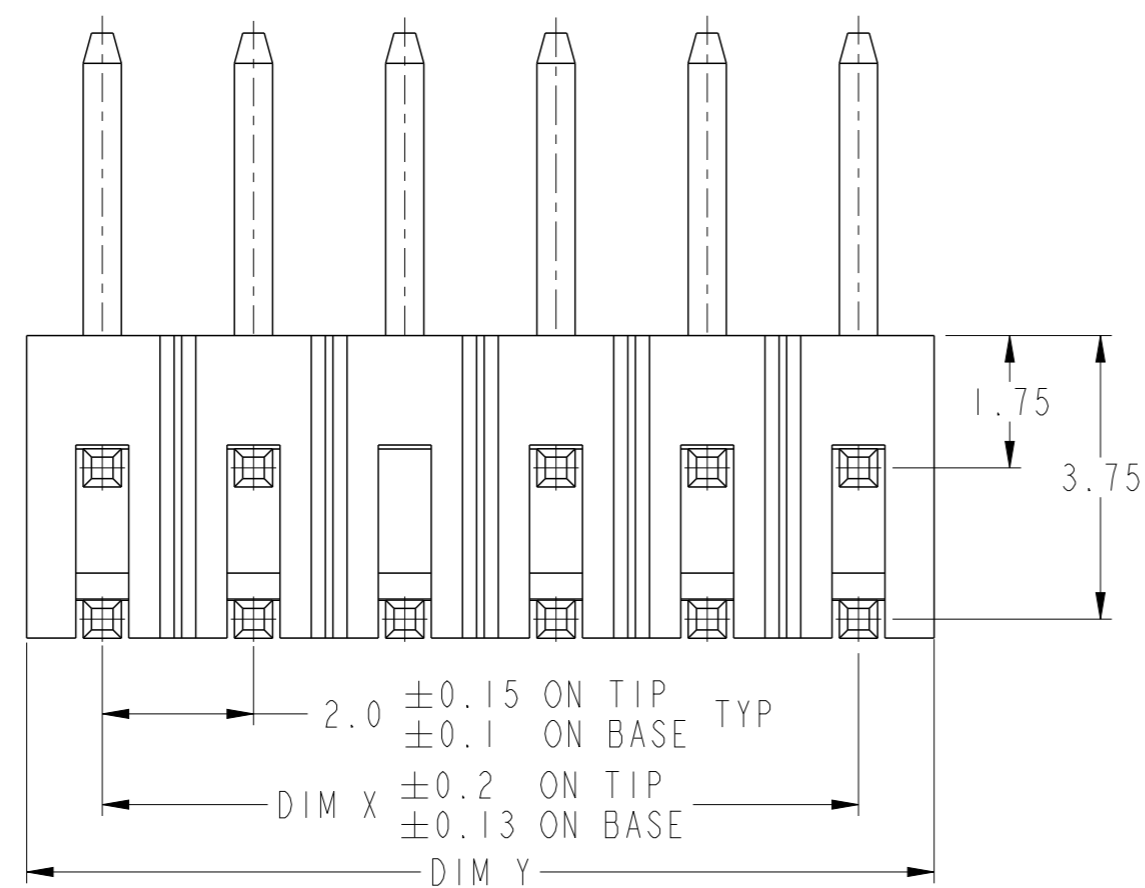
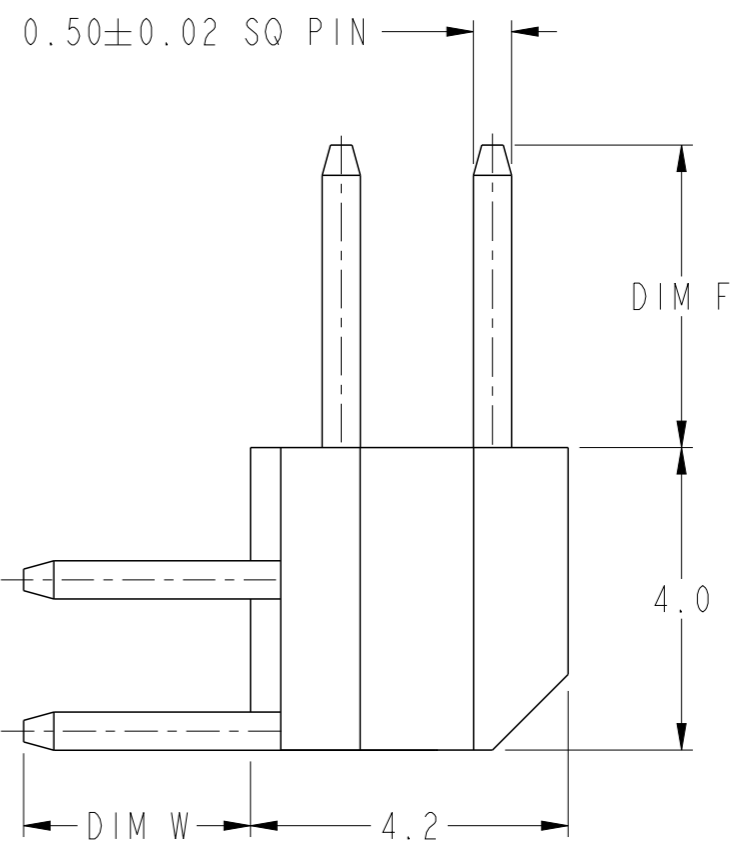


SCALE 5:1



Copyright FCI.

spec ref	-	dr	Andrew Yong	2010/10/21	projection	MM	size	A3	scale	5:1	
tolerance std	ISO 406 ISO 1101	eng	Guo-Min Sun	2014/02/25			ecn no	ELX-N-17048-1			
surface	ISO 1302	chr	-	-			product family	MINITEK	rel level	Released	
linear	0.X ±- 0.XX ±0.25 0.XXX ±-	appr	Rick Bian	2014/02/26			dwg no	94278		rev	AA
angular	0° ±°	www.fci.com		cat. no.	-	Product - Customer Drw		sheet 1 of 3			

1		2		3				4	
PRODUCT NO	PRODUCT NO NOTES 5,6,7 & 8	POS	POL. POS	DIM X	DIM Y	DIM F	DIM W	PLATING	
94278-001	94278-001LF	2X10	8	18	20	4.0	1.2 ±0.13	0.38µm PdNi W Au FLASH OVER Ni	
-002	002LF	2X4	4	6	8	4.0	1.2 ±0.13	0.38µm PdNi W Au FLASH OVER Ni	
-003	003LF	2X7	4	12	14	4.0	1.2 ±0.13	0.38µm PdNi W Au FLASH OVER Ni	
-004	004LF	2X10	8	18	20	4.0	3.0 ±0.4	0.38µm PdNi W Au FLASH OVER Ni	
-005	005LF	2X6	8	10	12	4.0	3.0 ±0.4	0.76µm Au OVER Ni	
-006	006LF	2X3	4	4	6	4.0	3.0 ±0.4	0.38µm PdNi W Au FLASH OVER Ni	
-007	007LF	2X4	4	6	8	4.0	3.0 ±0.4	0.38µm PdNi W Au FLASH OVER Ni	
-008	008LF	2X13	15	24	26	4.0	3.0 ±0.4	0.38µm PdNi W Au FLASH OVER Ni	
-009	009LF	2X6	10	10	12	4.0	1.2 ±0.13	0.38µm PdNi W Au FLASH OVER Ni	
-010	010LF	2X25	-	48	50	3.0	3.0 ±0.25	0.2µm Au OVER Ni	
-011	011LF	2X22	-	42	44	7.0	3.0 ±0.25	0.2µm Au OVER Ni	
-012	012LF	2X20	-	38	40	4.0	1.4 ±0.13	0.38µm PdNi W Au FLASH OVER Ni	
-013	013LF	2X4	-	6	8	8.0	3.0 ±0.25	0.76µm Au OVER Ni	
-014	014LF	2X22	25	42	44	4.0	3.0 ±0.25	0.2µm Au OVER Ni	
-015	015LF	2X10	-	18	20	4.0	4.3 ±0.25	0.38µm PdNi W Au FLASH OVER Ni	
-016	016LF	2X15	-	28	30	8.0	3.0 ±0.25	0.2µm Au OVER Ni	
-017	017LF	2X25	23,50	48	50	4.0	2.5 ±0.25	0.38µm PdNi W Au FLASH OVER Ni	
-018	018LF	2X3	-	4	6	4.0	1.9 ±0.13	0.38µm PdNi W Au FLASH OVER Ni	
-019	019LF	2X23	1,2,45,46	44	46	4.0	1.2 ±0.13	0.2µm Au OVER Ni	
-020	020LF	2X23	1,2,7,8,9,10,14,17, 18,19,20,21,22,26, 29,30,31,32,33,34, 40,45,46	44	46	4.0	1.2 ±0.13	0.2µm Au OVER Ni	
-021	021LF	2X25	-	48	50	2.2	2.2 ±0.13	0.2µm Au OVER Ni (CONTACT) 2.54-5.08µm MATTE TIN (SOLDER TAIL) OVER Ni	
-022	022LF	2X4	-	6	8	9.5	3.0 ±0.25	0.76µm GXT ON CONTACT AREA (DIM F)	
-023	023LF	2X25	-	48	50	9.5	3.0 ±0.25	0.76µm Au OVER Ni	
-024	024LF	2X4	-	6	8	3.0	3.0 ±0.25	0.76µm Au OVER Ni	
-025	025LF	2X13	-	24	26	3.0	3.0 ±0.25	0.76µm Au OVER Ni	
-026	026LF	2X25	-	48	50	2.4	2.2 ±0.13	2.54-5.08µm MATTE TIN (CONTACT & SOLDER TAIL) OVER Ni	



Copyright FCI.

spec ref	-	dr	Andrew Yong	2010/10/21	projection	MM	size	A3	scale	5:1		
tolerance std	ISO 406 ISO 1101	eng	Guo-Min Sun	2014/02/25			ecn no	ELX-N-17048-1				
surface	ISO 1302	chr	-	apppr			Rick Bian	2014/02/26	product family	MINITEK	rel level	Released
	linear	0.X	±-		MINITEK II R/A HEADER	title	dwg no	94278			rev	AA
		0.XX	±0.25				www.fci.com	cat. no.	Product - Customer Drw	sheet 2 of 3		
	angular	0°	±°							PDS: Rev :AA		

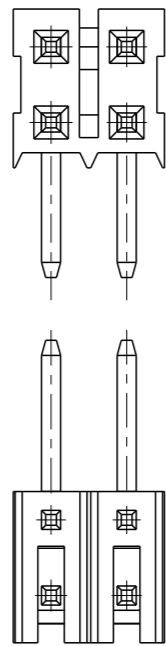
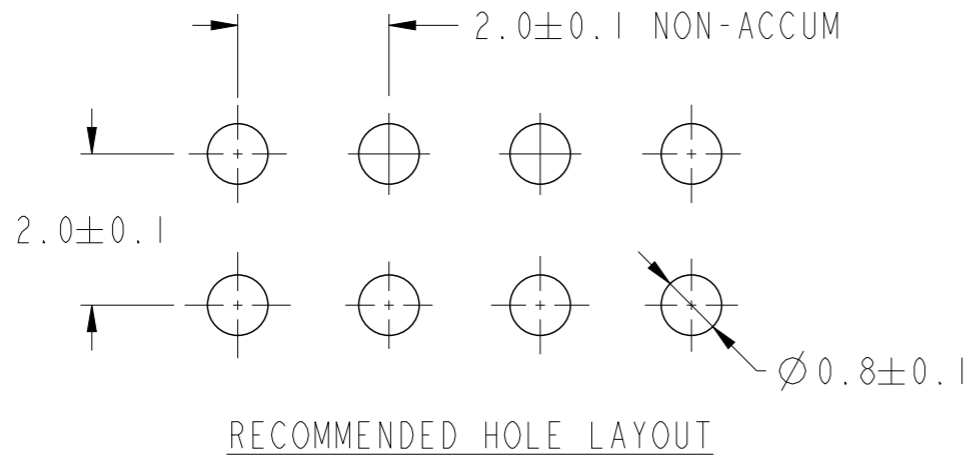


FIG. 1
SEE NOTE 3

NOTES:

1. MATERIAL:
BODY : HIGH TEMPERATURE PLASTIC UL 94V-0 BLACK
PIN : COPPER ALLOY
2. TOLERANCE UNLESS OTHERWISE NOTED ±0.25
3. STAND-OFF DESIGN FOR 2X2 POS. REFERS TO FIG. 1.
4. POLARISED BY OMISSION OF PINS. REFER TO TABLE FOR POSITION.
5. 94278-XXXLF IS SAME TO 94278-XXX. THE 'LF' IS ADDED JUST FOR EASY LEAD FREE IDENTIFICATION
6. THE HOUSING WILL WITHSTAND EXPOSURE TO 255°C PEAK TEMPERATURE FOR 10 SECONDS IN A CONVECTION, INFRA-RED OR VAPOR PHASE REFLOW OVEN.
7. THE HOUSING WILL WITHSTAND EXPOSURE TO 260°C PEAK TEMPERATURE FOR 10 SECONDS IN A WAVE SOLDERING APPLICATION WITH A 1.57MM MINIMUM THICK CIRCUIT BOARD.
8. THIS PRODUCT MEETS EUROPEAN UNION DIRECTIVES AND OTHER COUNTRY REGULATIONS AS DESCRIBED IN GS-22-008.

spec ref	-	dr	Andrew Yong	2010/10/21	projection	MM	size	A3	scale	5:1
tolerance std	ISO 406 ISO 1101	eng	Guo-Min Sun	2014/02/25			ecn no	ELX-N-17048-1		
	TOLERANCES UNLESS OTHERWISE SPECIFIED	chr	-	-				rel level	Released	
surface	✓	appr	Rick Bian	2014/02/26	product family	MINITEK	rel level	Released		
	linear	0.X	±-		MINITEK II		dwg no	94278		rev
		0.XX	±0.25							
		0.XXX	±-							
	angular	0°	±°	www.fci.com	cat. no.	-	Product - Customer Drw		sheet 3 of 3	