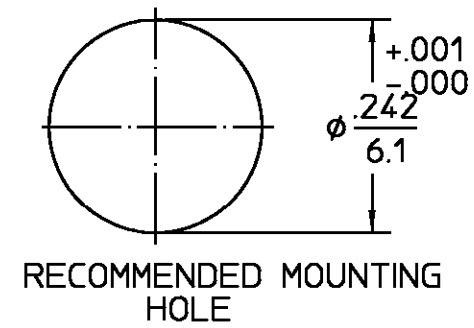


DESIGNED FOR USE WITH .085 S/R	
CABLE ENTRY DIAMETER MINIMUM	
HOUSING	.089
CONTACT	.0215

REVISIONS			
REV	DESCRIPTION	DATE	APPROVED
01 ₂	REVISED	KL 7-24-86 5/25/97	<i>[Signature]</i>
B	PER EC 0U20-0262-01	19DEC01	C. Zhang



ELECTRICAL	MECHANICAL	ENVIRONMENTAL
Nominal Impedance (Ohms) <u>50</u>	Interface Dimensions <u>DESC SPEC 85071</u>	Temperature Rating <u>-65° to +125°C</u>
Frequency Range (GHz) DC to <u>22</u>	Mating Characteristics:	Vibration MIL-STD-202, Method 204, Condition D
Volt Rating (VRMS MAX) @ Sea Level <u>335</u>	Insertion (MAX Lbs) <u>3</u>	Shock MIL-STD-202, Method 213, Condition I
VSWR <u>1.05+.005f(GHz)</u> DC to 18 GHz <u>1.05+.009f(GHz)</u> DC to 22 GHz	Withdrawal (MIN Oz) <u>1</u>	Thermal Shock MIL-STD-202, Method 107, Condition B
Insertion Loss (dB MAX) <u>.03x√f(GHz)</u>	Force to Engage (In-Lbs MAX) <u>3</u> & Disengage (In-Lbs MAX) <u>15</u>	Moisture Resistance MIL-STD-202, Method 106
RF Leakage (dB MIN) (Interface Only, Fully Mated) <u>-(90-f(GHz))</u>	Center Contact Captivation Axial (Lbs) <u>6</u>	Corrosion - MIL-STD-202, Method 101, Condition B
Corona, 70,000 Ft (VRMS MIN) <u>250</u>	Cable Retention Axial Force (Lbs MIN) <u>30</u>	
Dielectric Withstanding Voltage (VRMS MIN) @ Sea Level <u>1000</u>	Torque (In-Oz MIN) <u>16</u>	
Contact Resistance (Milliohms MAX)	Weight (Grams)	
Center Contact <u>2.0</u>		
Outer Contact <u>2.0</u>		
Cable to Housing <u>0.5</u>		
RF High Potential @ Sea Level (VRMS MIN @ 5 MHz) <u>670</u>		
IR.(Megohms MIN) <u>5000</u>		

COMPONENT	MATERIAL	FINISH
HOUSING MOUNTING NUT LOCKWASHER	STAINLESS STEEL PER ASTM-A484 AND ASTM- A582, TYPE 303	GOLD PLATE PER MIL-G-45204
DIELECTRIC	TFE FLUOROCARBON PER ASTM-D-1457	N/A
CENTER CONTACT	BERYLLIUM COPPER PER ASTM-B-196 OR ASTM-B-197, ALLOY C17300, CONDITION H	GOLD PLATE PER MIL-G-45204
O-RING	FLOUROSILICONE PER MIL-R- 25988, CLASS 1, TYPE 1	N/A

UNLESS OTHERWISE SPECIFIED DIMENSIONS ARE IN INCHES		DRAWN BY M YUEN		DATE 1-8-88	 AMP Incorporated 140 Fourth Avenue Waltham, MA 02451-7599
FRAC. ± 1/64	DEC. ±.005	ANGLES ± 1°	CHECKED BY MH/M	1-12-88	
			APPD BY BAR	1-12-88	
These drawings and speci- fications are the property of M/A COM Interconnect Div. and shall not be reproduced or copied or used in whole or in part as the basis for the manufacture or sale o f item(s) without written permission.		USE ASSY PROCEDURE		TITLE OSP BULKHEAD FEEDTHRU CABLE PLUG DIRECT SOLDER ATTACHMENT	
NO. A.P. <u>45-164</u>		408-08291		SIZE B	CODE IDENT NO. 26805
				SCALE 5:1	4503-5023-00
				REV 01 ₂	
				SHEET 1 OF 1	

COPY IN PUERTO RICO

CUSTOMER DRAWING

AMP PART # 1059386-1
SHEET 1 OF 1 REV B