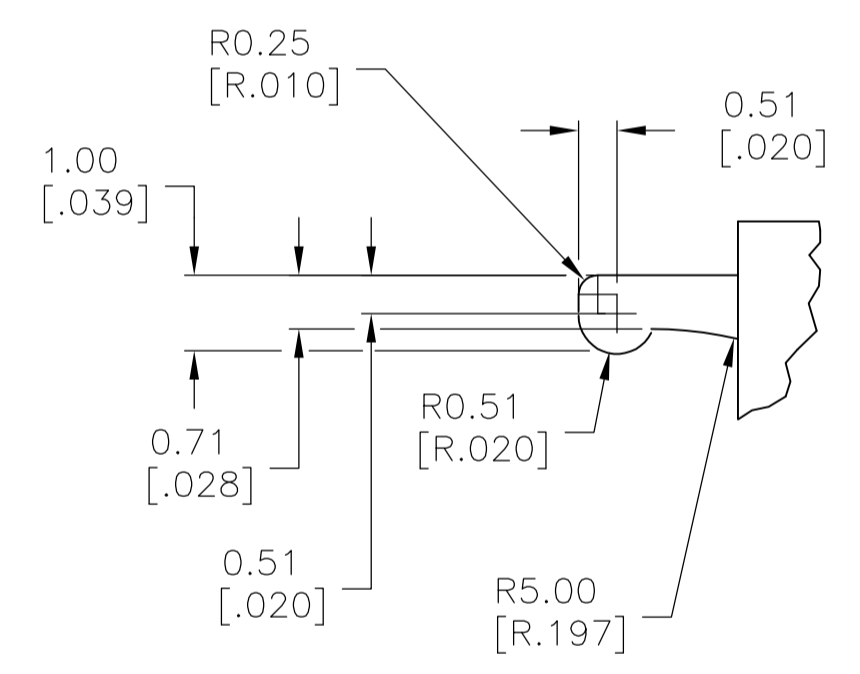
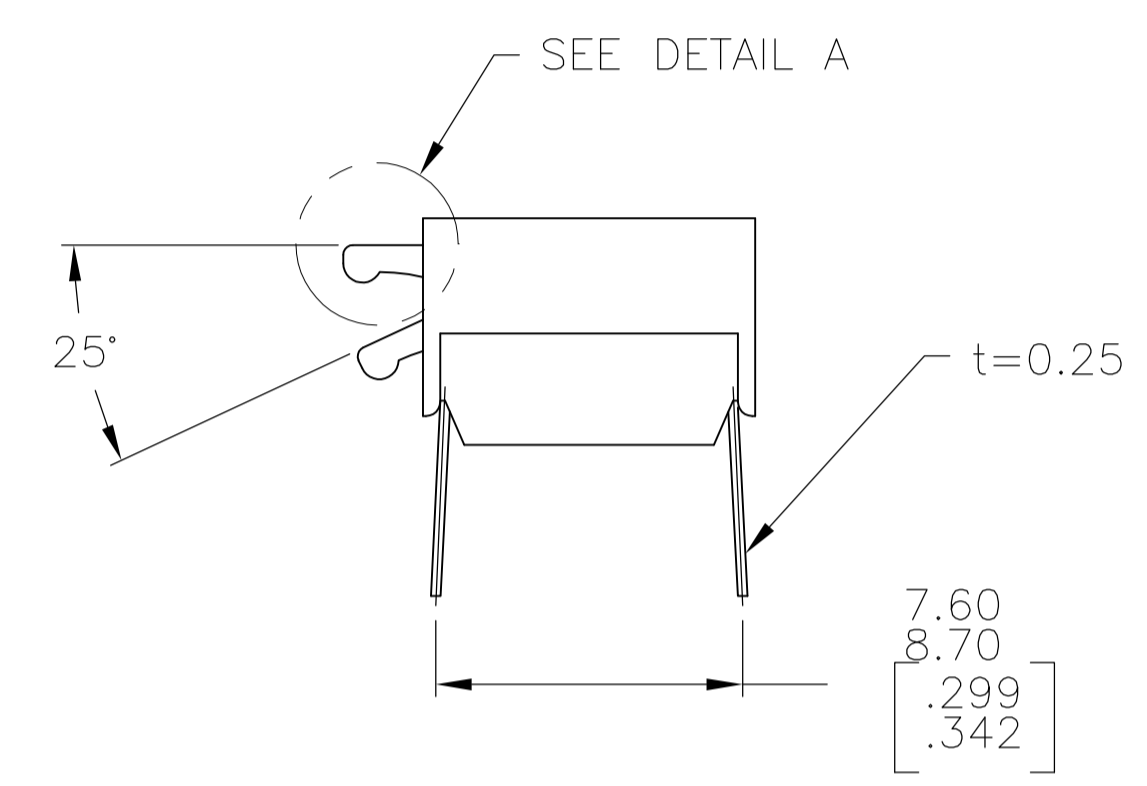
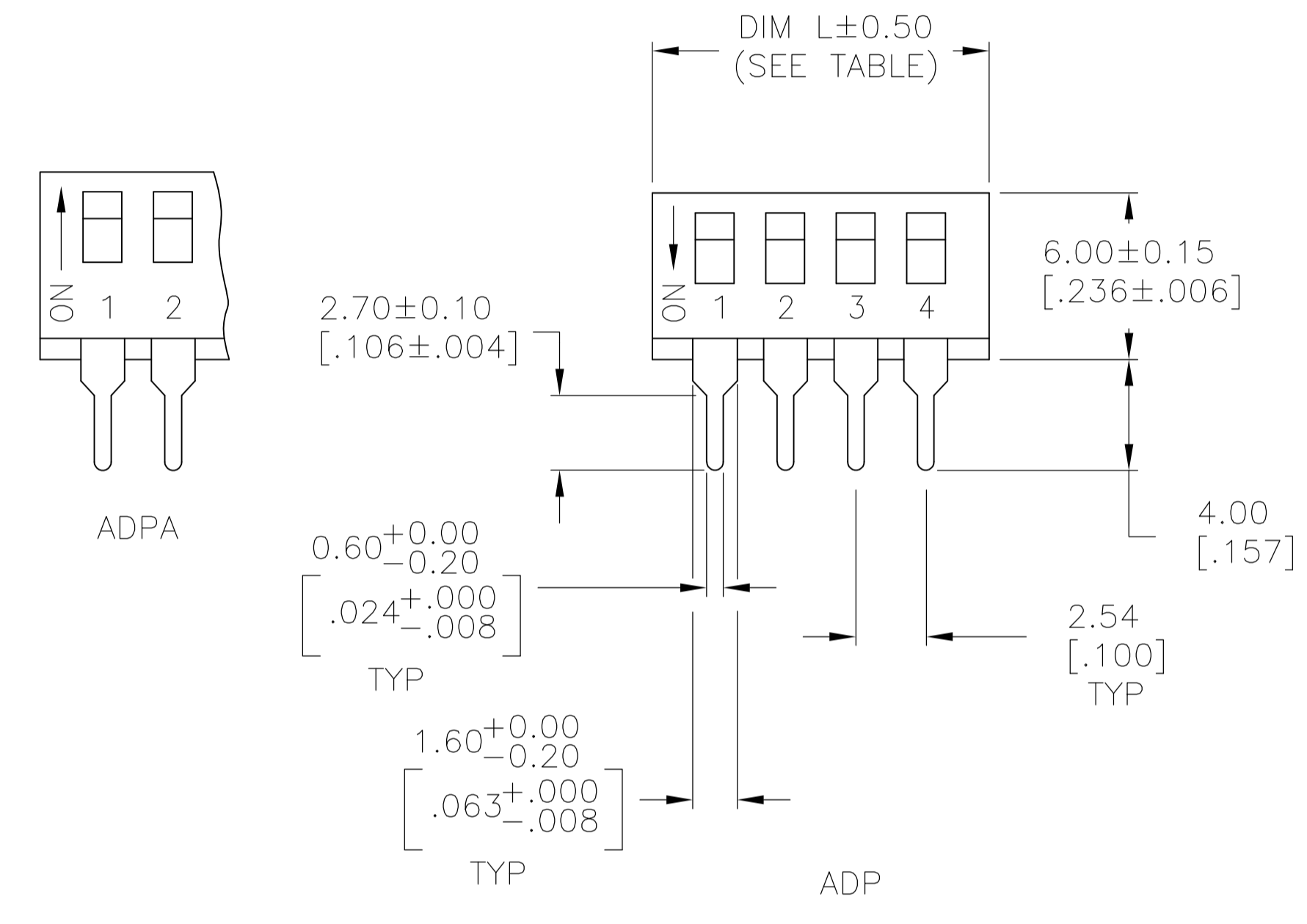




RECOMMENDED HOLE LAYOUT



DETAIL A SCALE: 10:1

SPECIFICATIONS:

**MATERIAL:**  
CASE: PPS 94V-0, BLACK  
COVER: PPS 94V-0, BLACK  
ACTUATOR: NYLON PA6T 94V-0, WHITE  
MOVING CONTACT: COPPER ALLOY, GOLD OVER NICKEL PLATE.  
FIXED CONTACT/TERMINAL: COPPER ALLOY, GOLD OVER NICKEL PLATE.

**ELECTRICAL:**  
CONTACT RATING: MAX RATING (SWITCHING) 100 MILLIAMPS @ 24V DC, MIN (SWITCHING) 0.10 MICROAMPS @1 MILLIVOLT, MAX (NON-SWITCHING) 1 AMP @ 5V DC INITIAL  
CONTACT RESISTANCE: 50 MILLIOHMS MAX.  
INSULATION RESISTANCE: 100 MEGOHMS MIN. @ 100 VDC.  
DIELECTRIC STRENGTH: 500 VAC. LIFE EXPECTANCY: 1000 CYCLES MIN.

**MECHANICAL:**  
ACTUATION FORCE: 800g MAX.

- CONTACT PRESSURE: 280,000 PSI.
  - CLEANING: AQUEOUS SOLUTION OR SOLVENT.
  - PACKAGING OPTIONS- CLEAR TUBES OR TAPE AND REEL PER EIA-481 SWITCH SUPPLIED IN THE "OFF" POSITION UNLESS "ON" IS SPECIFIED IN THE ALCO PART NUMBER (SEE PART NUMBER TABLE FOR ALL OPTIONS)
  - TOP & FRONT SURFACES TO BE CLEARLY MARKED AS SHOWN.
  - SWITCHES TO BE BLACK WITH WHITE ACTUATORS AND MARKINGS.
  - ALL MATERIAL AND FINISHES SHALL COMPLY WITH EU DIRECTIVE 2002/95/EC OF 27JAN2003 (ROHS)
- △ OBSOLETE PARTS: OBSOLETE CIS STREAMLINING PER D.RENAUD/D.SINISI

SEE SHEET 2 FOR SURFACE MOUNT OPTIONS AND DIMENSIONS.

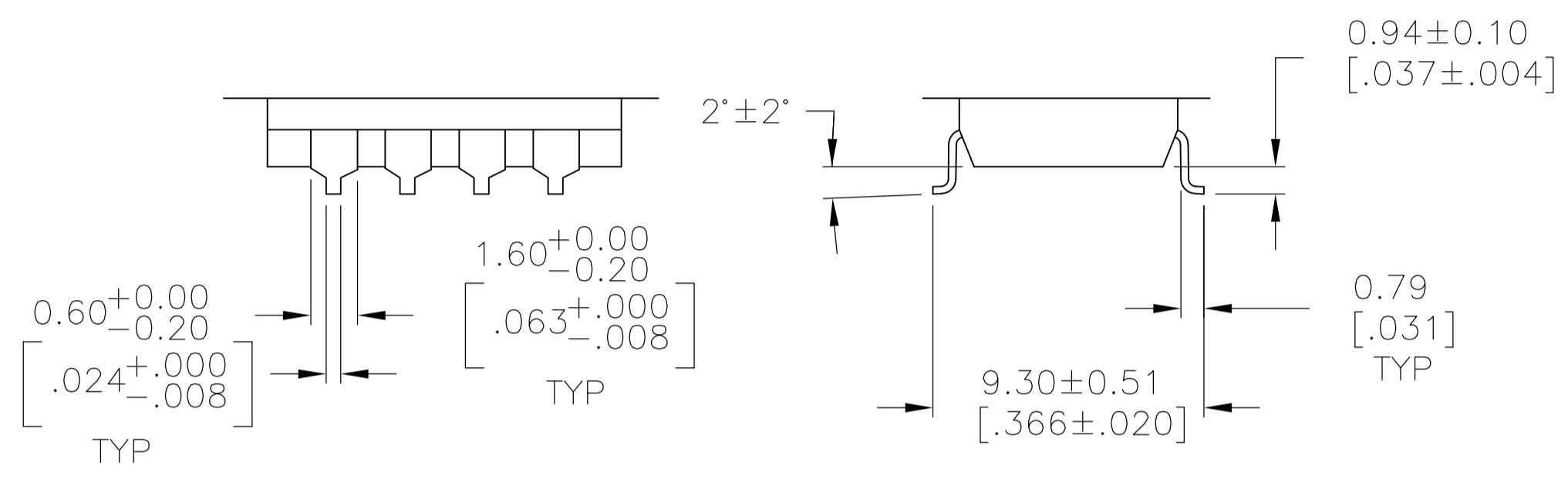
DESCRIPTION	QTY	LEAD	DATE	P/N	REV
TUBE	10	27.38 [1.078]		ADPA10SA04	6-1571999-4
TUBE	10	27.38 [1.078]		ADPA10S04	6-1571999-3
TUBE	10	27.38 [1.078]		ADPA1004	6-1571999-2
TUBE	9	24.84 [.978]		ADPA09SA04	6-1571999-1
TUBE	9	24.84 [.978]		ADPA09S04	6-1571999-0
TUBE	9	24.84 [.978]		ADPA0904	5-1571999-9
TUBE	8	22.30 [.878]		ADPA08SA04	5-1571999-8
TUBE	8	22.30 [.878]		ADPA08S04	5-1571999-7
TUBE	8	22.30 [.878]		ADPA0804	5-1571999-6
TUBE	7	19.76 [.778]		ADPA07SA04	5-1571999-5
TUBE	7	19.76 [.778]		ADPA07S04	5-1571999-4
TUBE	7	19.76 [.778]		ADPA0704	5-1571999-3
TUBE	6	17.22 [.678]		ADPA06SA04	5-1571999-2
TUBE	6	17.22 [.678]		ADPA06S04	5-1571999-1
TUBE	6	17.22 [.678]		ADPA0604	5-1571999-0
TUBE	5	14.68 [.578]		ADPA05SA04	4-1571999-9
TUBE	5	14.68 [.578]		ADPA05S04	4-1571999-8
TUBE	5	14.68 [.578]		ADPA0504	4-1571999-7
TUBE	4	12.14 [.478]		ADPA04SA04	4-1571999-6
TUBE	4	12.14 [.478]		ADPA04S04	4-1571999-5
TUBE	4	12.14 [.478]		ADPA0404	4-1571999-4
TUBE	2	7.06 [.278]		ADPA02SA04	4-1571999-3
TUBE	2	7.06 [.278]		ADPA02S04	4-1571999-2
TUBE	2	7.06 [.278]		ADPA0204	4-1571999-1
OBSOLETE	TAPE & REEL SWITCH ON	10	27.38 [1.078]	ADP10STRON04	4-1571999-0
△ OBSOLETE	TAPE & REEL	10	27.38 [1.078]	ADP10STR04	3-1571999-9
△ OBSOLETE	TUBE	10	27.38 [1.078]	ADP10SA04	3-1571999-8
△ OBSOLETE	TUBE	10	27.38 [1.078]	ADP10S04	3-1571999-7
△ OBSOLETE	TUBE	10	27.38 [1.078]	ADP1004	3-1571999-6
OBSOLETE	TAPE & REEL SWITCH ON	9	24.84 [.978]	ADP09STRON04	3-1571999-5
△ OBSOLETE	TAPE & REEL	9	24.84 [.978]	ADP09STR04	3-1571999-4
△ OBSOLETE	TUBE	9	24.84 [.978]	ADP09SA04	3-1571999-3
△ OBSOLETE	TUBE	9	24.84 [.978]	ADP09S04	3-1571999-2
△ OBSOLETE	TUBE	9	24.84 [.978]	ADP0904	3-1571999-1
OBSOLETE	TAPE & REEL SWITCH ON	8	22.30 [.878]	ADP08STRON04	3-1571999-0
△ OBSOLETE	TAPE & REEL	8	22.30 [.878]	ADP08STR04	2-1571999-9
△ OBSOLETE	TUBE	8	22.30 [.878]	ADP08SA04	2-1571999-8
△ OBSOLETE	TUBE	8	22.30 [.878]	ADP08S04	2-1571999-7
△ OBSOLETE	TUBE	8	22.30 [.878]	ADP0804	2-1571999-6
OBSOLETE	TAPE & REEL SWITCH ON	7	19.76 [.778]	ADP07STRON04	2-1571999-5
△ OBSOLETE	TAPE & REEL	7	19.76 [.778]	ADP07STR04	2-1571999-4
△ OBSOLETE	TUBE	7	19.76 [.778]	ADP07SA04	2-1571999-3
△ OBSOLETE	TUBE	7	19.76 [.778]	ADP07S04	2-1571999-2
△ OBSOLETE	TUBE	7	19.76 [.778]	ADP0704	2-1571999-1
OBSOLETE	TAPE & REEL SWITCH ON	6	17.22 [.678]	ADP06STRON04	2-1571999-0
△ OBSOLETE	TAPE & REEL	6	17.22 [.678]	ADP06STR04	1-1571999-9
△ OBSOLETE	TUBE	6	17.22 [.678]	ADP06SA04	1-1571999-8
△ OBSOLETE	TUBE	6	17.22 [.678]	ADP06S04	1-1571999-7
△ OBSOLETE	TUBE	6	17.22 [.678]	ADP0604	1-1571999-6
OBSOLETE	TAPE & REEL SWITCH ON	5	14.68 [.578]	ADP05STRON04	1-1571999-5
△ OBSOLETE	TAPE & REEL	5	14.68 [.578]	ADP05STR04	1-1571999-4
△ OBSOLETE	TUBE	5	14.68 [.578]	ADP05SA04	1-1571999-3
△ OBSOLETE	TUBE	5	14.68 [.578]	ADP05S04	1-1571999-2
△ OBSOLETE	TUBE	5	14.68 [.578]	ADP0504	1-1571999-1
OBSOLETE	TAPE & REEL SWITCH ON	4	12.14 [.478]	ADP04STRON04	1-1571999-0
△ OBSOLETE	TAPE & REEL	4	12.14 [.478]	ADP04STR04	1571999-9
△ OBSOLETE	TUBE	4	12.14 [.478]	ADP04SA04	1571999-8
△ OBSOLETE	TUBE	4	12.14 [.478]	ADP04S04	1571999-7
△ OBSOLETE	TUBE	4	12.14 [.478]	ADP0404	1571999-6
OBSOLETE	TAPE & REEL SWITCH ON	2	7.00 [.276]	ADP02STRON04	1571999-5
△ OBSOLETE	TAPE & REEL	2	7.00 ± 0.50 [.276 ± .020]	ADP02STR04	1571999-4
△ OBSOLETE	TUBE	2	7.00 ± 0.50 [.276 ± .020]	ADP02SA04	1571999-3
△ OBSOLETE	TUBE	2	7.00 ± 0.50 [.276 ± .020]	ADP02S04	1571999-2
△ OBSOLETE	TUBE	2	7.00 ± 0.50 [.276 ± .020]	ADP0204	1571999-1
PACKAGING	Pole	Dim L	Old T&B P/N	P/N	

**ENVIRONMENTAL:**  
OPERATING TEMPERATURE: -22°F TO +185°F (-30°C TO +85°C).  
STORAGE TEMPERATURE: -49°F TO +212°F (-45°C TO +100°C).  
SOLDER HEAT RESISTANCE TO 265±3°C FOR 8±2 SECONDS.  
SOLDERABILITY PER JIS C 0050 & JIS C 0053

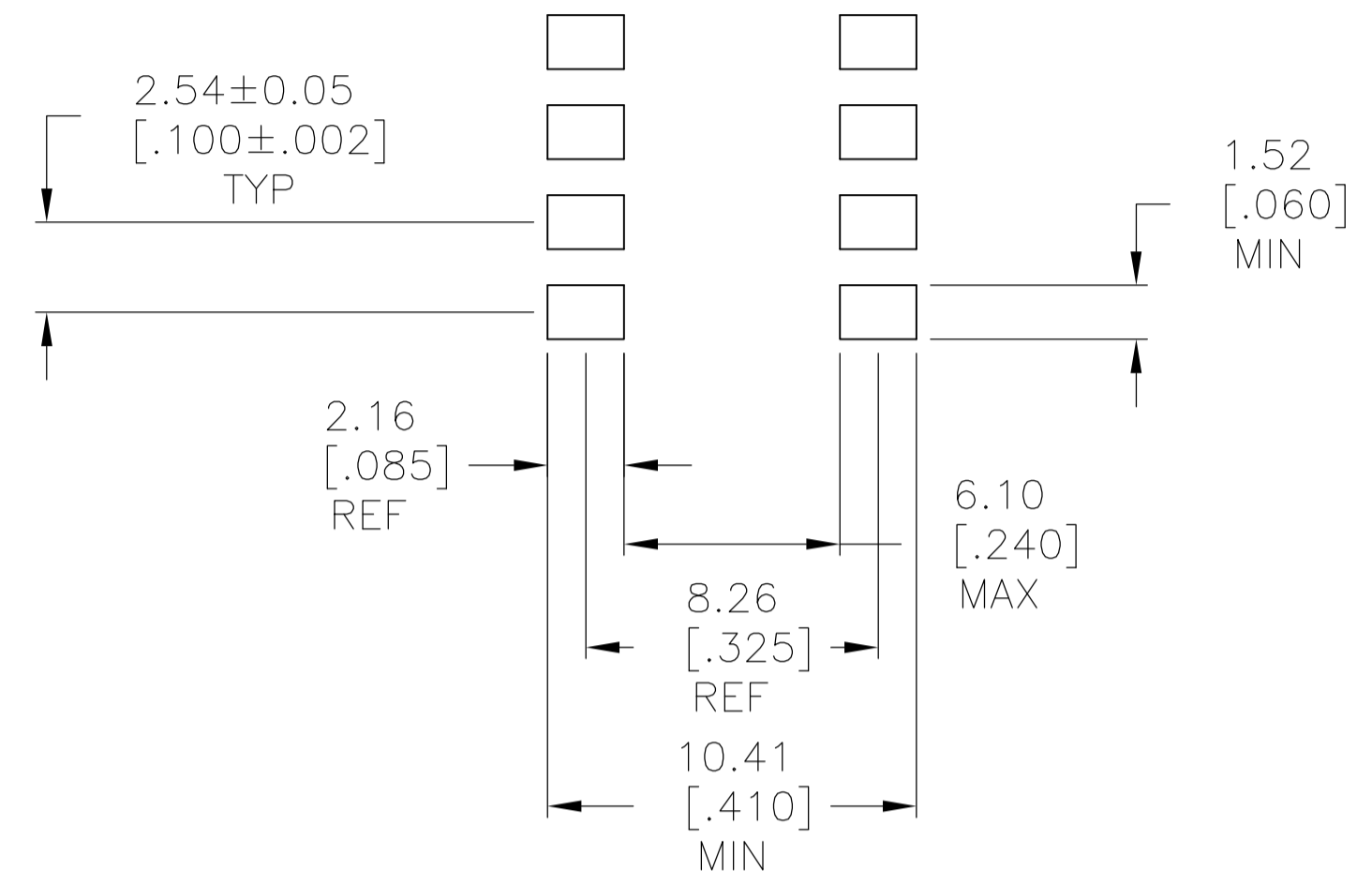
THIS DRAWING IS A CONTROLLED DOCUMENT.

DIMENSIONS: mm [INCHES]	TOLERANCES UNLESS OTHERWISE SPECIFIED:	DIN M BINNER 14FEB05	APVD M SARVER 15FEB05	NAME
0 PLC ± -	1 PLC ± -	2 PLC ± -	3 PLC ± 0.12(0.31)	4 PLC ± -
ANGLES ± 1'				
MATERIAL	FINISH	WEIGHT	SIZE	CAGE CODE
			A1	00779
			1571999	
CUSTOMER DRAWING	SCALE 1:1	SHEET 1 OF 2	REV D4	

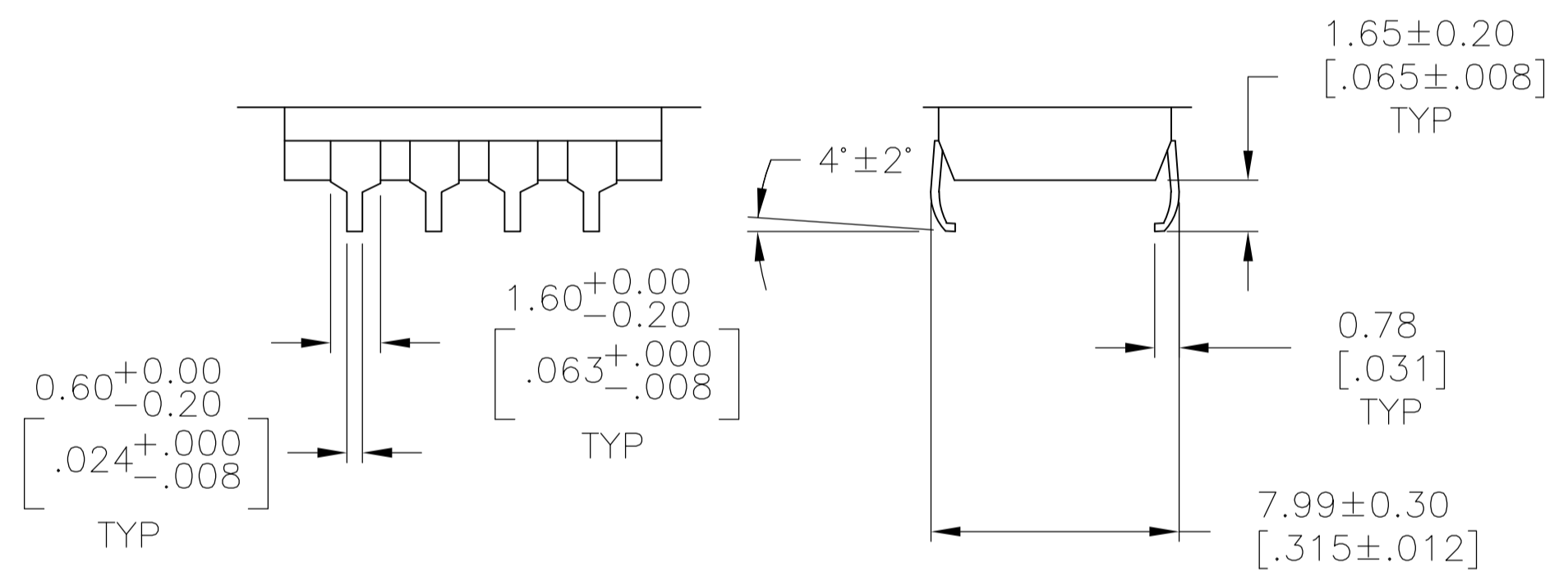
STE TE Connectivity  
DIP SWITCH ASSEMBLY  
ADP/PA SERIES



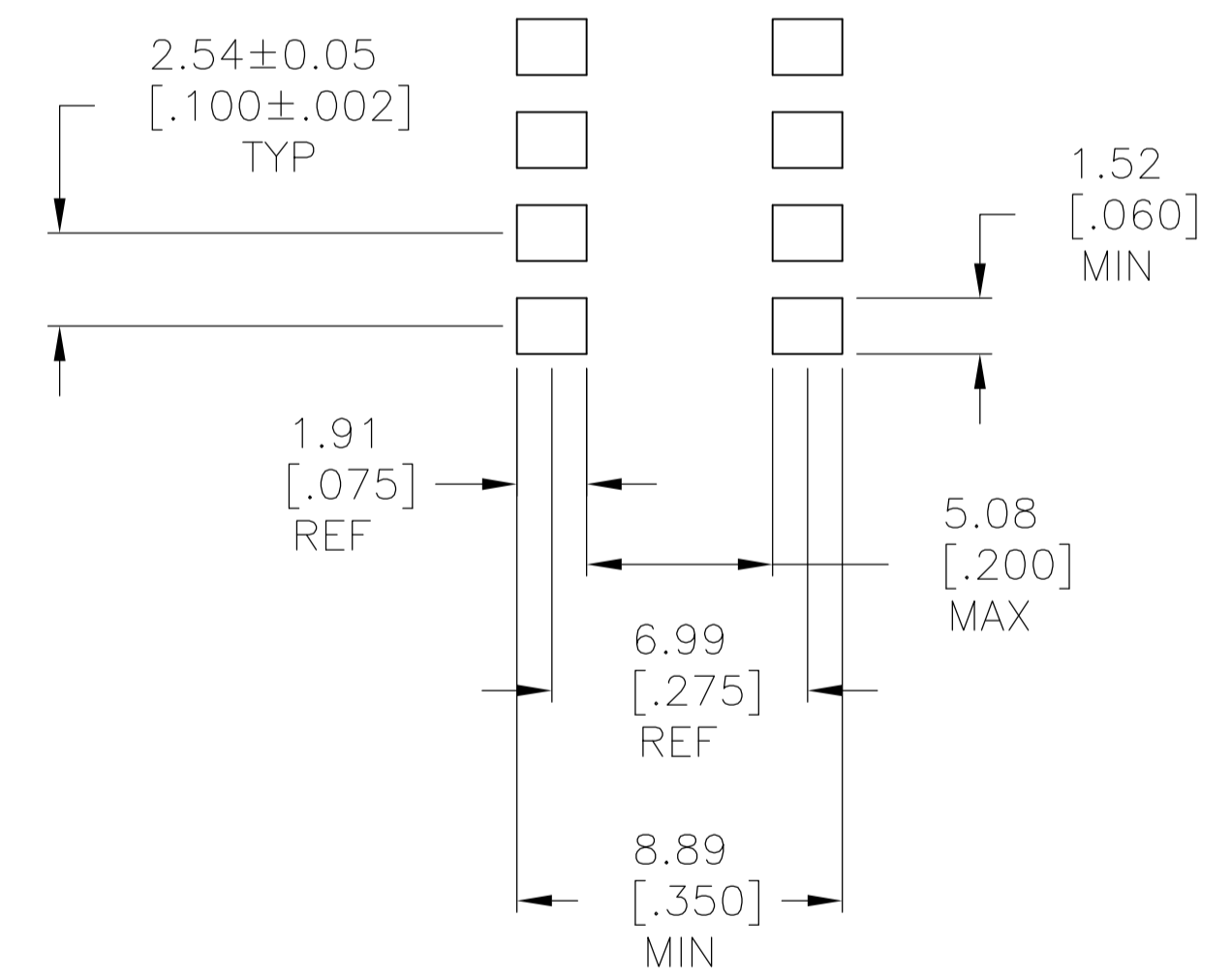
SURFACE MOUNT  
"S" TERMINATION



RECOMMENDED PAD LAYOUT  
SURFACE MOUNT  
"S" TERMINATION



SURFACE MOUNT  
"SA" TERMINATION



RECOMMENDED PAD LAYOUT  
SURFACE MOUNT  
"SA" TERMINATION

THIS DRAWING IS A CONTROLLED DOCUMENT.		DIN	M. BINNER	14FEB05	 TE Connectivity
DIMENSIONS: mm [INCHES]		CHK	M. SARVER	15FEB05	
TOLERANCES UNLESS OTHERWISE SPECIFIED:		APVD		M. SARVER	15FEB05
0. PLC ± -		NAME		DIP SWITCH ASSEMBLY	
1. PLC ± -		PRODUCT SPEC		ADP/PA SERIES	
2. PLC ± -		APPLICATION SPEC		SIZE	
3. PLC ± .012(0.31)		WEIGHT		CAGE CODE	
4. PLC ± ± 1°		CUSTOMER DRAWING		DRAWING NO.	
MATERIAL		FINISH		RESTRICTED TO	
		SCALE		SHEET	
		1:1		2 OF 2	
		REV		D4	