

NOTES:

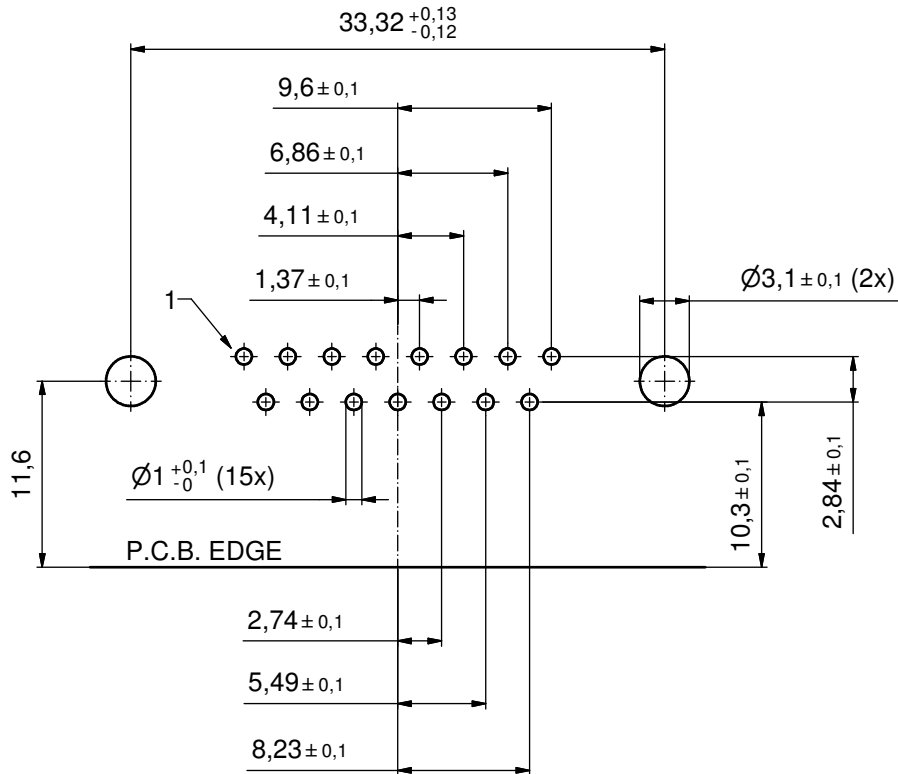
1. FOR WAVESOLDERING (SOLDER BATH TEMPERATURE 260°C FOR 5 SEC. AND SOLDER PREHEAT 100°C FOR 30 SEC.)
2. METALSHELLS: STEEL; min. 315µin TIN over 40-80µin NICKEL
3. INSULATOR: HIGH TEMPERATURE PLASTIC UL 94 V-0, BLACK
4. CONTACTS: COPPER ALLOY; PLATING (SEE PART NO.):
 - PLEASE ADD A for GOLD FLASH over NICKEL (PREFERRED TYPE)
 - PLEASE ADD B for 20µin HARD GOLD over min. 50µin NICKEL
 - PLEASE ADD C for 30µin HARD GOLD over min. 50µin NICKEL
 CONTACT TAILS PRETINNED
5. MOUNTING BRACKET: HIGH TEMPERATURE PLASTIC UL 94 V-0; BLACK
6. THREADED INSERTS: COPPER ALLOY; min. 200µin TIN over 80µin NICKEL
7. GROUNDING-CLIPS: COPPER ALLOY; PCB-HOLE: $\varnothing 3.1 \pm 0,1$; PCB THICKNESS 1.6mm
8. DIELECTRIC WITHSTANDING VOLTAGE: 424 VDC
9. CAPACITANCE: 830pF ± 20%
10. P.C.B. HOLE DRILLINGS ON SHEET 2
11. MAXIMUM TORQUE VALUE FOR THREAD: 6 in.LB
12. CONNECTOR IS PART MARKED: 241□12890X CONEC ABC (see note 4)



RoHS compliant

THIS DRAWING MAY NOT BE COPIED OR REPRODUCED IN ANY WAY, AND MAY NOT BE PASSED ON TO A THIRD PARTY WITHOUT WRITTEN PERMISSION. OWNERSHIP AND COPYRIGHT OF CONEC GmbH DO NOT ALTER CAD DRAWING BY HAND	tolerance		dim. in mm	scale: 2:1 (5:1)	
				material: SEE NOTES	
	date	name	title: D-SUB C-FILTER MALE 90° 15pos. 0.370inch with threaded insert, mounting bracket, grounding clip		
	drawn 15.04.15	Henneboel			
	appd. 15.04.15	Lehmenkühler			
norm		dwg no:		DIN-A3	
d-old		part no: 24K1A1583		sh: 1/2	
rev. a	Original			part no: 241□12890X (see note 4)	
description	date	name			

P.C.B. HOLE DRILLINGS

(P.C.B. TOP SIDE)



THIS DRAWING MAY NOT BE COPIED OR REPRODUCED IN ANY WAY, AND MAY NOT BE PASSED ON TO A THIRD PARTY WITHOUT WRITTEN PERMISSION. OWNERSHIP AND COPYRIGHT OF CONEC GmbH DO NOT ALTER CAD DRAWING BY HAND					tolerance		scale: 3:1
					dim. in mm		material: SEE SHEET 1
	drawn	15.04.15	Henneboel		title:		
	appd.	15.04.15	Lehmenkühler		P.C.B. HOLE DRILLINGS		
	norm				D-SUB C-FILTER MALE 90° 15pos., 0.370inch with threaded insert, mounting bracket, grounding clip		
	d-old				dwg no:		
	a	Original			24K1A1583		
rev.	description	date	name			DIN-A3	
						part no:	SEE SHEET 1
							sh: 2/2