

4

3

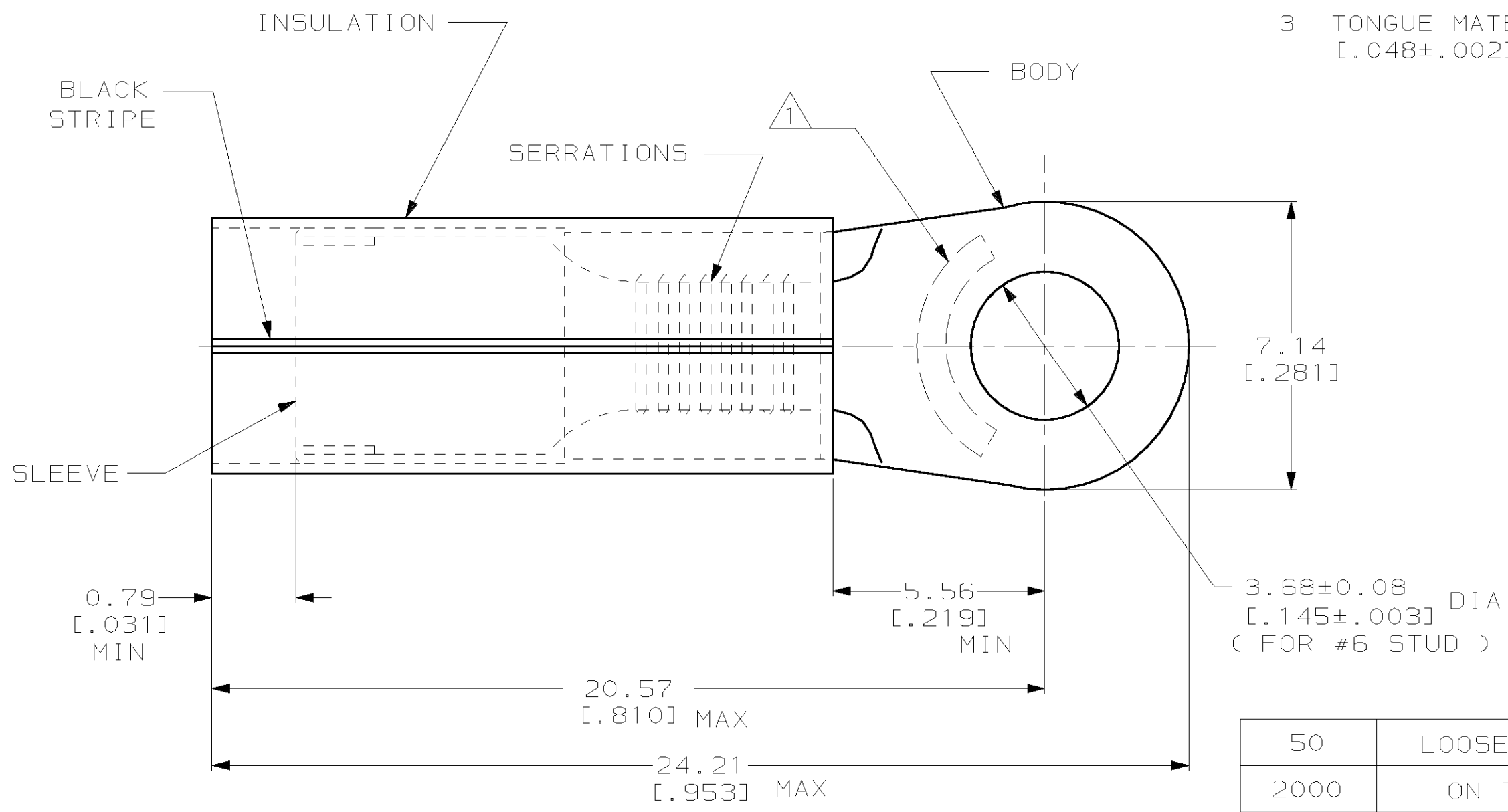
2

1

THIS DRAWING IS UNPUBLISHED. RELEASED FOR PUBLICATION, 19 .
 © COPYRIGHT 19 BY AMP INCORPORATED. ALL RIGHTS RESERVED.

LOC	DIST	REVISIONS					
		P	LTR	DESCRIPTION	DATE	DWN	APVD
G	14		J	REV PER 063A-0197-99	21OCT99	JR	TM

- 1 STAMP AMP 16-14 HD*
LOCATED APPROX AS SHOWN
- 2 FOR 3.81 - 6.35 [.150-.250] WIRE
INSULATION DIA.
- 3 TONGUE MATERIAL THK = 1.22±0.05
[.048±.002]



QTY	DESCRIPTION	PART NO.
50	LOOSE PIECE, BOX	8-35634-2
2000	ON TAPE, REEL	2-35634-1
500	LOOSE PIECE	35634

THIS DRAWING IS A CONTROLLED DOCUMENT.		DWN JR RUTH 20AUG99	AMP AMP Incorporated Harrisburg, PA 17105-3608
DIMENSIONS: MM [INCHES]		CHK T MICHIELUTTI 20AUG99	
TOLERANCES UNLESS OTHERWISE SPECIFIED: 0 PLC ±- 1 PLC ±- 2 PLC ±0.20 [.008] 3 PLC ±- 4 PLC ±5° ANGLES ±-		APVD T MICHIELUTTI 20AUG99	NAME TERMINAL, RING TONGUE, PIDG, WIRE SIZE: 16-14 HD
MATERIAL BODY - COPPER (ASTM B152) SLEEVE - COPPER (ASTM B152) INSULATION - NYLON, YELLOW		PRODUCT SPEC -	SIZE A3
FINISH BODY - TIN PLATE (ASTM B545)		APPLICATION SPEC -	CAGE CODE 00779
		WEIGHT -	DRAWING NO C- 35634
		RESTRICTED TO -	
		CUSTOMER DRAWING	
		SCALE 8:1	SHEET 1 OF 1
		REV J	