

THIS DRAWING IS UNPUBLISHED. RELEASED FOR PUBLICATION
 © COPYRIGHT - By - ALL RIGHTS RESERVED.

REVISONS		DATE	DWN	APVD
P	LTR	DESCRIPTION		
	B1	REVISED PER ECO-11-004587	11MAR11	RK HMR

SPECIFICATIONS:

MATERIALS:

CASE: THERMOPLASTIC
 ACTUATOR BUTTON: THERMOPLASTIC,
 BUSHING: COPPER ALLOY, NICKEL PLATE.
 NUT: COPPER ALLOY, NICKEL PLATE.
 WASHER: STEEL, NICKEL PLATE.
 SPRING: STAINLESS STEEL.
 MOVING CONTACT: COPPER ALLOY, SILVER OVER NICKEL PLATE.
 FIXED CONTACT/TERMINALS: COPPER ALLOY, SILVER PLATE.

ELECTRICAL:

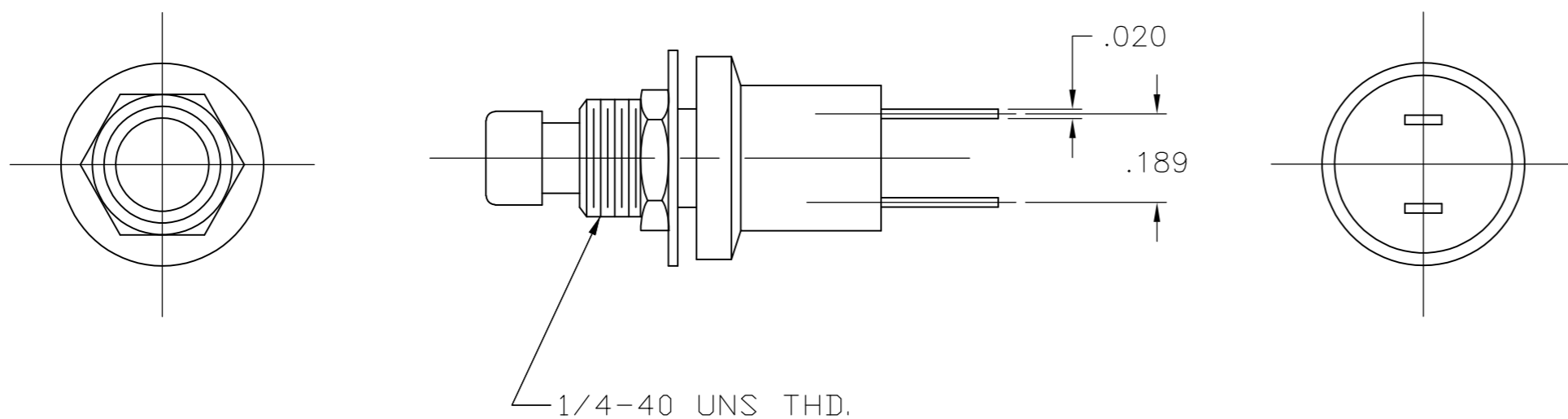
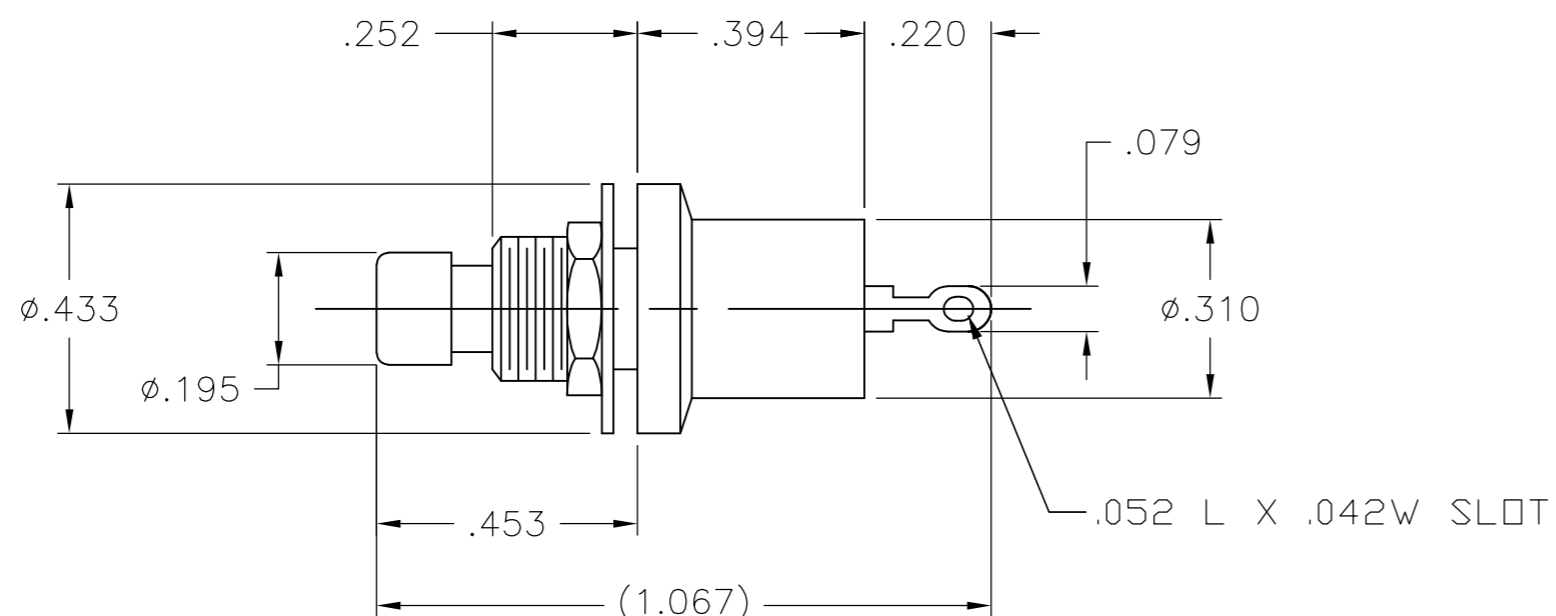
CONTACT RATING: 0.5 AMPS AT 125 VAC (BUTT CONTACT).
 INITIAL CONTACT RESISTANCE: 100 MILLIOHMS.
 INSULATION RESISTANCE: 1,000 MEGOHMS MIN.
 DIELECTRIC STRENGTH: 1000V RMS AT SEA LEVEL.
 LIFE EXPECTANCY: 10,000 CYCLES.

ENVIRONMENTAL:

OPERATING TEMPERATURE: -4°F TO +176°F(-20°C TO +80°C).
 STORAGE TEMPERATURE: -4°F TO +176°F(-20°C TO +80°C).

NOTES:

- INTERPRET DRAWING PER ASME Y14.5M-1994.
- SUPPLIED WITH MOUNTING HARDWARE:
(1) LOCKWASHER (1) HEX NUT
- PACKAGING: BLISTER PACK-25 SWITCHES IN EACH BLISTER WITH HARDWARE PACKED SEPARATELY.
- RECOMMENDED HAND SOLDER TEMP. 420C FOR 5 SECONDS.



SPST	N.O.	BLACK	BLACK	MSPS103C0	1437568-7
SPST	N.C.	BROWN	BLACK	MSPS103B	1437568-5
SPST	N.O.	BLACK	RED	MSPS103C2	1437568-6
TYPE	MOMENTARY ACTION	CASE COLOR	ACTUATOR BUTTON COLOR	MODEL NO.	PART NO.

THIS DRAWING IS A CONTROLLED DOCUMENT.		DWN	16JAN2008	TE Connectivity	
DIMENSIONS: INCHES		CHK	1/16/08	NAME	
TOLERANCES UNLESS OTHERWISE SPECIFIED:		APVD	1/16/08	SWITCH PUSH BUTTON (MSPS103XX)	
0 PLC ± -		PRODUCT SPEC		SIZE	
1 PLC ± -		APPLICATION SPEC		CAGE CODE	
2 PLC ± -		WEIGHT		DRAWING NO	
3 PLC ± .010		MATERIAL		RESTRICTED TO	
4 PLC ± -		FINISH		SCALE	
ANGLES ± 1°		CUSTOMER DRAWING		SHEET	
				1 OF 1	
				REV B1	