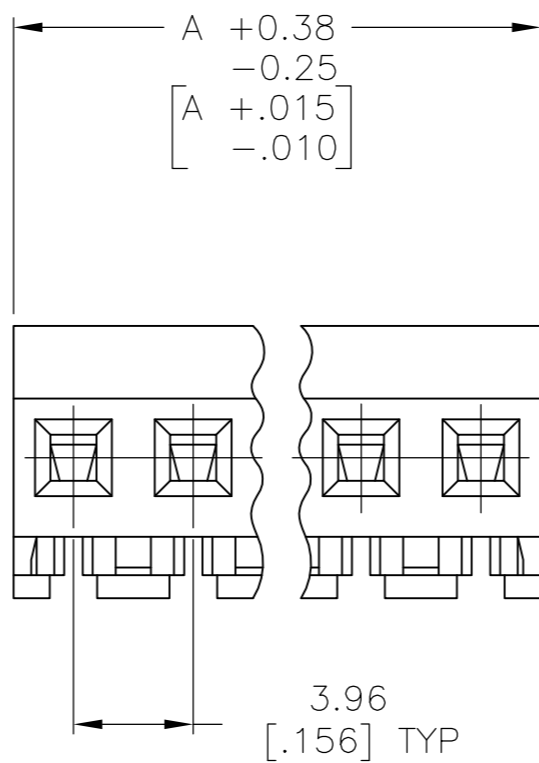
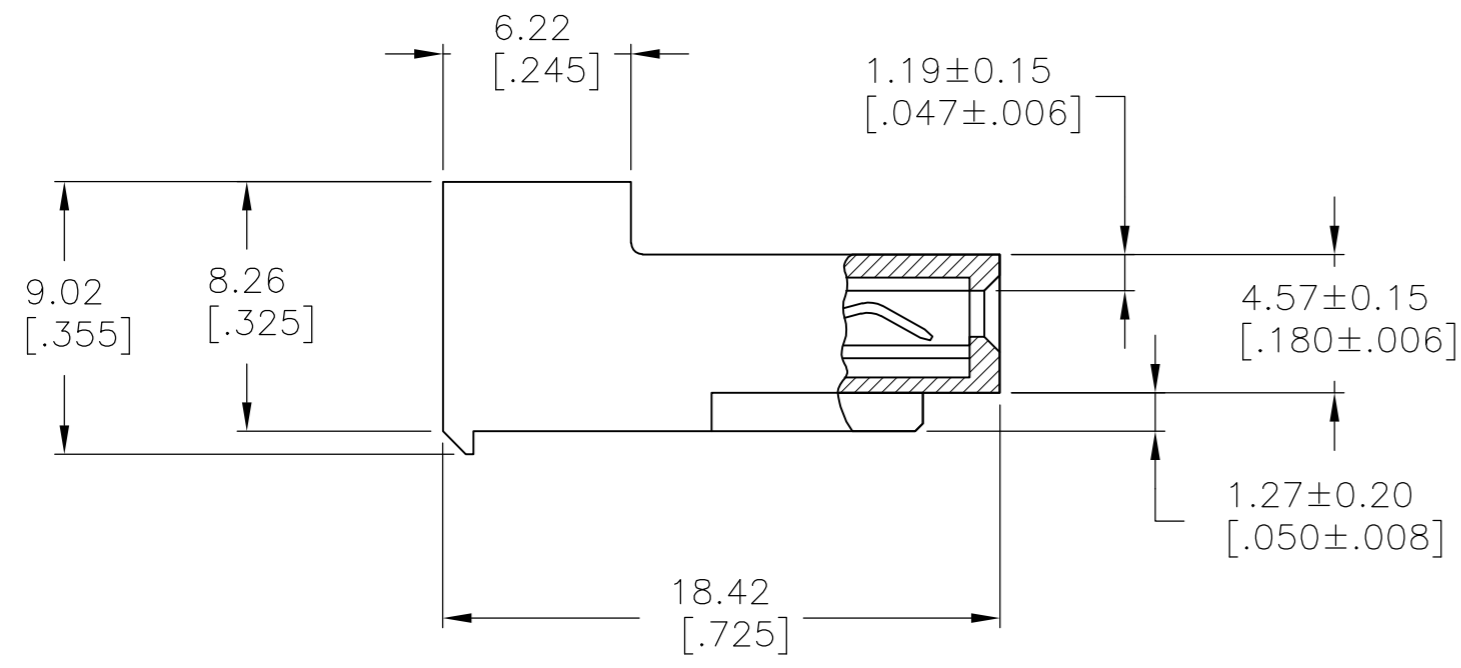
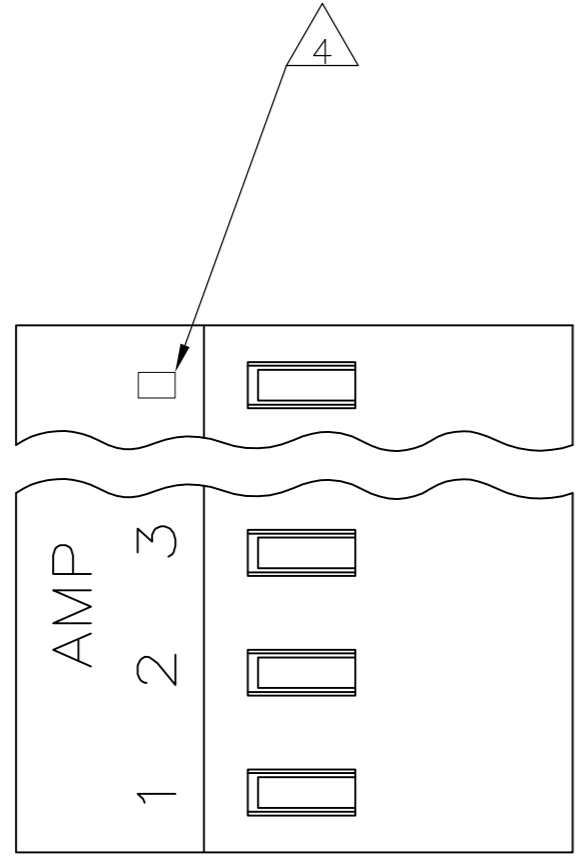


THIS DRAWING IS UNPUBLISHED. RELEASED FOR PUBLICATION
 © COPYRIGHT - By - ALL RIGHTS RESERVED.

LOC		DIST		REVISIONS			
P	LTR	DESCRIPTION		DATE	DWN	APVD	
CM	54	D2	REVISED PER ECO-11-014117		13JUL11	HMR	SM



- 1 MATERIAL: CONNECTOR - NYLON UL94V-0 (BLACK).
 CONTACTS - 0.30[.012] THICK COPPER ALLOY (BRIGHT-TIN LEAD 0.00203 [.000080] MIN THK FOR CONTACTS 644502-2 THRU 1-644502-2, MATTE WHISKER MITIGATED TIN 0.00203 [.000080] MIN THICKNESS FOR CONTACTS 3-644502-2 THRU 4-644502-2)
- 2. CONTACTS ACCEPT 18 AWG WIRE WITH 2.41[.095] MAX INSULATION DIAMETER.
- 3. CONTACTS MUST ACCEPT 1.14±0.03[.045±.001] SQUARE POST AND REMAIN LOCKED IN POSITION.
- 4 IDENTIFICATION NUMBER FOR LAST CIRCUIT MAY NOT APPEAR ON ALL ASSEMBLIES.
- 5. DIMENSIONS IN BRACKETS ARE IN INCHES.
- 6. HOUSING FEATURES ARE: CLOSED END WITHOUT LOCKING RAMP.
- 7 OBSOLETE PARTS: OBSOLETE CIS STREAMLINING PER D.RENAUD/D.SINISI

DIM A	NO. OF CIRCUITS	PART NO.
47.55 [1.872]	12	4-644502-2
43.59 [1.716]	11	4-644502-1
39.62 [1.560]	10	4-644502-0
35.66 [1.404]	9	3-644502-9
31.70 [1.248]	8	3-644502-8
27.74 [1.092]	7	3-644502-7
23.77 [.936]	6	3-644502-6
19.81 [.780]	5	3-644502-5
15.85 [.624]	4	3-644502-4
11.89 [.468]	3	3-644502-3
7.92 [.312]	2	3-644502-2
47.55 [1.872]	12	1-644502-2
43.59 [1.716]	11	1-644502-1
39.62 [1.560]	10	1-644502-0
35.66 [1.404]	9	644502-9
31.70 [1.248]	8	644502-8
27.74 [1.092]	7	644502-7
23.77 [.936]	6	644502-6
19.81 [.780]	5	644502-5
15.85 [.624]	4	644502-4
11.89 [.468]	3	644502-3
7.92 [.312]	2	644502-2

7 SUPERSEDED
 OBSOLETE
 7 SUPERSEDED



THIS DRAWING IS A CONTROLLED DOCUMENT.

DWN B. LEWIS 12FEB91	 TE Connectivity MTA 156 CONNECTOR ASSEMBLY, 18 AWG,UL94V-0, SPECIAL
CHK R. SWING 12FEB91	
APVD D. CLARK 20FEB91	
PRODUCT SPEC 108-1051	
MATERIAL 1	APPLICATION SPEC 114-1020 WEIGHT - CUSTOMER DRAWING
DIMENSIONS: mm [INCHES] TOLERANCES UNLESS OTHERWISE SPECIFIED: 0 PLC ± - 1 PLC ± - 2 PLC ± - 3 PLC ± - 4 PLC ± - ANGLES ± - FINISH 1	
NAME SIZE A2 CAGE CODE 00779 DRAWING NO C-644502 RESTRICTED TO - SCALE 4:1 SHEET 1 of 1 REV D2	