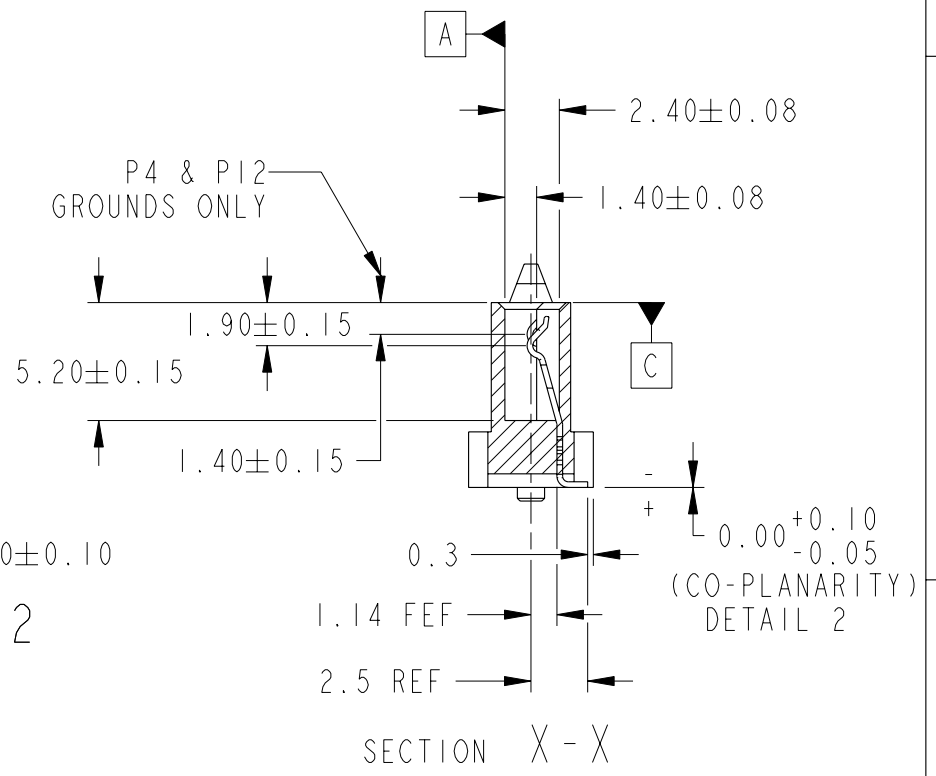
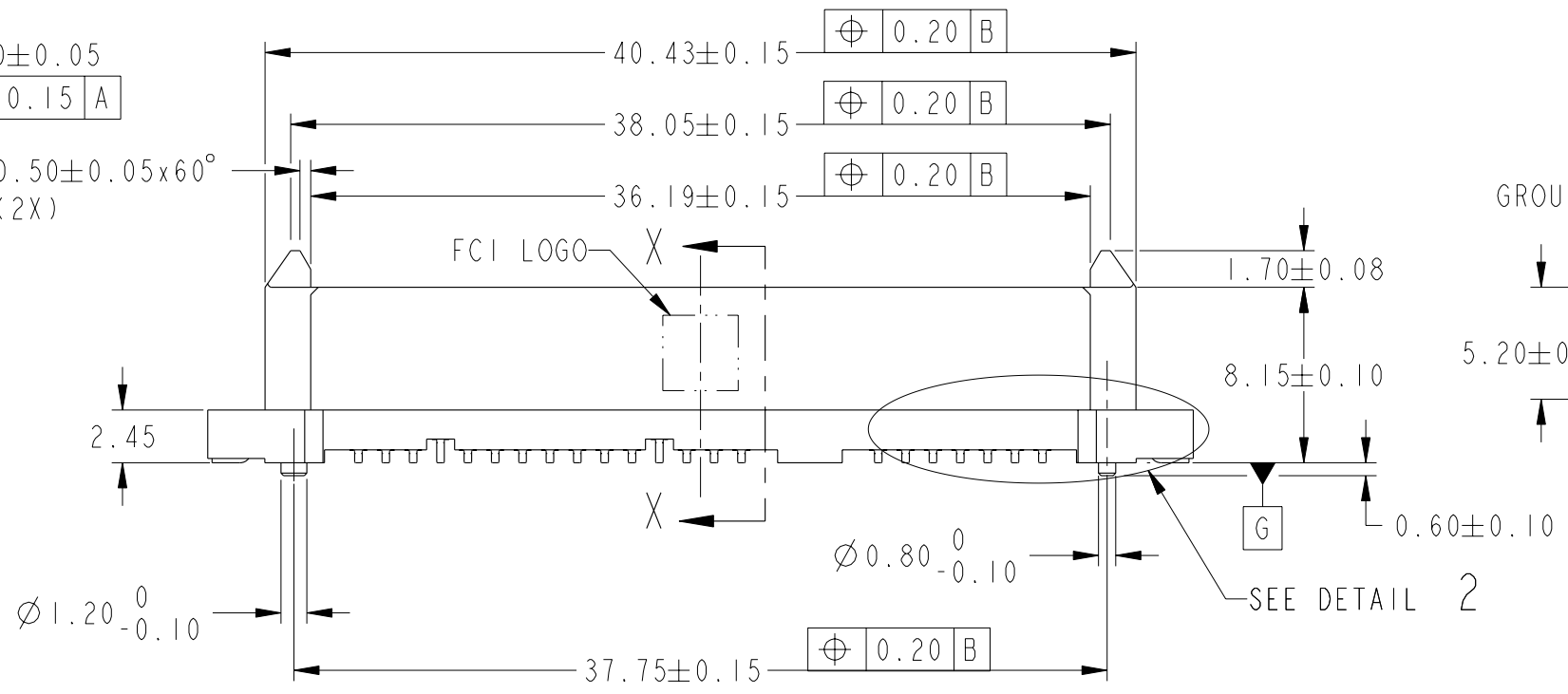
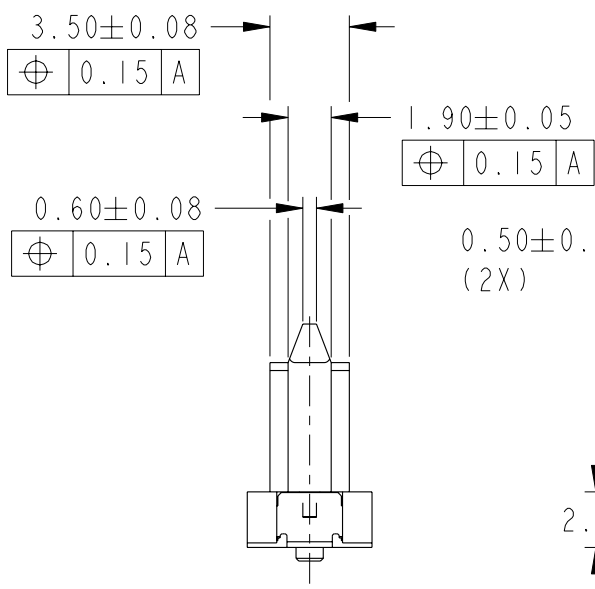
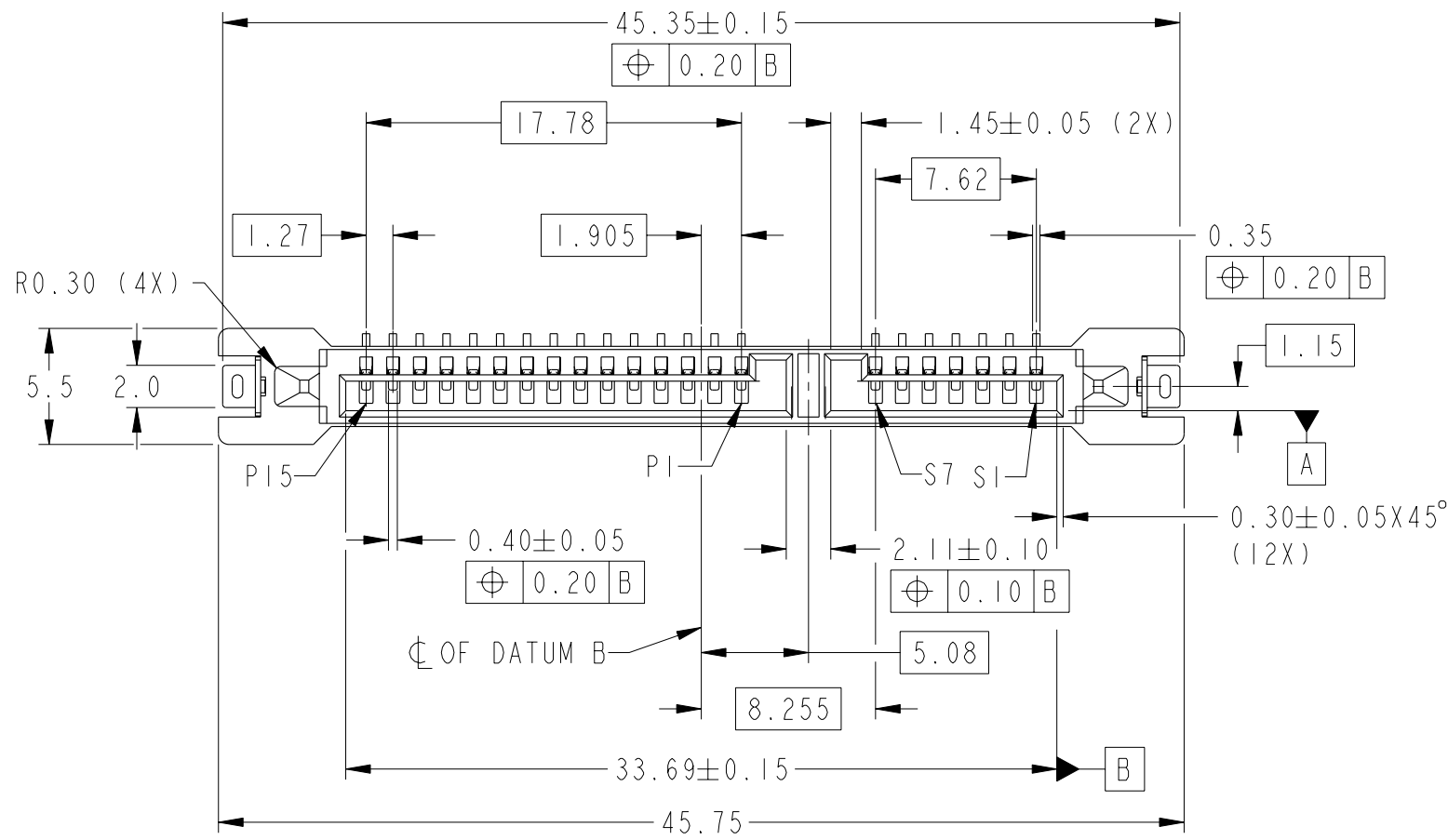


PRODUCT NO
SEE TABLE

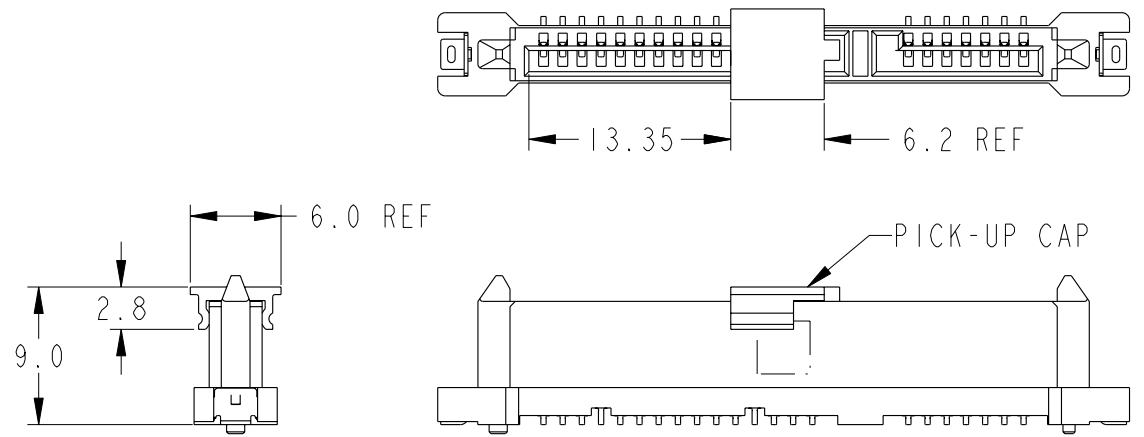


Copyright FCI.

spec ref	-	dr	GL LOO	2004-02-27	projection	MM	size	A3	scale	3:1
tolerance std	ISO 406 ISO 1101	eng	GL LOO	2004-02-27			ecn no	S10-0228	rel level	-
TOLERANCES UNLESS OTHERWISE SPECIFIED		chr	GL LOO	2010-10-28						
surface	ISO 1302	appr	JOEY NG	2010-10-28			rel level	-	rev	H
linear	0.X ± 0.XX ±0.20 0.XXX ±			title S-ATA COMB RECEP VERTICAL SMT TYPE ASSY		size 10029065	cat. no. - Product - Customer Drw		sheet 1 of 3	
angular	0° ±2°	www.fci.com		PDS: Rev :H		STATUS:Released		Printed: Nov 01, 2011		

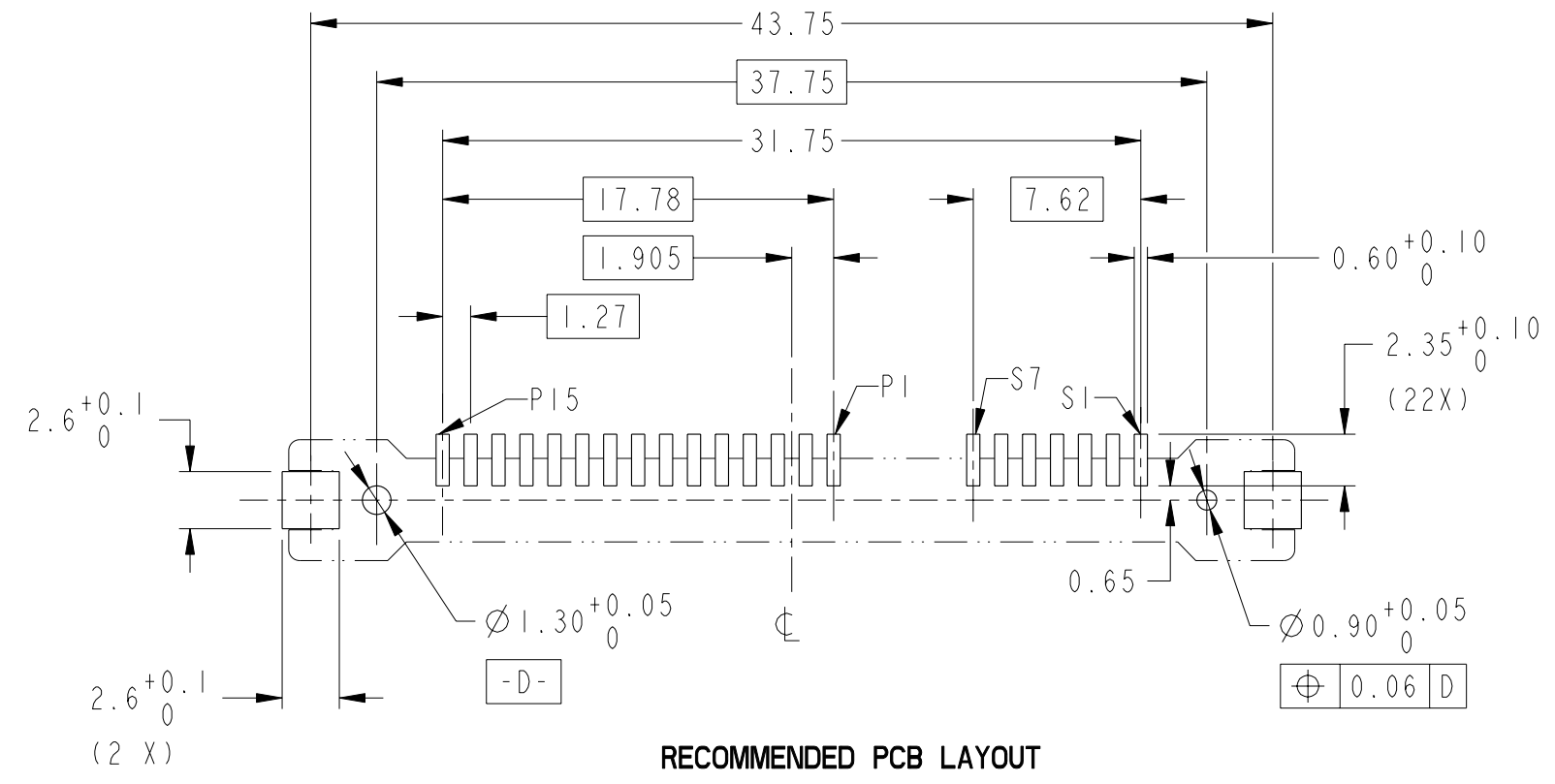
PRODUCT NO	PLATING	PICK- UP CAP	PACKAGING	REMARKS	PRODUCT NO	PLATING
10029065-001LF	NOTE ③	NO	TRAY	-	10029065-401LF	NOTE ⑪
10029065-001CLF		YES		SEE NOTE ④	10029065-401CLF	
10029065-001C-TRLF		YES	TAPE & REEL	SEE NOTE ⑨	10029065-401C-TRLF	

NOTE 11

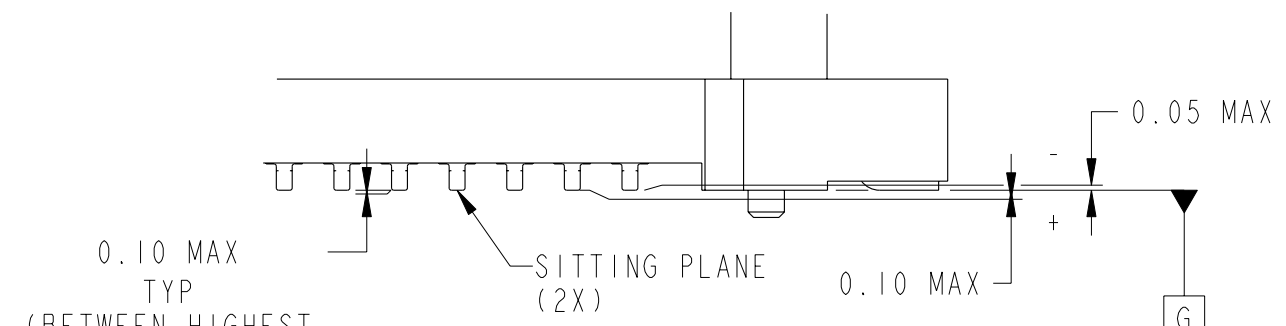


PART WITH PICK-UP CAP, SEE NOTE ④

SCALE 2:1



RECOMMENDED PCB LAYOUT



DETAIL 2
SCALE 6:1



Copyright FCI.

spec ref	-	dr	GL LOO	2004-02-27	projection	MM	size	A3	scale	3:1
tolerance std	ISO 406 ISO 1101	eng	GL LOO	2004-02-27			ecn no	S10-0228	rel level	-
TOLERANCES UNLESS OTHERWISE SPECIFIED		chr	GL LOO	2010-10-28						
surface	ISO 1302	appr	JOEY NG	2010-10-28			rel level	-	dwg no	10029065
linear	0.X ± 0.XX ±0.20 0.XXX ±			S-ATA COMB RECEP VERTICAL SMT TYPE ASSY		rev	H	Product - Customer Drw		
angular	0° ±2°	www.fci.com		cat. no.	-	sheet 2 of 3				

NOTES:

- 1 THIS PRODUCT MEETS THE SATA SPEC REV. 1.0a
- 2 MATERIAL :
 - 1) HOUSING : HIGH TEMP TERMOPLASTIC, UL 94V-0
 - COLOR : BLACK
 - 2) TERMINAL : COPPER ALLOY
 - 3) HOLD DOWN : COPPER ALLOY
- ③ FINISH :
 - 1) TERMINAL : 30μ" Au PLATING (CONTACT POINT) OVER 50μ" NICKEL
 - 2) SOLDER TAIL : 50μ" min Sn OVER 50μ" NICKEL
 - 3) HOLD DOWN : 50μ" min Sn OVER 50μ" NICKEL
- ④ PART WITH PICK-UP CAP, P/N XXXXXXXX-XXX_C LF
- ⑤ THE STD PACKAGING IS IN TRAY UNLESS OTHERWISE SPECIFIED.
- 6 THE HOUSING WILL WITHSTAND EXPOSURE TO 260°C PEAK TEMPERATURE FOR 10 SECONDS IN A CONVECTION INFRA-RED OR VAPOR PHASE REFLOW OVEN.
- ⑦ THIS PRODUCT MEETS EUROPEAN UNION DIRECTIVES AND OTHER COUNTRY REGULATIONS AS DESCRIBED IN GS-22-008.
- ⑧ PART NUMBERS ENDING IN"LF" MEANS FOR NOTE 7 LEAD FREE IDENTIFICATION
 - (i) ~~P/N XXXXXXXX-XXXLF IS EQUIVALENT TO PREVIOUS P/N XXXXXXXX-XXX~~
 - (ii) ~~P/N XXXXXXXX-XXXCLF IS EQUVALENT TO PREVIOUS P/N XXXXXXXX-XXXC~~
- ⑨ FOR TAPE & REEL PACKAGING, SUFFIX "-TR" ADDED.
P/N XXXXXXXX-XXXC-TR LF
- ⑩ A $\triangle H$ SYMBOL WILL BE NEXT TO ANY DIMENSION, VIEW, OR NOTE WHICH HAS BEEN MODIFIED WITH THE CURRENT DRAWING REVISION
- ⑪ FINISH :
 - 1) TERMINAL : 15μ" GXT PLATING (CONTACT POINT) OVER 50μ" NICKEL
 - 2) SOLDER TAIL : 50μ" min Sn OVER 50μ" NICKEL
 - 3) HOLD DOWN : 50μ" min Sn OVER 50μ" NICKEL



Copyright FCI.

spec ref	-	dr	GL LOO	2004-02-27	projection	MM	size	A3	scale	3:1	
tolerance std	TOLERANCES UNLESS OTHERWISE SPECIFIED	eng	GL LOO	2004-02-27			ecn no		SI0-0228		
ISO 406		chr	GL LOO	2010-10-28			rel level		-		
ISO 1101		appr	JOEY NG	2010-10-28			product family		S-ATA		
surface \checkmark		linear	0.X	±-	title		S-ATA COMB RECEP		dwg no	10029065	rev
		0.XX	±0.20	www.fci.com		cat. no.		-		Product - Customer Drw	
		0.XXX	±-							sheet 3 of 3	
	angular	0°	±2°								