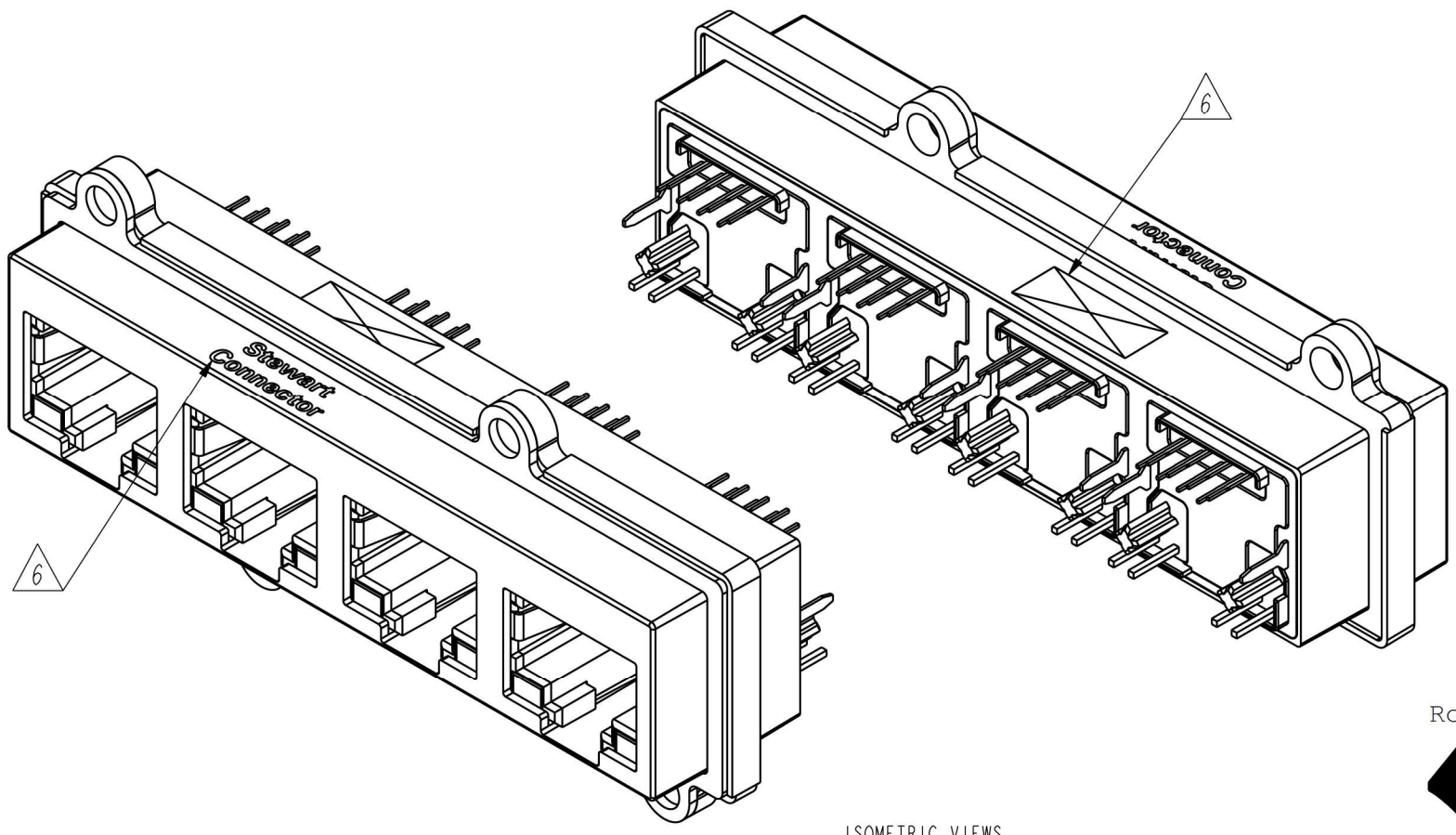
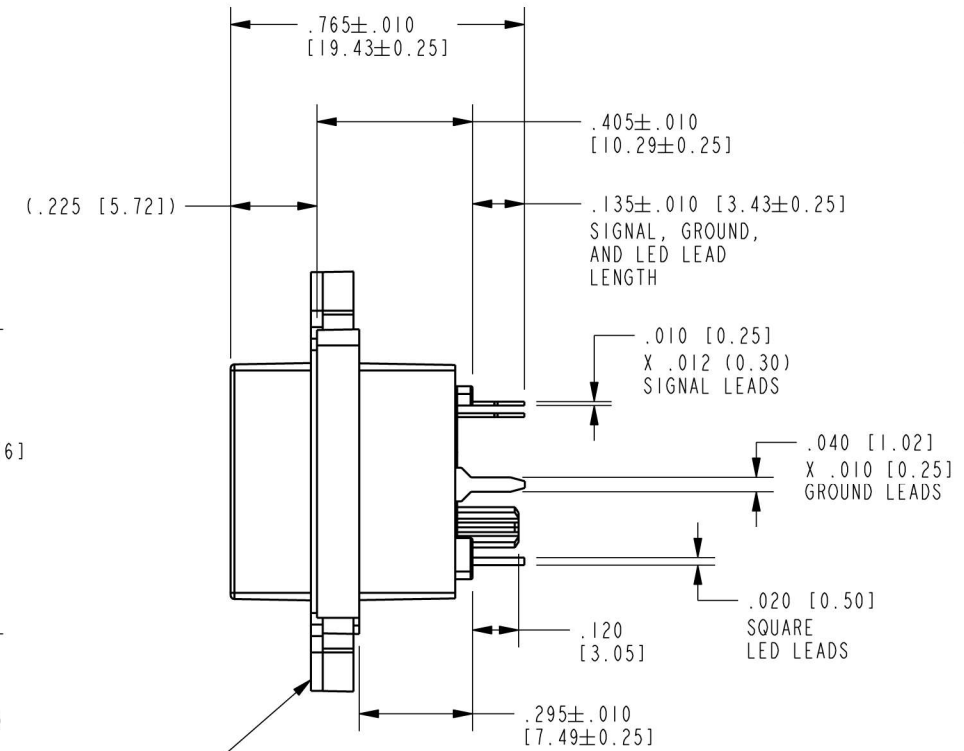
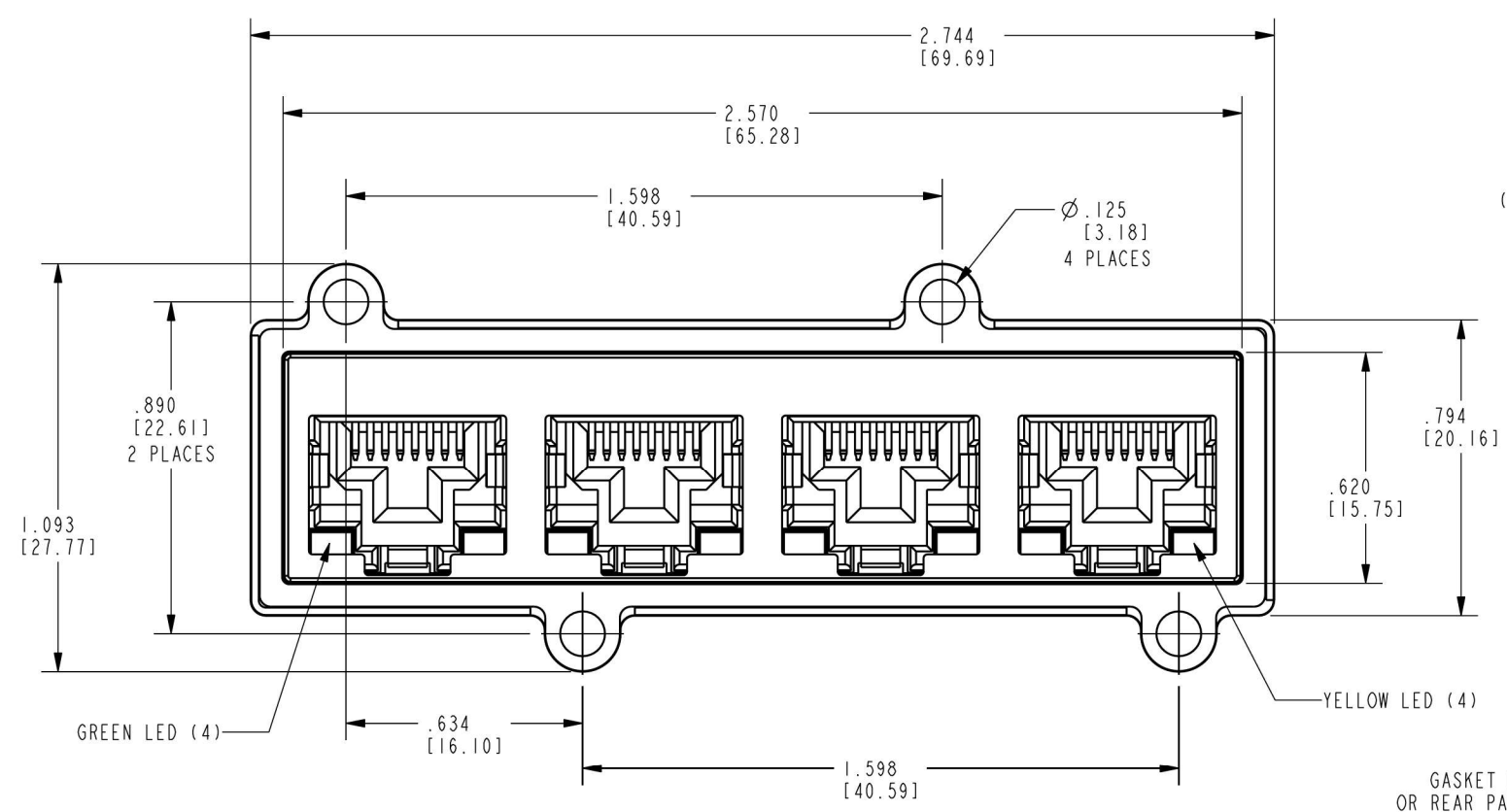


DATE	REV.	ECN	APP'D BY
3-6-17	A0	-	ADB
4-21-17	A1	10984	ADB
4-27-17	A2	10989	ADB
12-22-17	A3	11180	ADB



ISOMETRIC VIEWS

NOTES:

- CONNECTOR MATERIALS:
HOUSING/INSERT: THERMOPLASTIC UL94 V-0
SHIELD: ZINC DIE-CAST ALLOY
SHIELD PLATING: NICKEL OVER COPPER
CONTACTS: COPPER ALLOY
CONTACT PLATING: SEE TABLE BELOW
GASKET: SILICONE RUBBER
SILICONE SEALING COMPOUND IN REAR OF JACK
- PRODUCT INTENDED FOR CATEGORY 6 APPLICATIONS.
- DIMENSIONS AND TOLERANCES COMPLY WITH TIA-1096 STANDARD.
- REFERENCE PRODUCT SPECIFICATION PR042-01.
- ENVIRONMENTAL PERFORMANCE PER IEC 60529 CODE IP67, FOR CONNECTOR AND PANEL INTERFACE. REFER TO INSTRUCTION SHEET MN600001 FOR INSTALLATION GUIDELINES.
- PRODUCT MARKED WITH COMPANY LOGO, PART NUMBER, AND MANUFACTURING DATE / LOCATION IN AREAS AS SHOWN.

50 MICRO-INCHES [1.27um]	SS-60400-007
CONTACT PLATING IN MATING AREA	PART NUMBER

THIRD ANGLE PROJECTION

DO NOT SCALE DRAWING
DRAWING IS SUBJECT TO CHANGE WITHOUT NOTICE

DIMENSIONS: INCHES [METRIC]

UNLESS OTHERWISE SPECIFIED TOLERANCES ARE ±.005 [0.13] ANGLES ARE ±1°

SHEET NO. 1 OF 3

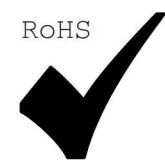
stewart
CONNECTOR
a bel group

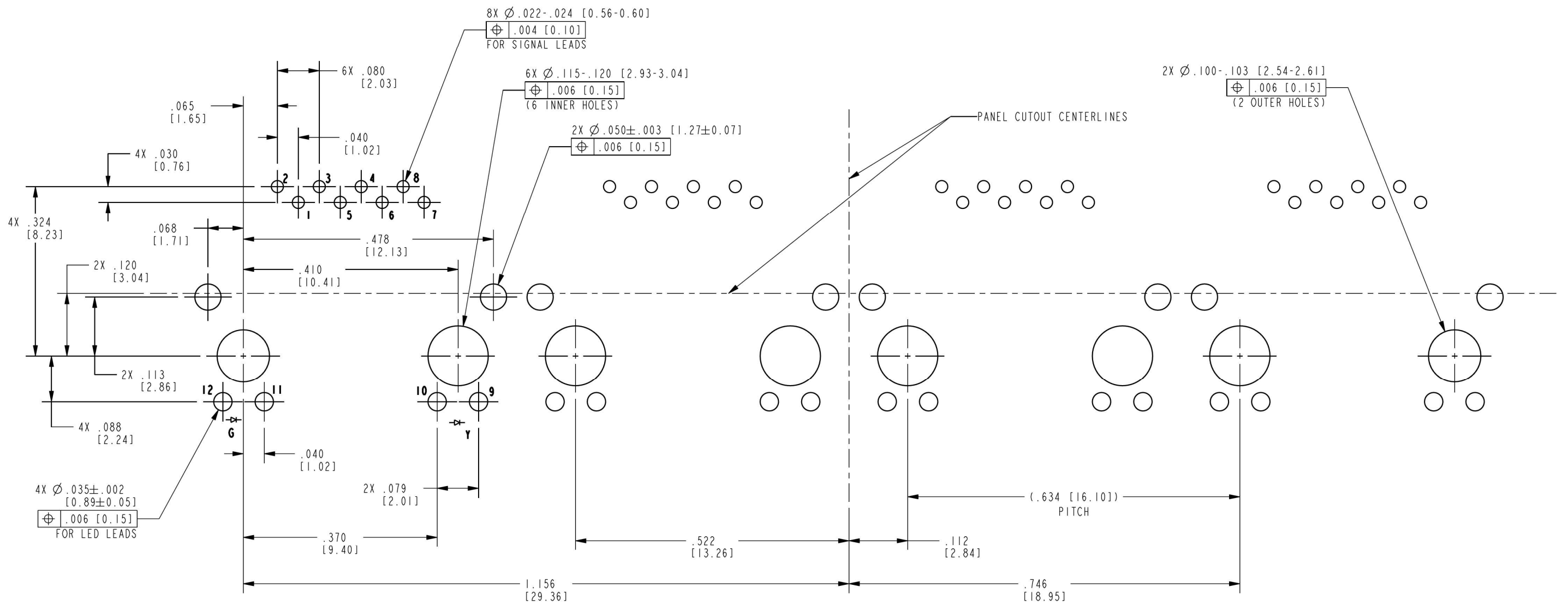
11118 Susquehanna Trail South
Glen Rock, PA 17327-9199
(717) 235-7512
<http://www.stewartconnector.com>

TITLE: VERTICAL CAT 6 SEALJACK, 4 PORT, WITH LEDS AND THROUGH-HOLE MOUNTING

DRN BY: ADB	DATE: 10-22-15
APPD BY: DHG	DATE: 10-23-15
DWG. NO. CT600159	REV. A3

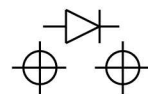
THIS DRAWING AND THE SUBJECT MATTER SHOWN THEREON ARE CONFIDENTIAL AND THE PROPRIETARY PROPERTY OF STEWART CONNECTOR AND SHALL NOT BE REPRODUCED, COPIED, OR USED IN ANY MANNER WITHOUT PRIOR WRITTEN CONSENT OF STEWART CONNECTOR. ONE OR MORE U.S. PATENTS MAY APPLY TO THIS PRODUCT. FOR DETAILS, PLEASE VISIT: [HTTP://BELFUSE.COM/STEWART/STEWART_PATENTS/](http://BELFUSE.COM/STEWART/STEWART_PATENTS/)





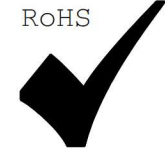
RECOMMENDED P.C.B. LAYOUT (COMPONENT SIDE OF BOARD)
 SCALE 5.000
 ALL CENTERLINE DIMENSIONS ARE BASIC (PATTERN REPEATS 4 TIMES AS SHOWN)

LED POLARITY
(ENLARGED VIEW)

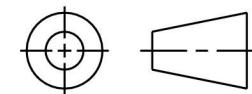


LED SPECIFICATION			
STANDARD LED	WAVELENGTH	FORWARD V (MAX)	*(TYP)
GREEN	565 nm	2.5 V	2.2 V
YELLOW	590 nm	2.5 V	2.1 V

*WITH A FOWARD CURRENT OF 20 mA (TYP)



THIRD ANGLE PROJECTION



11118 Susquehanna Trail South
 Glen Rock, PA 17327-9199
 (717) 235-7512

<http://www.stewartconnector.com>

DO NOT SCALE DRAWING
 DRAWING IS SUBJECT TO
 CHANGE WITHOUT NOTICE

TITLE: VERTICAL CAT 6 SEALJACK, 4 PORT,
 WITH LEDS AND THROUGH-HOLE MOUNTING

DIMENSIONS: INCHES [METRIC]
 UNLESS OTHERWISE SPECIFIED
 TOLERANCES ARE ±.005 [0.13]
 ANGLES ARE ±1°

THIS DRAWING AND THE SUBJECT MATTER SHOWN THEREON
 ARE CONFIDENTIAL AND THE PROPRIETARY PROPERTY OF
 STEWART CONNECTOR AND SHALL NOT BE REPRODUCED,
 COPIED, OR USED IN ANY MANNER WITHOUT PRIOR WRITTEN
 CONSENT OF STEWART CONNECTOR. ONE OR MORE U.S. PATENTS
 MAY APPLY TO THIS PRODUCT. FOR DETAILS, PLEASE
 VISIT: [HTTP://BELFUSE.COM/STEWART/STEWART_PATENTS/](http://BELFUSE.COM/STEWART/STEWART_PATENTS/)

DRN BY: ADB DATE 10-22-15

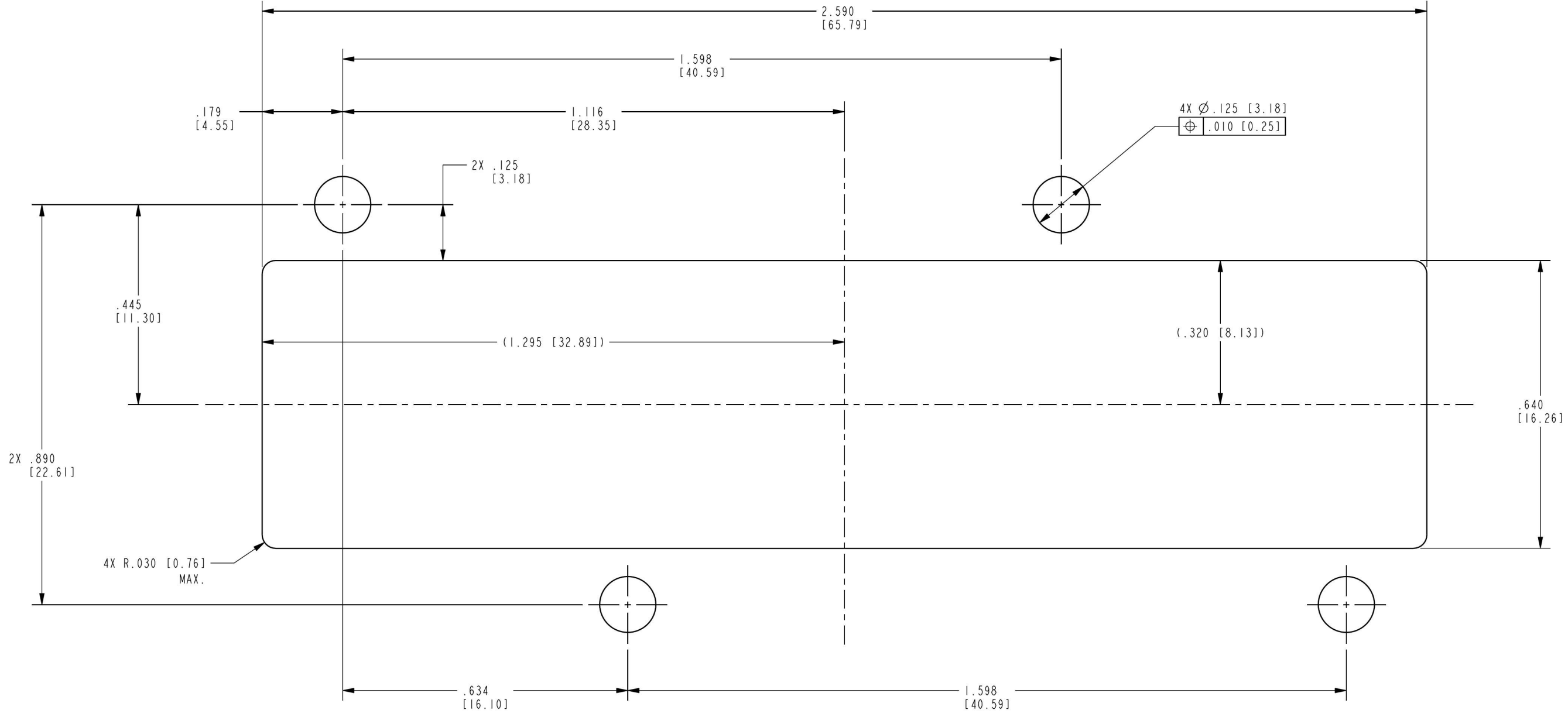
APPD BY: DHG DATE 10-23-15

DWG. NO. CT600159 REV. A3

SHEET NO. 2 OF 3

B

B



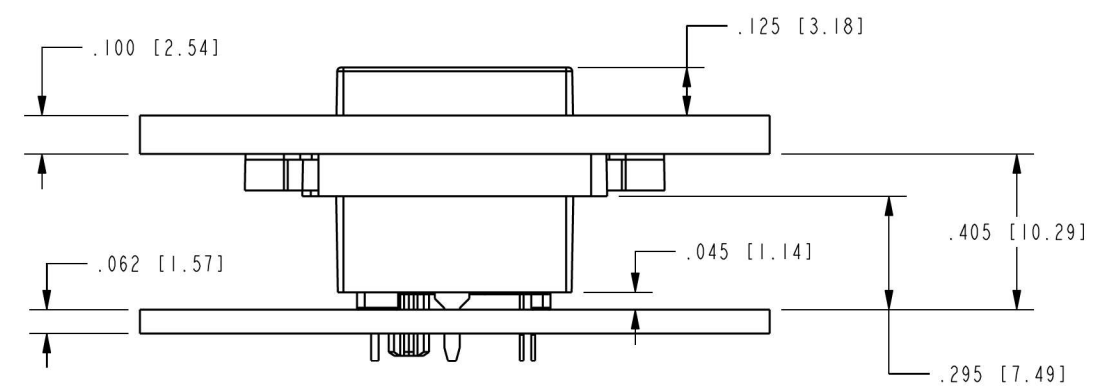
RECOMMENDED PANEL LAYOUT (FRONT OF PANEL)
SCALE 4.000
ALL CENTERLINE DIMENSIONS ARE BASIC

NOTES:

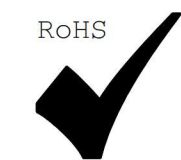
- 1. IF MOUNTING MULTIPLE CONNECTORS SIDE-BY-SIDE, THE SUGGESTED SPACING (PITCH) IS AT LEAST 2.8 INCHES [71 mm].

A

A



SIDE VIEW - SHOWN WITH .100" PANEL AND .062" BOARD FOR REFERENCE ONLY
SCALE 2.000
(SHOWN WITH GASKET IN FULLY COMPRESSED STATE)



THIRD ANGLE PROJECTION	
DO NOT SCALE DRAWING DRAWING IS SUBJECT TO CHANGES WITHOUT NOTICE	
DIMENSIONS: INCHES [METRIC]	
UNLESS OTHERWISE SPECIFIED TOLERANCES ARE ±.005 [0.13] ANGLES ARE ±1°	
SHEET NO. 3 OF 3	

stewart CONNECTOR a bel group	11118 Susquehanna Trail South Glen Rock, PA 17327-9199 (717) 235-7512 http://www.stewartconnector.com	
	TITLE: VERTICAL CAT 6 SEALJACK, 4 PORT, WITH LEDS AND THROUGH-HOLE MOUNTING	
DRN BY: ADB	DATE: 10-22-15	
APPD BY: DHG	DATE: 10-23-15	
DWG. NO. CT600159	REV. A3	