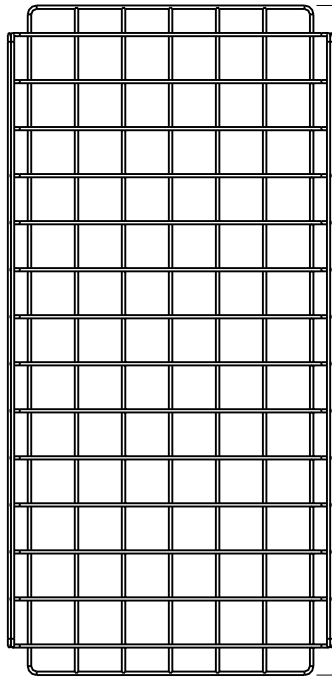
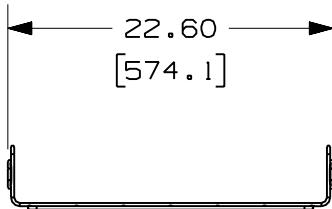


THIS COPY IS PROVIDED ON A RESTRICTED BASIS AND IS NOT TO BE USED IN ANY WAY DETRIMENTAL TO THE INTERESTS OF PANDUIT CORP.

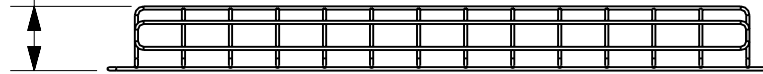


46.50
[1181.1]



22.60
[574.1]

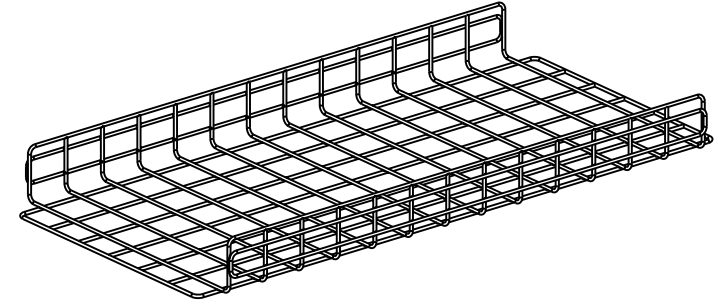
4.46
[113.3]



PANDUIT PART NUMBER	WEIGHT
GR21X4X48PG	12.30 LB/EA (5579g/EA)

NOTES:

- SEE CURRENT CATALOG FOR ADDITIONAL PART SUFFIXES TO INDICATE PACKAGE QUANTITY.
- DIMENSIONS IN PARENTHESES ARE IN METRIC.



ENG. REF.: D39065JN_DC/00 GR21X4X48

CAD FILENAME/LAYERS

GR21X4X48PG.pdf

PANDUIT CORP TINLEY PARK, ILLINOIS
GRIDRUNNER 21x4x48 WIRE BASKET
 (GR21X4X48PG)
 CUSTOMER DRAWING

UNLESS OTHERWISE SPECIFIED,
 DIMENSIONAL TOLERANCES ARE:

(.X) ± (.XXX) ±
 (.XX) ± .03 (.8) ANGLES ±

UNLESS OTHERWISE SPECIFIED,
 ALL DIMENSIONS ARE GIVEN IN
 INCHES, THIRD ANGLE PROJECTION.

DRAWN BY
 MSO

MAT'L:

SCALE

NONE

DATE
 4-18-07

PRE-GALVANIZED
 STEEL WIRE

DRAWING NO.

39065-61

DWG

A

SIZE

REV	DATE	BY	CHK	DESCRIPTION	ECN	R	CUST	SUP	GMBH
R	4-18-07	MSO	SABR	RELEASED TO PRODUCTION	39065-61	RN	RN		