

THIS DRAWING IS UNPUBLISHED.

RELEASED FOR PUBLICATION

LOC E DIST B

REVISIONS

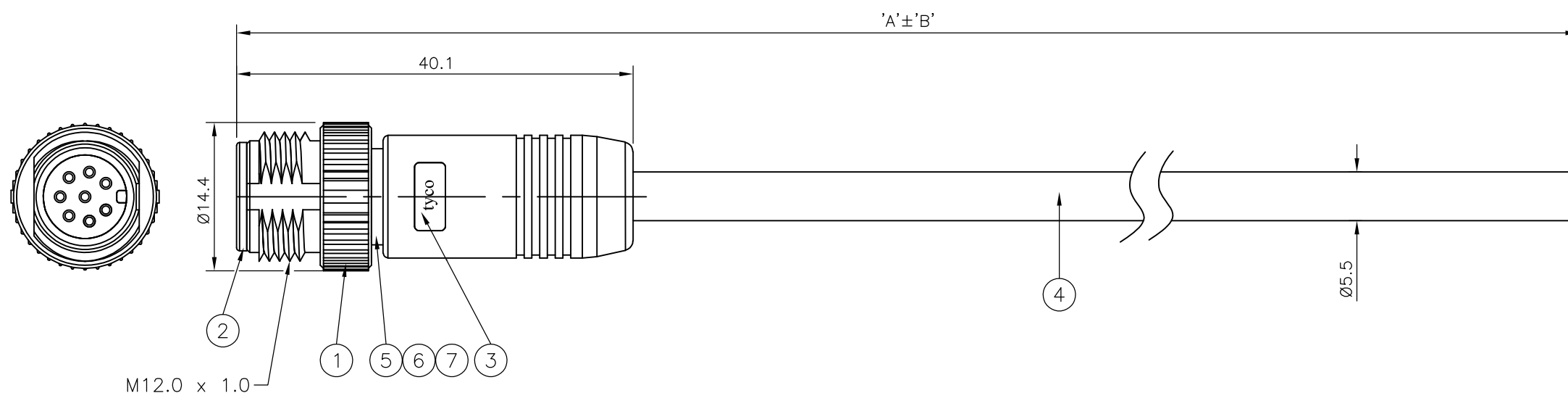
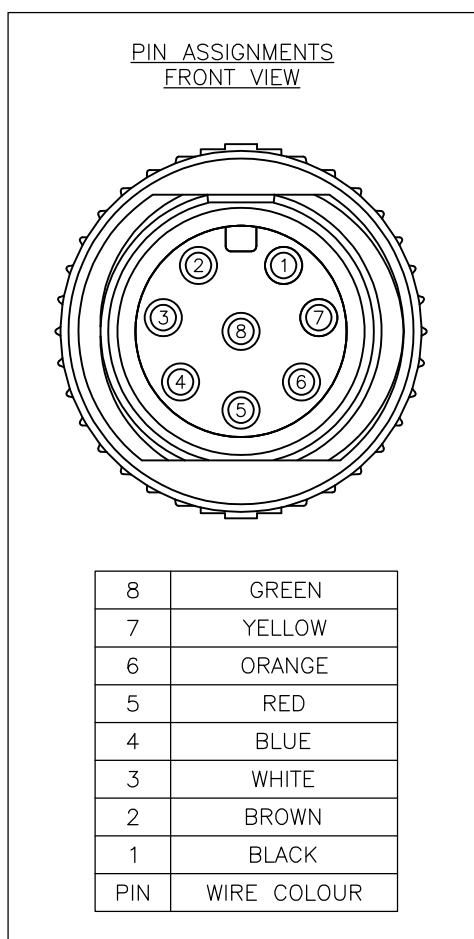
© COPYRIGHT - By - ALL RIGHTS RESERVED.

P	LTR	DESCRIPTION	DATE	DWN	APVD
	B1	REVISED PER ECO-11-005150	21MAR11	RK	HMR

NOTES:

- ELECTRICAL DATA: CONTACT RESISTANCE: 10 mOhm MAX
INSULATION RESISTANCE: 100 MOhm MIN at 500VDC
CURRENT RATING: 5 AMPS
BREAKDOWN VOLTAGE: 500 VAC MIN PER MINUTE
- ENVIRONMENTAL: OPERATING TEMPERATURE: -20°C TO +80°C
SEALING REQUIREMENTS: IP67
- PROD SPEC: 108-3641
- PACKAGING: 107-3334
- FOR TECHNICAL DATA REFER TO YOUR LOCAL TE CONNECTIVITY SALES OFFICE
- ALL DIMENSIONS ARE NOMINAL FOR REFERENCE ONLY UNLESS OTHERWISE STATED

ITEM	DESCRIPTION	MATERIAL	FINISH/COLOUR	QTY
1	SCREW NUT	ZINC DIE CAST	2.5µm NICKEL PLATED	1
2	CONNECTOR BODY	GF NYLON	BLACK	1
3	PIN CONTACT	BRASS	0.15µm GOLD OVER NICKEL	8
4	8 CORE CABLE (CORES 24AWG TO UL2464)	PVC JACKET UV RESISTANT	BLACK	1
5	SHIELD	BRASS	-	1
6	SHIELDING FOIL	COPPER	-	1
7	ADHESIVE	-	-	1



10000	500 mm	M12 STRAIGHT MALE CONNECTOR 10.0m CABLE	1838363-5
7000	350 mm	M12 STRAIGHT MALE CONNECTOR 7.0m CABLE	1838363-4
5000	250 mm	M12 STRAIGHT MALE CONNECTOR 5.0m CABLE	1838363-3
3000	150 mm	M12 STRAIGHT MALE CONNECTOR 3.0m CABLE	1838363-2
2000	100 mm	M12 STRAIGHT MALE CONNECTOR 2.0m CABLE	1838363-1
DIM A	TOL 'B'	DESCRIPTION	PART NUMBER

THIS DRAWING IS A CONTROLLED DOCUMENT.

DWN MANJUNATH.T.N 10APR06
CHK F.WHEELER-KING 04MAY06
APVD F.WHEELER-KING 04MAY06

STE TE Connectivity

NAME: M12 SHIELDED, STRAIGHT MALE CONNECTOR WITHOUT STRAIN RELIEF 8 POSITION, PVC CABLE

PRODUCT SPEC: -
APPLICATION SPEC: -
WEIGHT: -

SIZE: A3 CAGE CODE: 00779 DRAWING NO: C-1838363 RESTRICTED TO: -

CUSTOMER DRAWING SCALE: NTS SHEET: 1 OF 1 REV: B1