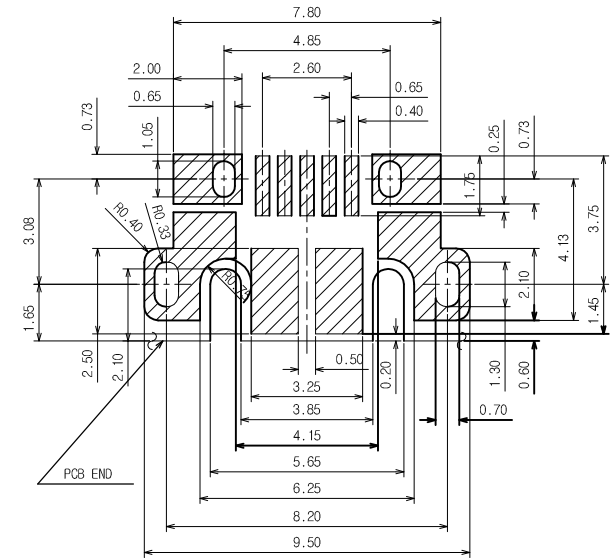
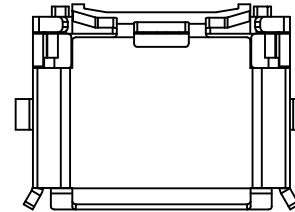
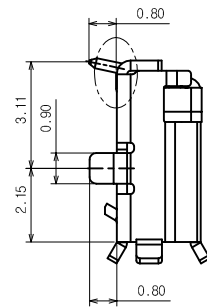
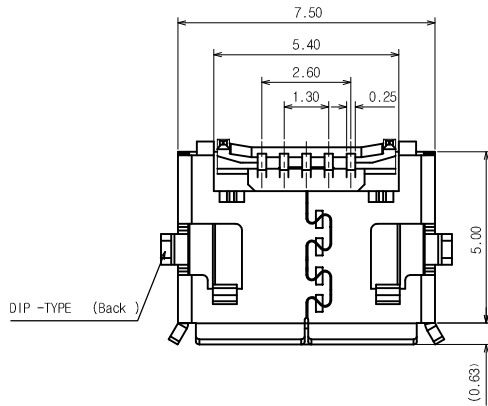


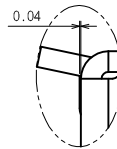
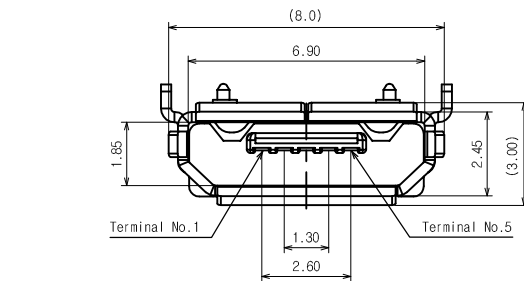
-NOTE-

1. Coplanarity:  
Solder tail of signal contacts: Max 0.08 mm
2. Product numbering:  
10103592 - 0001 LF



RECOMMENDED PCB Pattern

(Tolerance : ±0.05)



DETAIL "A"

No.	Part Name	Material	Finish	Remarks
1	Housing	Thermoplastic	Black	
2	Contact Ter'	Copper alloy	Au over Ni	
3	Plate	Stainless steel		
4	Shield	Stainless steel	Sn over Ni	

mat'l. code				tolerances unless otherwise specified				CUSTOMER COPY		FCJ		www.fciconnect.com		
ltr	ecn no	dr	date	linear	.X ± 0.38		projection	title		MICRO-USB B-TYPE REVERSE		code		
A	T10-0002	J.H	1/7/10		.XX ± 0.25			MM		product family USB		TWN		
B	ELX-N-19511	J.H	11/20'14		.XXX ± 0.10			scale		size		dwg no		
				angles	0° ± 2'		NA		A4		10103592		sheet 1 of 1	
sheet index		revision sheet		B 1										