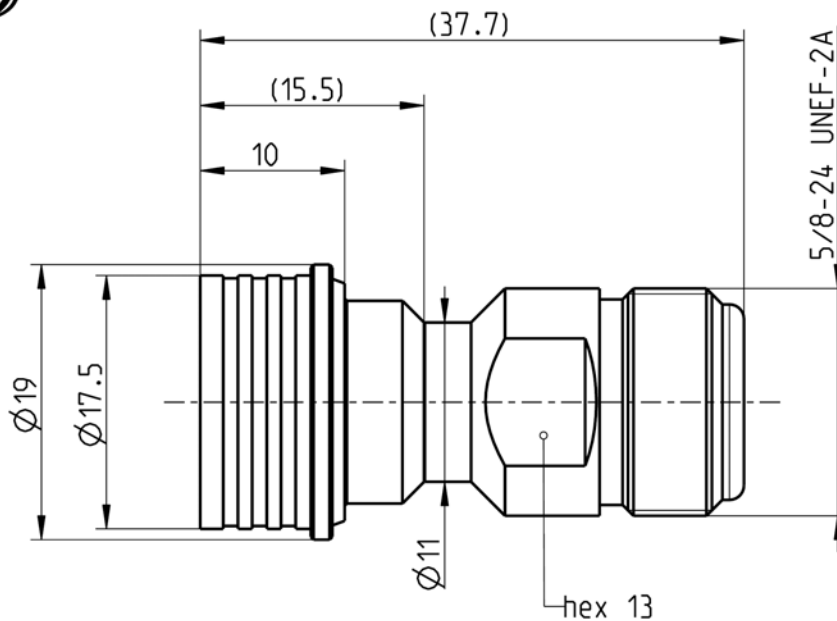


ADAPTOR
QN PLUG – N 50 Ω JACK

153QS153-K00N5



All dimensions are in mm; tolerances according to ISO 2768 m-H

Interface

QN according to
N according to

153QS000-000, DCA-00067913
IEC 60169-16, MIL-PRF-39012, CECC 22210

Documents

N/A

Material and plating

Connector parts

- Center contact
- Outer contact
- Contact spring
- Body
- Dielectric

Material

- CuBe
- Brass
- CuBe
- Brass
- PTFE

Plating

- AuroDur®, gold plated
- Flash white bronze over silver(e.g. Optargen®)
- AuroDur®, gold plated
- Flash white bronze over silver(e.g. Optargen®)

**ADAPTOR
QN PLUG – N 50 Ω JACK**

153QS153-K00N5

Electrical data

Impedance	50 Ω	
Frequency	DC to 11 GHz	
Return loss	≥ 30 dB, DC to 3 GHz	
	≥ 25 dB, 3 to 6 GHz	
Insertion loss	≤ 0.05 dB x √ f [GHz]	
Insulation resistance	≥ 5 x10 ³ MΩ	
Center contact resistance	≤ 1.5 mΩ, QN side	≤ 1 mΩ, N side
Outer contact resistance	≤ 1.5 mΩ, QN side	≤ 0.25 mΩ, N side
Test voltage	2500 V rms	
Working voltage	1000 V rms	
RF-leakage	≤ -90 dB, 100 MHz to 3 GHz	
Power handling	300 W @2.5 GHz (typ.)	
Intermodulation (3 rd order)	≤ -112 dBm @ 2 x 20 W	

Mechanical data

	QN side	N side
Mating cycles	min. 100	min. 500
Center contact captivation axial	≥ 28 N	≥ 28 N
Engagement force	30 N (typ.)	N/A
Disengagement force	30 N (typ.)	N/A
Coupling test torque	N/A	max. 1.7 Nm
Recommended torque	N/A	0.7 Nm to 1.1 Nm

Environmental data

Temperature range	-40°C to +125°C
Thermal shock	MIL-STD-202, Meth. 107 D, Cond. B
Corrosion	MIL-STD-202, Meth. 101 D, Cond. B
Vibration	MIL-STD-202, Meth. 204 D, Cond. A
Shock	MIL-STD-202, Meth. 213, Cond. I
Moisture resistance	MIL-STD-202, Meth. 106 F
Degree of protection (mated pair)	IEC 60529, IP68 0.3 bar (interface only)
RoHS	compliant

Tooling

Crimping tool	N/A
Crimp insert	N/A

Suitable cables

N/A

Weight

Weight	35 g/pce
--------	----------

While the information has been carefully compiled to the best of our knowledge, nothing is intended as representation or warranty on our part and no statement herein shall be construed as recommendation to infringe existing patents. In the effort to improve our products, we reserve the right to make changes judged to be necessary.

Draft	Date	Approved	Date	Rev.	Engineering change number	Name	Date
A.Fellner	29/08/05	Sa. Krautenbacher	11.03.14	c00	14-0352	T. Krojer	11.03.14
Rosenberger Hochfrequenztechnik GmbH & Co. KG P.O.Box 1260 D-84526 Tittmoning Germany www.rosenberger.de						Tel.: +49 8684 18-0 Fax: +49 8684 18-499 email: info@rosenberger.de	
						Page 2 / 2	