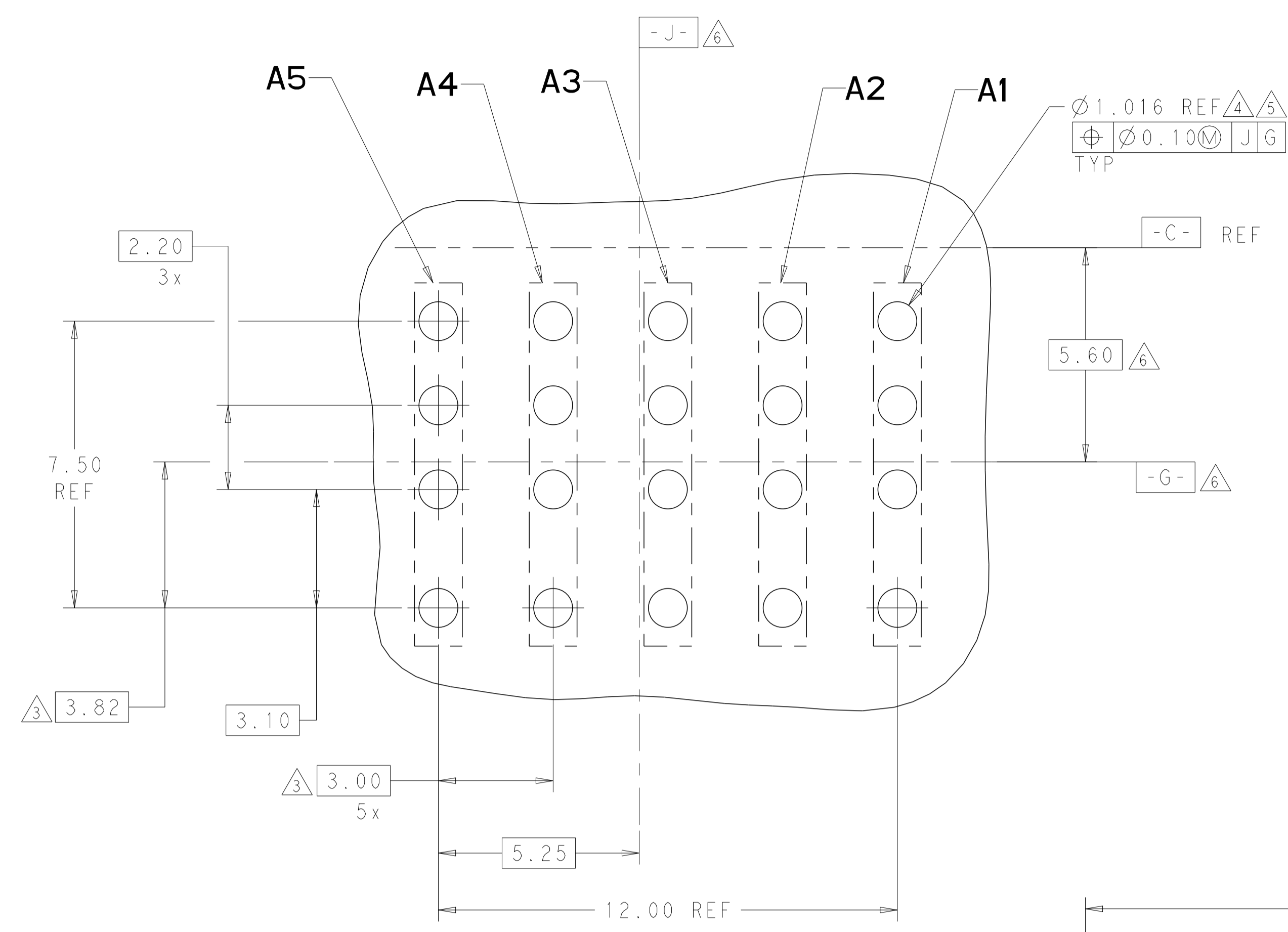
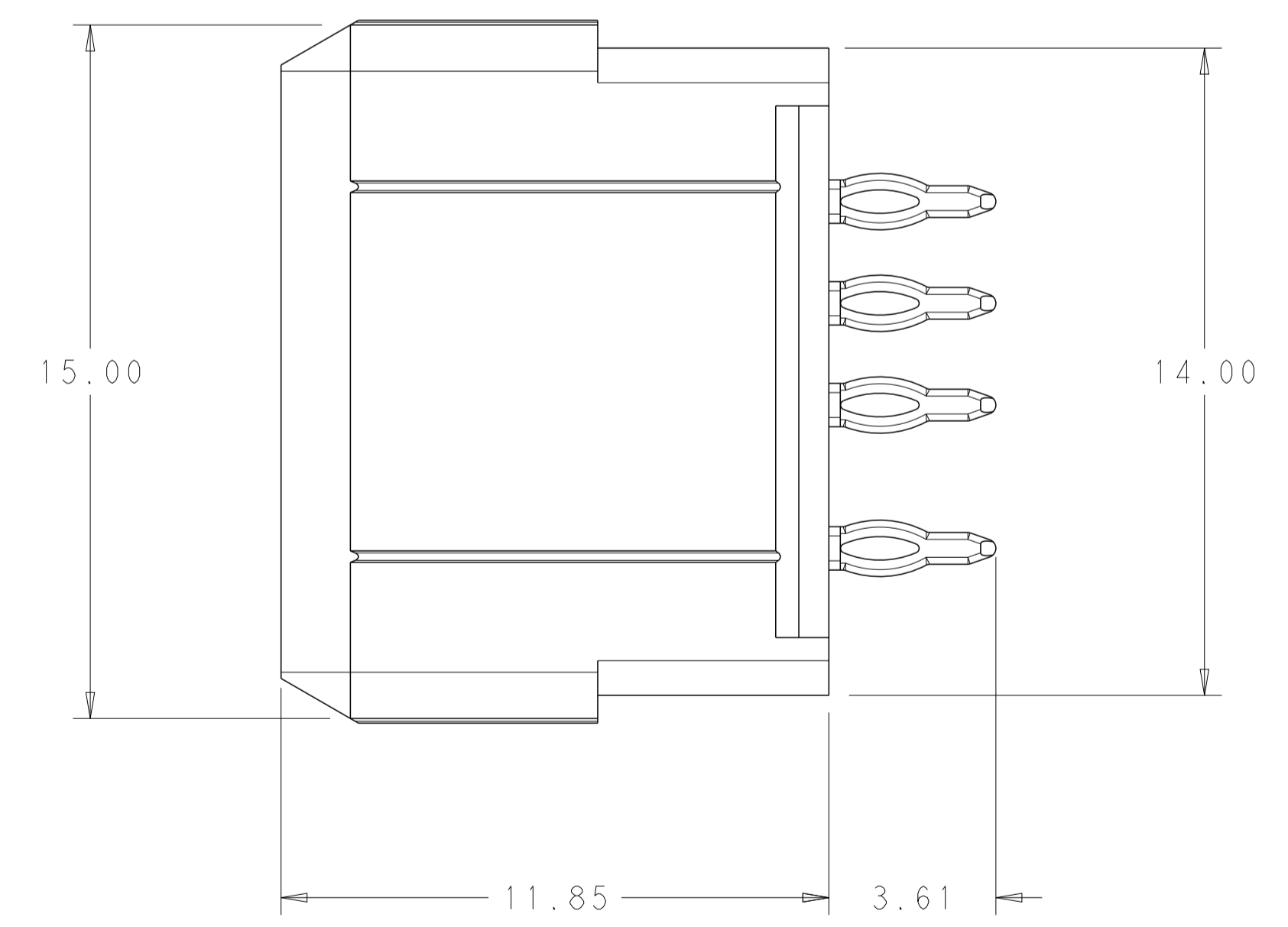
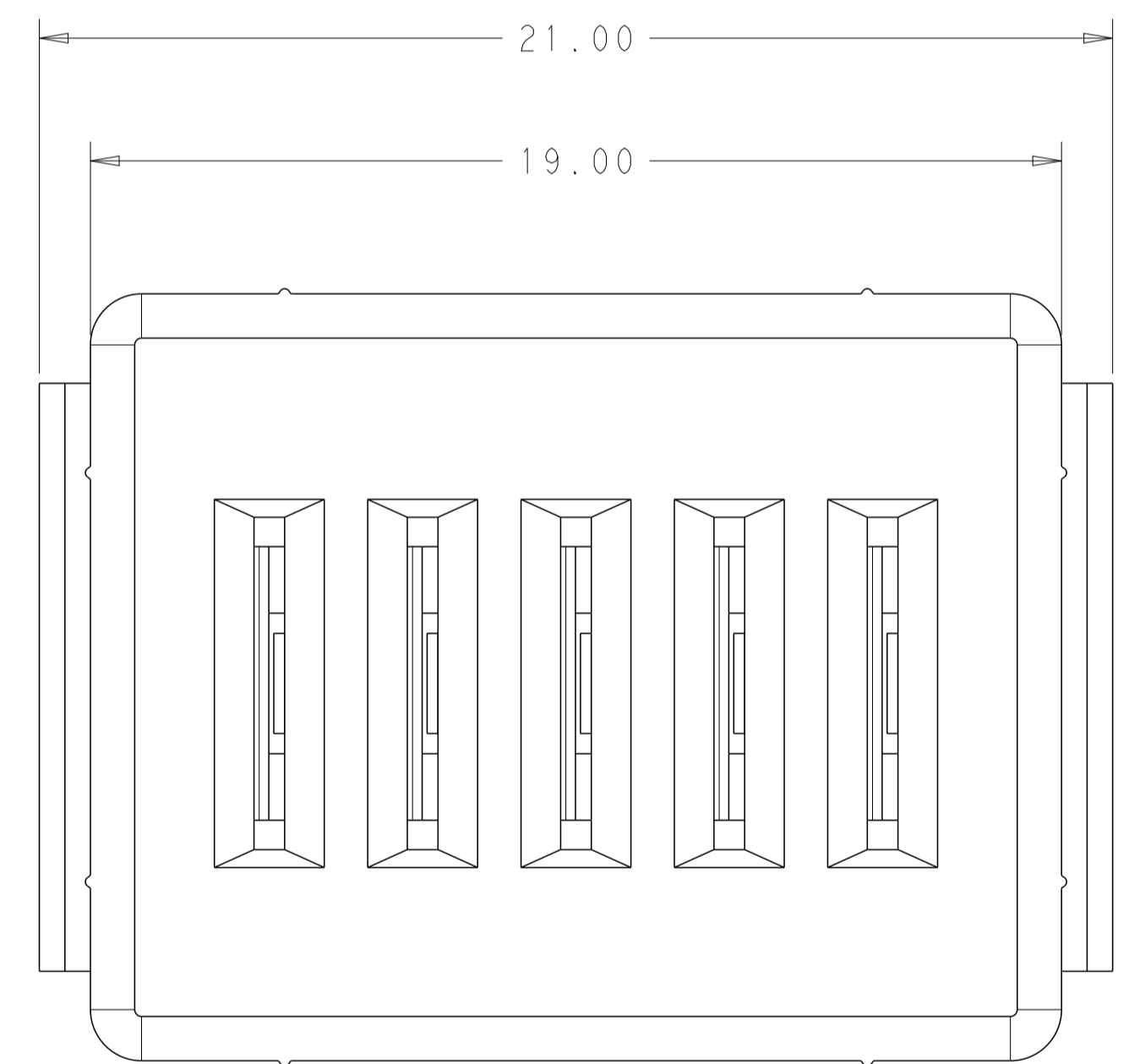


LOC		DIST		REVISIONS			
P	LTN	DESCRIPTION	DATE	DWN	APVD		
C		REV PER ECO 14-018159	12-15-14	CT	DH		
D		REVISED PER ECO-16-002176	30MAR2016	RS	CT		



RECOMMENDED PC BOARD LAYOUT  
COMPONENT SIDE SHOWN  
SCALE 10:1



- 1 MATERIAL:  
CONTACT - COPPER ALLOY  
HOUSING - LCP, COLOR - BLACK
- 2 FINISH:  
MATING AREA: 0.76µm MIN GOLD OVER  
2.54µm MIN NICKEL  
COMPLIANT PIN AREA: 0.76µm MIN MATTE TIN OVER  
2.54µm MIN NICKEL
- 3 DIMENSION APPLIES TO CENTERLINE OF THRU HOLE.
- 4 PCB- ALL HOLE DIAMETER ARE FINISHED DIMENSIONS.
- 5 REFERENCE APPLICATION SPEC 114-13251 FOR RECOMMENDED PLATED THRU HOLE DIAMETER AND PLATING THICKNESS.
- 6 REFERENCE PRINT 2102428 FOR DIMENSIONS.

2	2102446-1
FINISH	PART NUMBER

THIS DRAWING IS A CONTROLLED DOCUMENT.		DWN D. BELACK	11MAR2011		
DIMENSIONS: mm		CHK K. THACKSTON	APVD M. McALONIS		
0 PLC ±0.13 1 PLC ±0.10 2 PLC ±0.10 3 PLC ±0.10 4 PLC ±0.10 ANGLES ±2°		TOLERANCES UNLESS OTHERWISE SPECIFIED: PRODUCT SPEC 108-2474 APPLICATION SPEC 114-13251		NAME LOW POWER, METAL SHELL LRU, VERTICAL RECEPTACLE, MODULE	
MATERIAL 1		FINISH SEE TABLE		SIZE 114-13251 WEIGHT ~5.21g	CUSTOMER DRAWING A100779C=2102446
4805 (3/11)		SCALE 8:1		SHEET 1 OF 1 REV D	