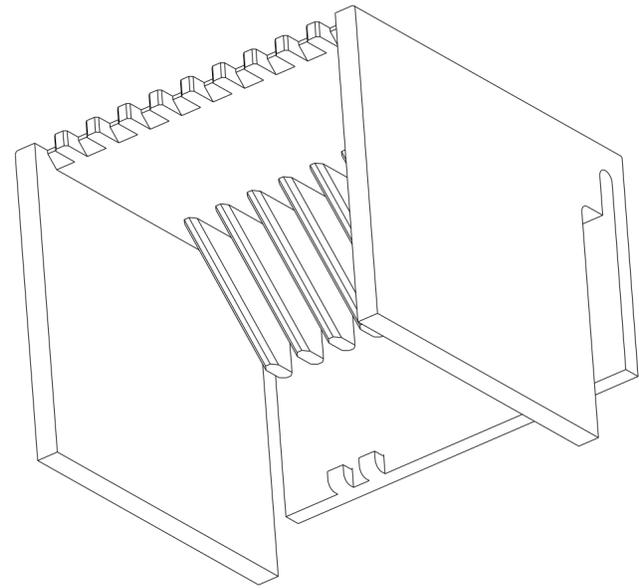
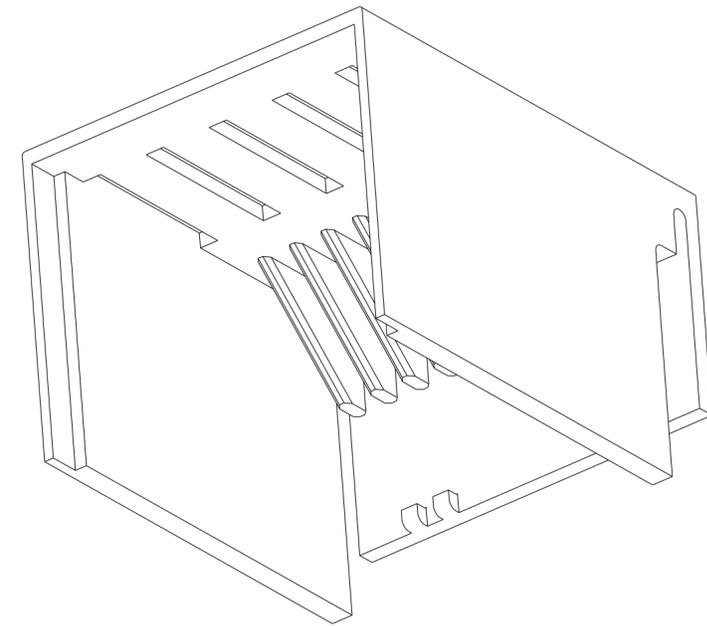


PART NUMBER (NOTE 3)	CONNECTOR GENDER	NUMBER OF IMLAS	DIM A	DIM C
10058685-001LF	R/A HEADER	6	13.60	18.00
10058685-002LF	R/A HEADER	8	17.60	18.00
10058685-003LF	R/A HEADER	10	21.60	18.00
10058685-004LF	R/A RECEPT.	6	13.60	23.45
10058685-005LF	R/A RECEPT.	8	17.60	23.45
10058685-006LF	R/A RECEPT.	10	21.60	23.45



10058685-003LF SHOWN
SCALE 4:1



10058685-006LF SHOWN
SCALE 4:1

NOTES:

- MATERIAL: THERMOPLASTIC RESIN
COLOR : BLACK,
UL94V-0 COMPLIANT,
MAXIMUM OPERATING TEMPERATURE
IS 105°C.
- THIS PRODUCT IS NOT INTENDED TO BE EXPOSED
TO A MANUFACTURING SOLDER PROCESS.
- THIS PRODUCT MEETS EUROPEAN UNION DIRECTIVES
AND OTHER COUNTRY REGULATIONS AS DESCRIBED
IN GS-22-008.
- PACKAGING MEETS GS-14-920 LEAD FREE
LABELLING SPECIFICATION.

CONFIDENTIAL



title	AirMax COVER	dwg no	10058685	Rev.	B
	R/A HDR & RECPT - 5pr, 2mm				
catalog no		CUSTOMER	sheet 2 of 2		

PDM: Rev:B

STATUS:Released 8 Printed: Dec 01, 2010

Copyright FCJ. FCJ