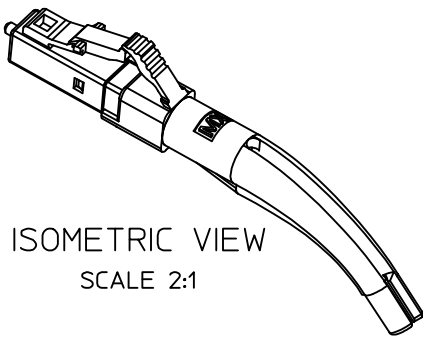
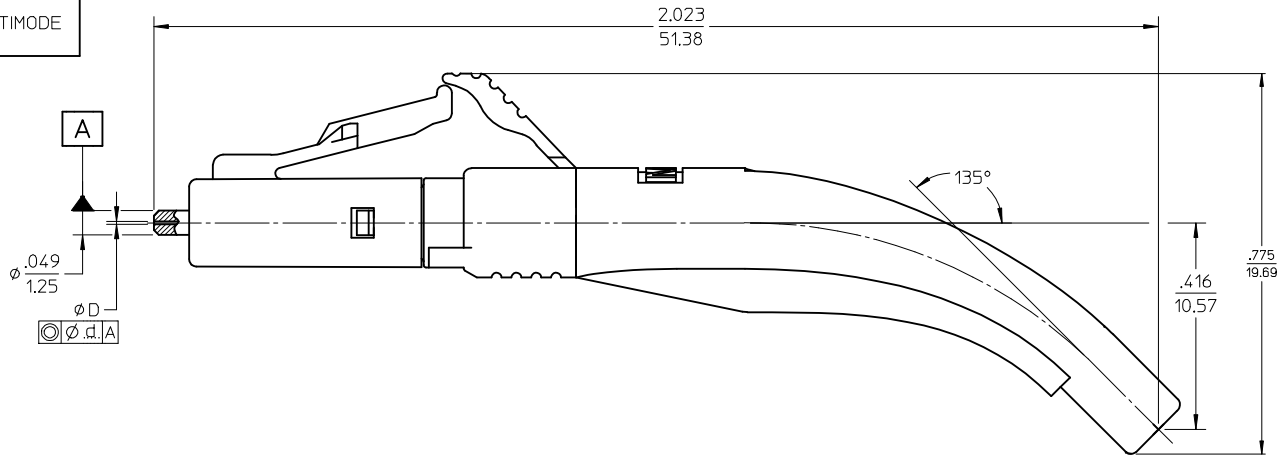
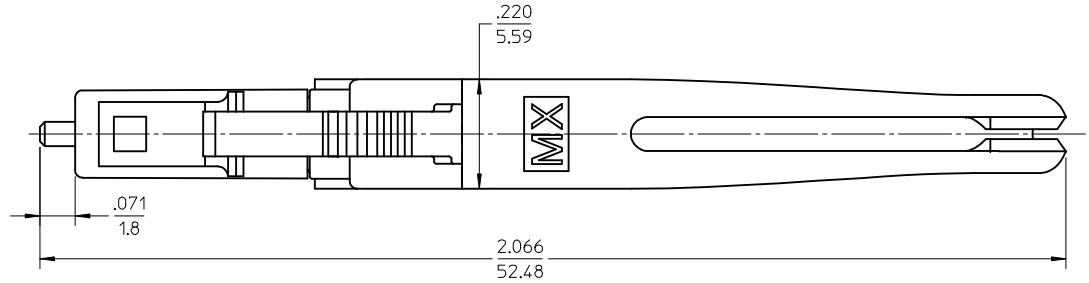
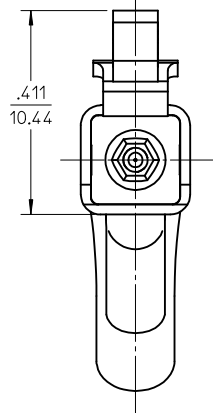


CONNECTOR P/N	ØD (µm)	Ød (µm)	CONN. BODY COLOR	BOOT COLOR	CABLE Ø (mm)	CABLE TYPE			
106024-7110	125 ^{+0.5} / ₀	0.5	BLUE	WHITE	1.6	SINGLE MODE			
106024-7115					1.6 ZIPCORD & 2				
106024-7120	125.25 ^{+0.5} / ₀	1.6			1.6 ZIPCORD & 2				
106024-7125		1.6 ZIPCORD & 2							
106024-7130	125.5 ^{+0.5} / ₀	1.6			1.6 ZIPCORD & 2				
106024-7135		1.6 ZIPCORD & 2							
106024-7140	126 ⁺¹ / ₀	1			BEIGE		MULTIMODE	1.6	MULTIMODE
106024-7145								1.6 ZIPCORD & 2	
106024-7150	125 ^{+0.5} / ₀	1.6						1.6 ZIPCORD & 2	
106024-7155		1.6 ZIPCORD & 2							
106024-7160	125.25 ^{+0.5} / ₀	1.6	1.6 ZIPCORD & 2						
106024-7165		1.6 ZIPCORD & 2							
106024-7170	125.5 ^{+0.5} / ₀	1.6	1.6 ZIPCORD & 2						
106024-7175		1.6 ZIPCORD & 2							
106024-7180	127 ⁺³ / ₀	3	1.6	1.6 ZIPCORD & 2					
106024-7185			1.6 ZIPCORD & 2						



ISOMETRIC VIEW
SCALE 2:1



NOTES:
1. ALL DIMENSIONS ARE FOR REFERENCE ONLY.
2. DUST CAP IS NOT SHOWN.

ENTER DESCRIPTION EC NO: MF2013-0244 DRW:MKPEVZNER 2012/10/29 CHKD: APPR: LGUMIN 2012/10/31 B1	QUALITY SYMBOLS ▽=0 ▽=0	GENERAL TOLERANCES (UNLESS SPECIFIED) mm INCH 4 PLACES ± --- ± --- 3 PLACES ± --- ± --- 2 PLACES ± --- ± --- 1 PLACE ± --- ± --- 0 PLACE ± ±	DIMENSION STYLE IN/MM DRAWN BY PGIBLIN DATE 2005/09/06 CHECKED BY DATE APPROVED BY DATE	SCALE 4:1 DESIGN UNITS INCH THIRD ANGLE PROJECTION
	ANGULAR ±1/2° DRAFT WHERE APPLICABLE MUST REMAIN WITHIN DIMENSIONS		MATERIAL NO. SEE TABLE SIZE B	DOCUMENT NO. SD-106024-71XX SHEET NO. 1 OF 1
	THIS DRAWING CONTAINS INFORMATION THAT IS PROPRIETARY TO MOLEX INCORPORATED AND SHOULD NOT BE USED WITHOUT WRITTEN PERMISSION			
	molex			