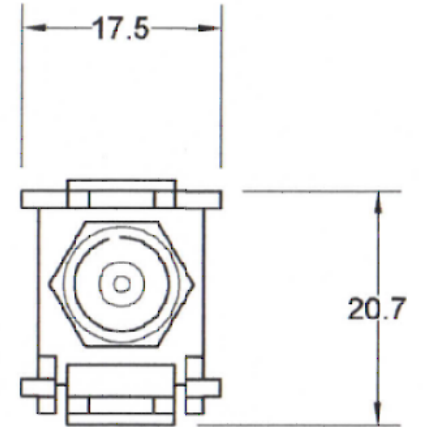
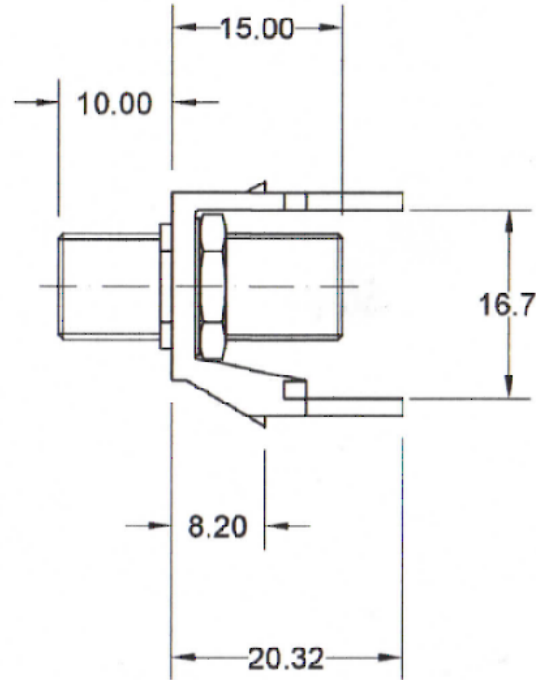
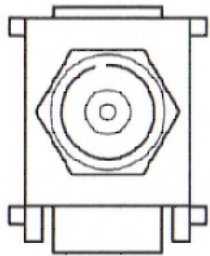


SW2014



Revision level			Revision Record	Changed	Date	Approved	Date
Drawing	State	Part					
.			SEE ECN# 013162	SNH	6/19/2015	KAC	6/19/2015



Material  
ABS 94V-0, BRASS AND  
NICKEL FINISH

Units: **millimeters**  
Dimension without  
tolerances details to:  
.xxx = ±.013  
.xx = ±.13  
.x = ±.3  
None = ±.8  
∠ = ±0.5°  
Dimension Formatted mm/[in]

The copyright of this  
drawing is reserved by  
HellermannTyton. It is  
issued on condition that it is  
not reproduced, copied, or  
disclosed to a third party,  
either wholly or in part,  
without the consent of  
HellermannTyton.

Drawn	SNH	6/19/2015
Approved	KAC	6/19/2015
<b>HellermannTyton</b>		
North America Email: <a href="mailto:corp@htamericas.com">corp@htamericas.com</a> Web: <a href="http://www.hellermann.tyton.com">www.hellermann.tyton.com</a>		

Article/Type-No	FINSERT	Scale	1:1
Title	<b>F CONNECTOR MODULE</b>	Project Number	PRP
Drawing-No	: Phase	Format	AH
		Sheet	1/1