

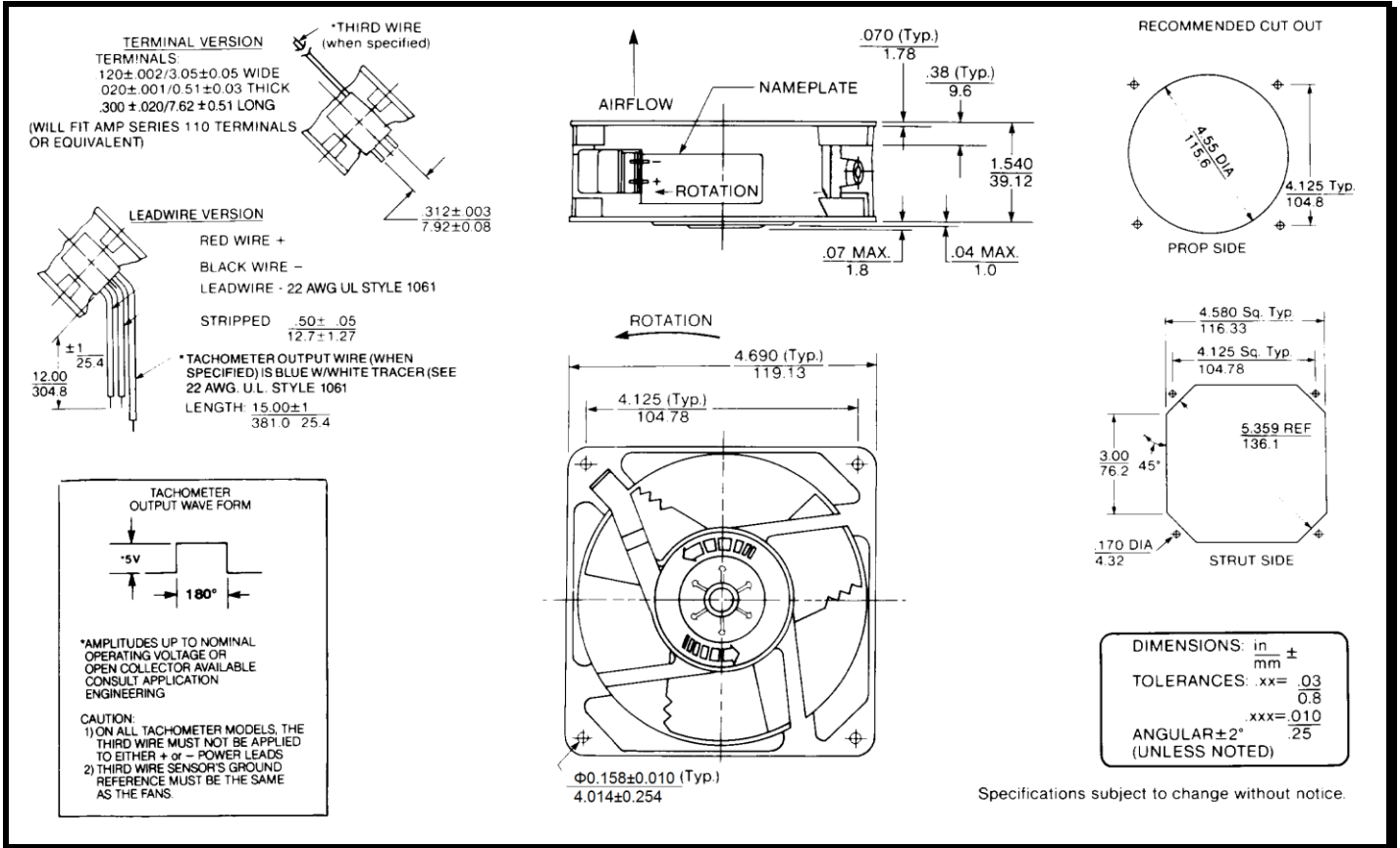
# SPECIFICATIONS



**Model Number:** MDD48B1-E3  
**Part Number:** 17001212A

**Version:** 01  
**Jun 13, 2018**

## Mechanical Drawing:



### Motor:

Nominal Voltage = 48 vdc  
 Operating Voltage Range = 36 - 60vdc  
 Nominal Running Current = 0.12 amps  
 Locked Rotor Current = 0.50 amps  
 Running Power = 5.8 watts  
 Average Speed = 3100 rpm  
 Bearings = Ball  
 Air Flow = 106 CFM  
 Acoustic = 50 dBA

### Construction:

Venturi: Die-Cast Aluminum, Black  
 Propeller: Plastic, Black, UL 94V-0

### Life Expectancy:

This fan is designed for continuous duty life of 55,000 hours at 70°C.

### Additional Features:

Brushless DC Motor  
 Electronic Locked Rotor Protection  
 Automatic Restart Capability  
 Polarity Protected  
 Operating Temperature -10°C to 70°C  
 Storage Temperature -40°C to 85°C  
 Environmental Protection: Type 3(IP68)

### Termination:

12" Lead wires, AWG 22, UL 1061  
 Red - Fan Power (+)  
 Black - Fan Ground (-)

### Agency Approvals:

UL, CUL, CE

**PQ Curve:**

