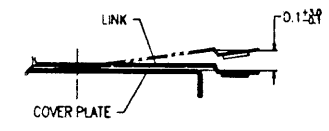
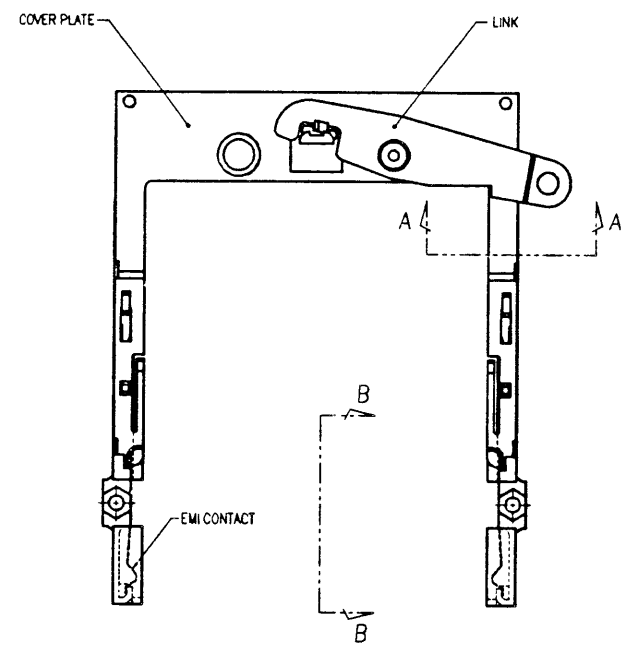


PRODUCT NO.
92768-021

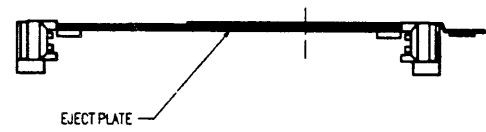
REVISIONS			
REV	DESCRIPTION	ECN	BY DATE
A	RELEASED	J300699	N.T. 4/17/83



VIEW "A" - "A"



VIEW "B" - "B"



NOTE

1 THIS GUIDE ASSY SHOULD BE FOR THE SINGLE OR UPPER DECK OF DOUBLE HDR (NON-PUSH ROD).

注意

1 本 GUIDE ASSY は NON-PUSH ROD タイプのシシクル用又はダブルヘッダーの UPPER DECK 用に使用のこと。

SHEET INDEX	ISSUE SH. NO.	MAT	DR	DATE	CUSTOMER COPY
		II	<i>M. Fukuro</i>	4/28/80	
			<i>K. Takai</i>	4/28/80	
		II	<i>M. Nagano</i>	4/17/80	
			<i>M. Kinoshita</i>	4/17/80	

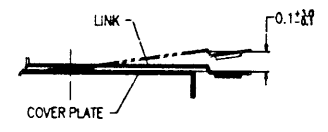
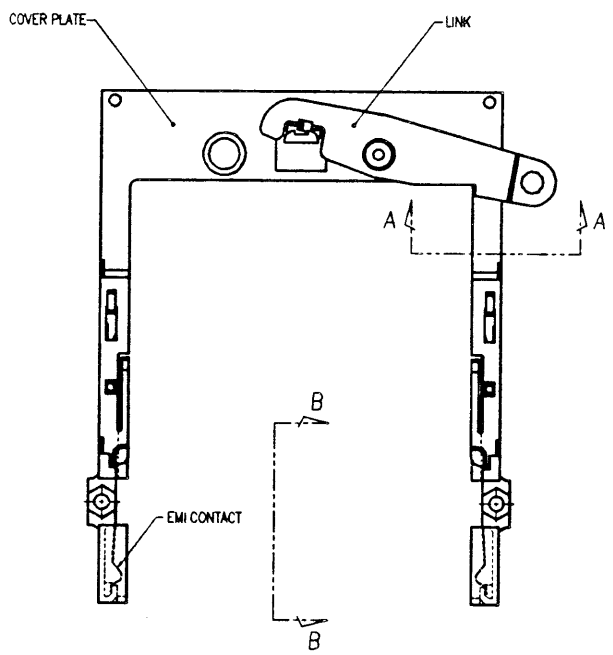
DuPont Electronics

68P EJECTOR HEADER TYPE 1 / 1 / 1
MECHANISM ASSY (NON-PUSH ROD)

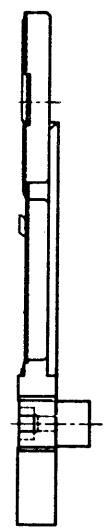
SCALE: 2/1 SIZE: C DWG. NO.: 92768 REV: A SHEET: 2 of 2

PRODUCT NO.
92768-051

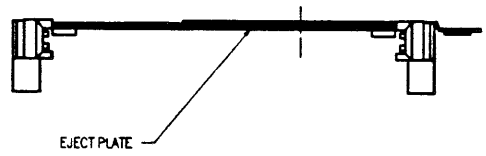
REVISIONS				
REV	DESCRIPTION	ECN	BY	DATE
A	RELEASED	J30099	N.T.	4/1/93



VIEW "A"-"A"



VIEW "B"-"B"



NOTE

1 THIS GUIDE ASSY SHOULD BE FOR THE SINGLE OR UPPER DECK OF DOUBLE HDR (NON-PUSH ROD).

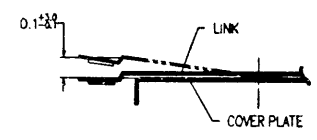
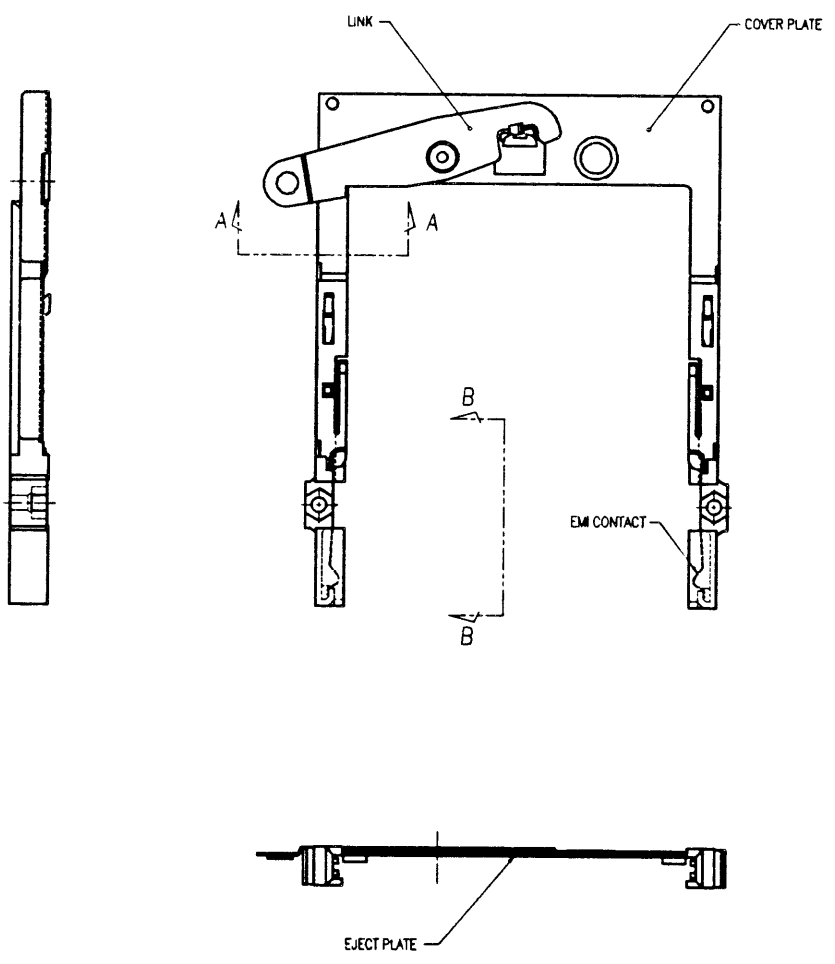
注意

1 本 GUIDE ASSY は NON-PUSH ROD タイプのシングル用又はダブルヘッダーの UPPER DECK 用に使用すること。

SHEET INDEX	ISSUE	SH. NO.											DuPont Electronics 			
TOLERANCES UNLESS OTHERWISE SPECIFIED			MAT	DR	DATE	CUSTOMER COPY	TITLE					SCALE	SIZE	DWG. NO.	REV	SHEET
			FINISH	ENGR	1/24/90	1/1	58P EJECTOR HEADER TYPE 1 / # / # MECHANISM ASSY (NON-PUSH ROD)					2/1	C	92768	A	3of
LINEAR				CHK	1/24/90	1/1	ISSUABLE FROM					UNIT	MM			
ANGLES				APPR	4/1/90	05/90						UNIT	MM			

PRODUCT NO.
92768-101

REVISIONS				
REV	DESCRIPTION	ECN	BY	DATE
A	RELEASED	J30099	N.T.	4/17/83



VIEW "A" - "A"



VIEW "B" - "B"

NOTE

1 THIS GUIDE ASSY SHOULD BE FOR THE SINGLE OR UPPER DECK OF DOUBLE HDR (NON-PUSH ROD).

注意

1 本 GUIDE ASSY は NON-PUSH ROD タイプのシングル用又はダブルヘッダーの UPPER DECK 用に使われること。

SHEET INDEX	ISSUE		DATE		CUSTOMER COPY
	SH NO.				
TOLERANCES UNLESS OTHERWISE SPECIFIED		MAY	DR	M. Shikawa	3/28/80
		FINISH	ENGR	N. Takai	3/28/80
			CHK	M. Nagano	4/17/80
			APP	J. M. ...	4/17/80

DuPont Electronics

TITLE: 68P EJECTOR HEADER TYPE 1 / 1 / III
MECHANISM ASSY (NON-PUSH ROD)

SCALE: 2/1 C DIMS: 92768 REV: A SHEET: 4 of 4