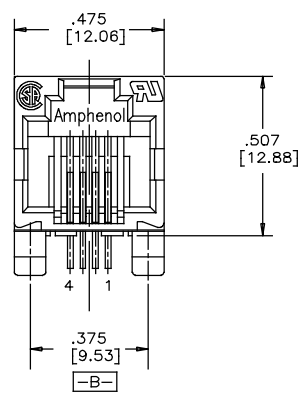
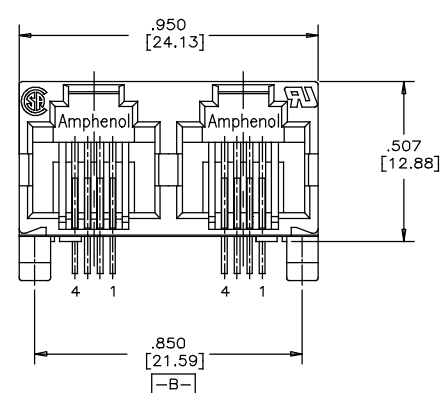


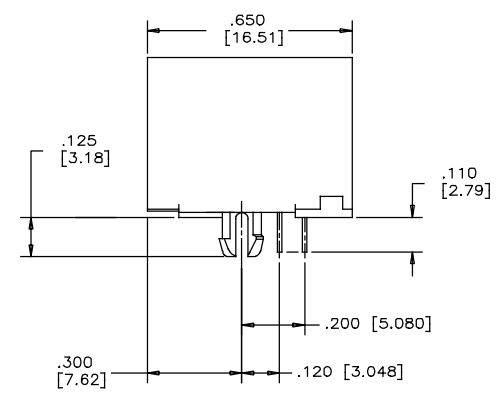
REVISIONS			
REV	DESCRIPTION, ECN, EAR NO.	DATE	APP'D
A	PROPOSAL	2005/03/31	L.Chan
B	PROPOSAL	JUN 26,08	L.Chan
C	ADD GENERAL TOLERANCE	JUN 16,15	L.Chan



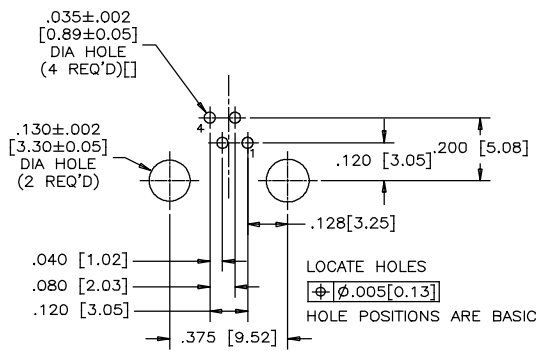
FRONT VIEW



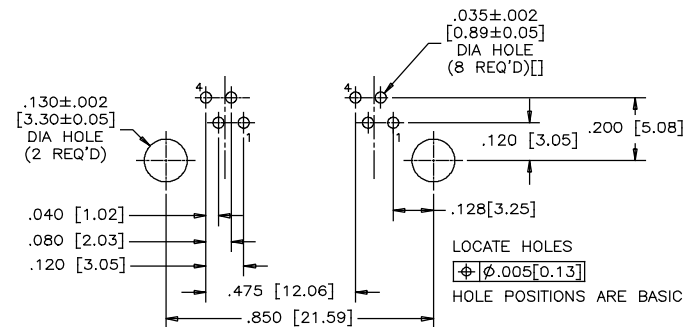
FRONT VIEW



SIDE VIEW



RECOMMENDED P.C.B. LAYOUT
(COMPONENT SIDE OF BOARD)
RJE01-64001
RJE01-64001B



RECOMMENDED P.C.B. LAYOUT
(COMPONENT SIDE OF BOARD)
RJE01-64002
RJE01-64002B



MATERIALS:

ALL MATERIALS ARE RoHS COMPLIANT
 PLASTIC HOUSING: HIGH TEMPERATURE THERMOPLASTIC
 UL FLAMMABILITY RATING 94V-0.
 CONTACTS: PHOSPHOR BRONZE
 CONTACT PLATING: 50 MICROINCHES [1.27 MICRONS] MINIMUM NICKEL.
 50 MICROINCHES [1.27 MICRONS] MINIMUM GOLD ON MATING SURFACES.
 100 MICROINCHES [2.54 MICRONS] MATTE TIN ON CONTACT TAILS.
 TUBE: EXTRUDED PVC, ANTI-STATIC, TRANSPARENT.

AMPHENOL PART NUMBER: R J E O 1 - 6 4 0 - 0 X X

1 = 1 PORTS
2 = 2 PORTS

BLANK = STANDARD PACKING (CURRENTLY TUBES)
B = TUBE PACKING REQUIRED

ELECTRICAL

- VOLTAGE RATING: 125 VAC RMS MAX.
- CURRENT RATING: 1.5 AMPS MAX.
- CONTACT RESISTANCE: 30 MILLIOHMS MAX.
- INSULATION RESISTANCE: 500 MEGAOHMS MIN.
- DWV: 1000VAC RMS 60 HZ , 1 MIN.

MECHANICAL

- MATING DURABILITY: 500 CYCLES MIN.
- PCB THICKNESS: .062" [1.6 MM]
- PCB RETENTION PRE-SOLDER: 1.0 LB [4.448 N] MIN.
- PCB RETENTION POST-SOLDER: 10.0 LB [44.48 N] MIN.

ENVIRONMENTAL

- STORAGE: -25 °C TO 80°C
- OPERATION: 0°C TO 70°C

REGULATORY

- MUST MEET FCC PART 68 REQUIREMENTS

UNLESS SPECIFIED OTHERWISE	DRAWN PAUL WANG	DATE 05/03/31
PRIMARY UNITS INCH	CHECKED L.Chan	DATE JUN 26,08
SECONDARY MILLIMETER	M.E. APP'D MT Chan	DATE JUN 26,08
REFERENCE IN PARENTHESES	Q.A. APP'D	
GENERAL TOLERANCES	DWG APPR.	
1 DECIMAL PLACE ±0.025	ENG. REL. NO.	
2 DECIMAL PLACES ±0.020	REF. EAR# 12710	
3 DECIMAL PLACES ±0.015	THIRD ANGLE PROJECTION	DO NOT SCALE DRAWING
ANGULAR DEGREES ±1.0°		

Amphenol Canada Corp. www.amphenolcanada.com	
TITLE	RJE01 SERIES HIGH SPEED MODULAR JACK, 1 & 2 PORT, 6 POSITIONS, 4 CONTACTS, WITHOUT SHIELD - RoHS COMPLIANT
DWG. NO.	P-RJE01-640-0XX
CODE ID NO.	03554 DWG SIZE: C SCALE: N/A SHEET 1 OF 1