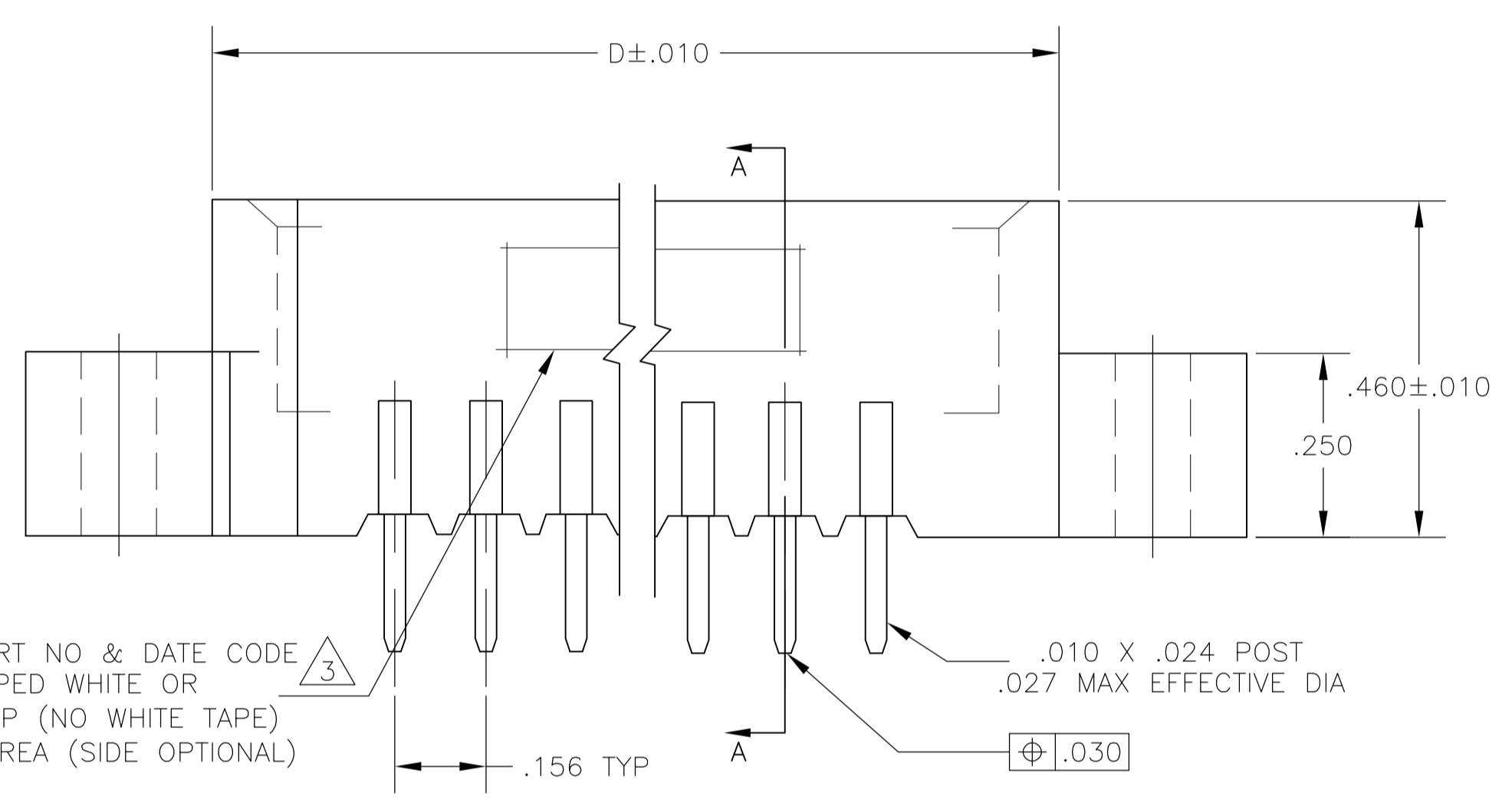
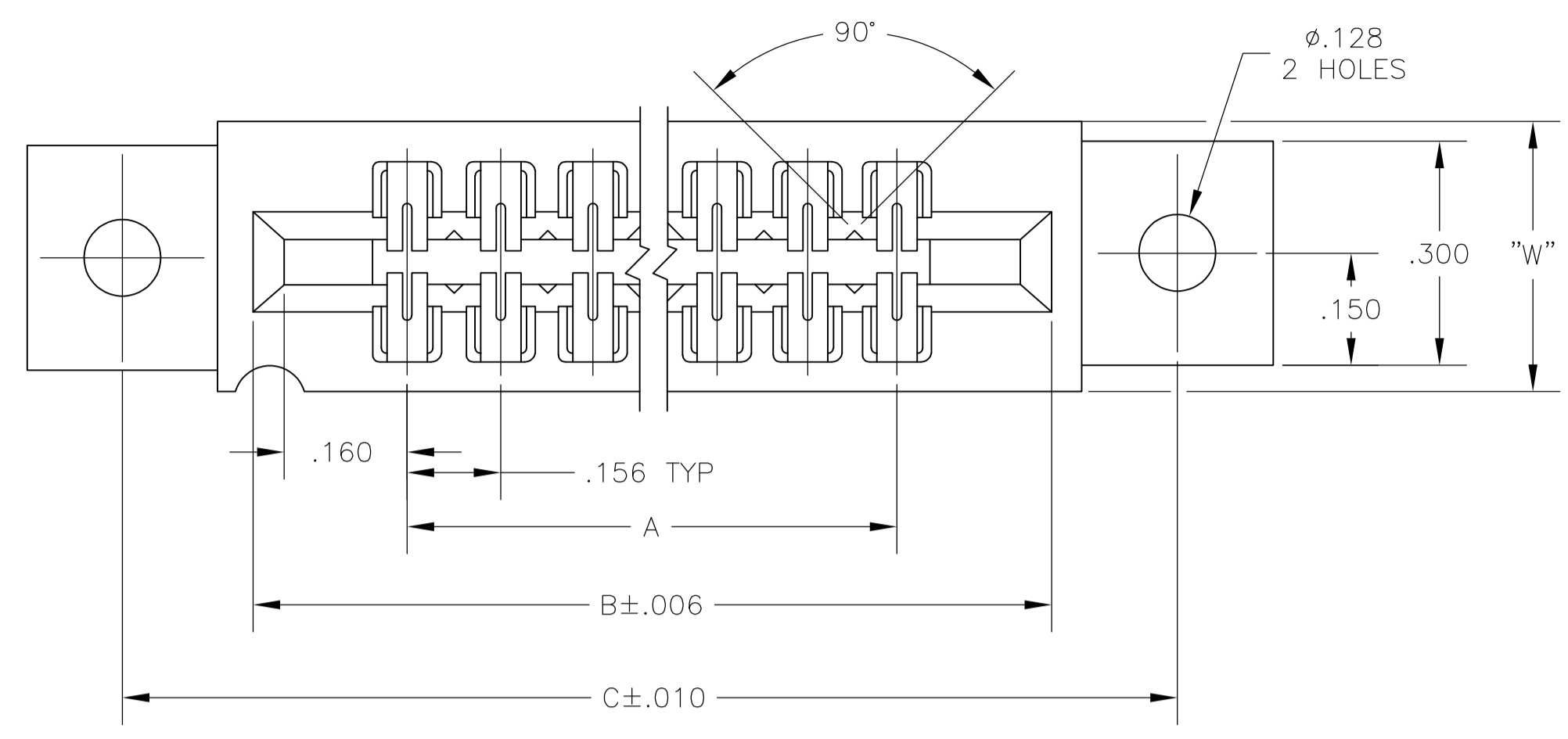
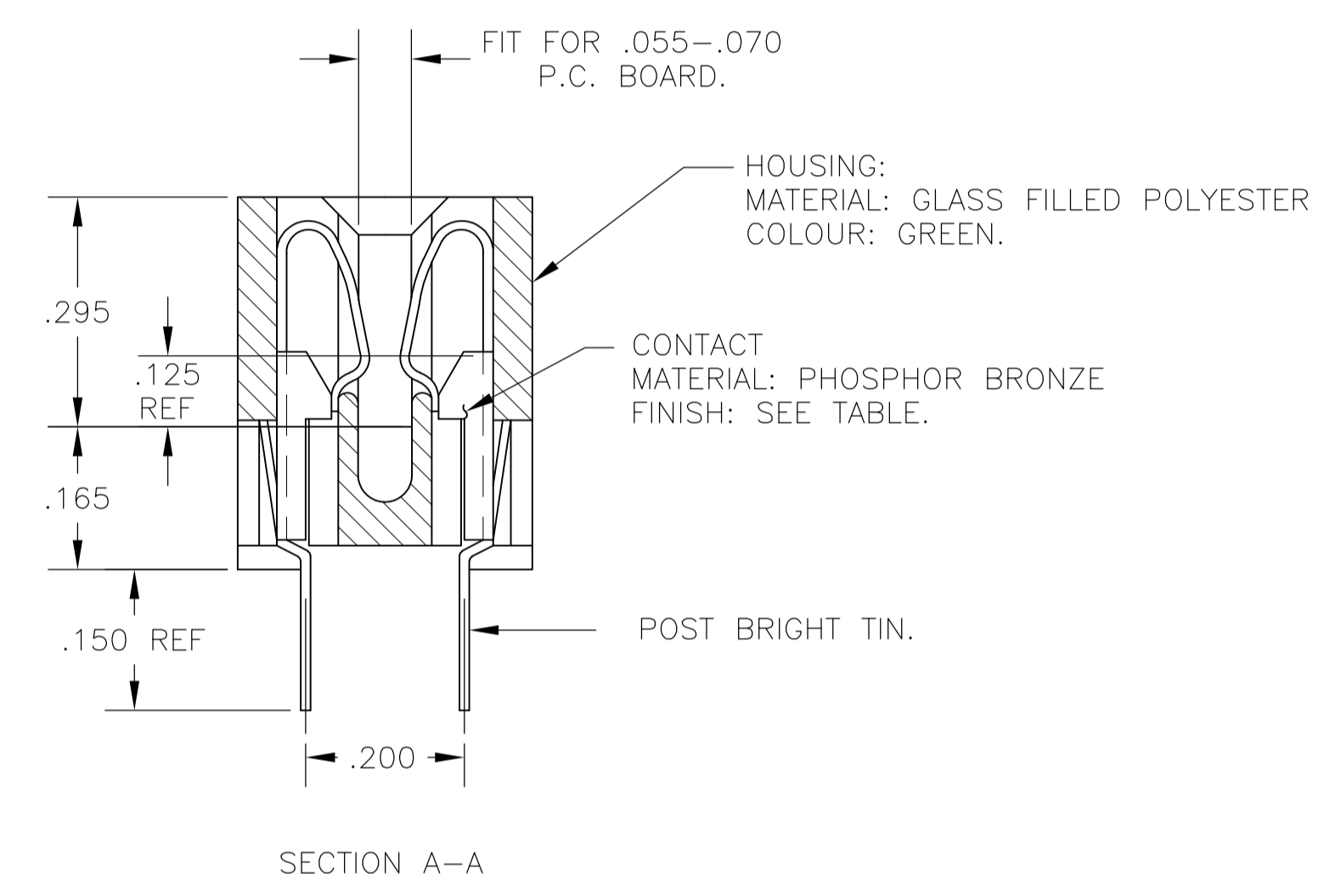


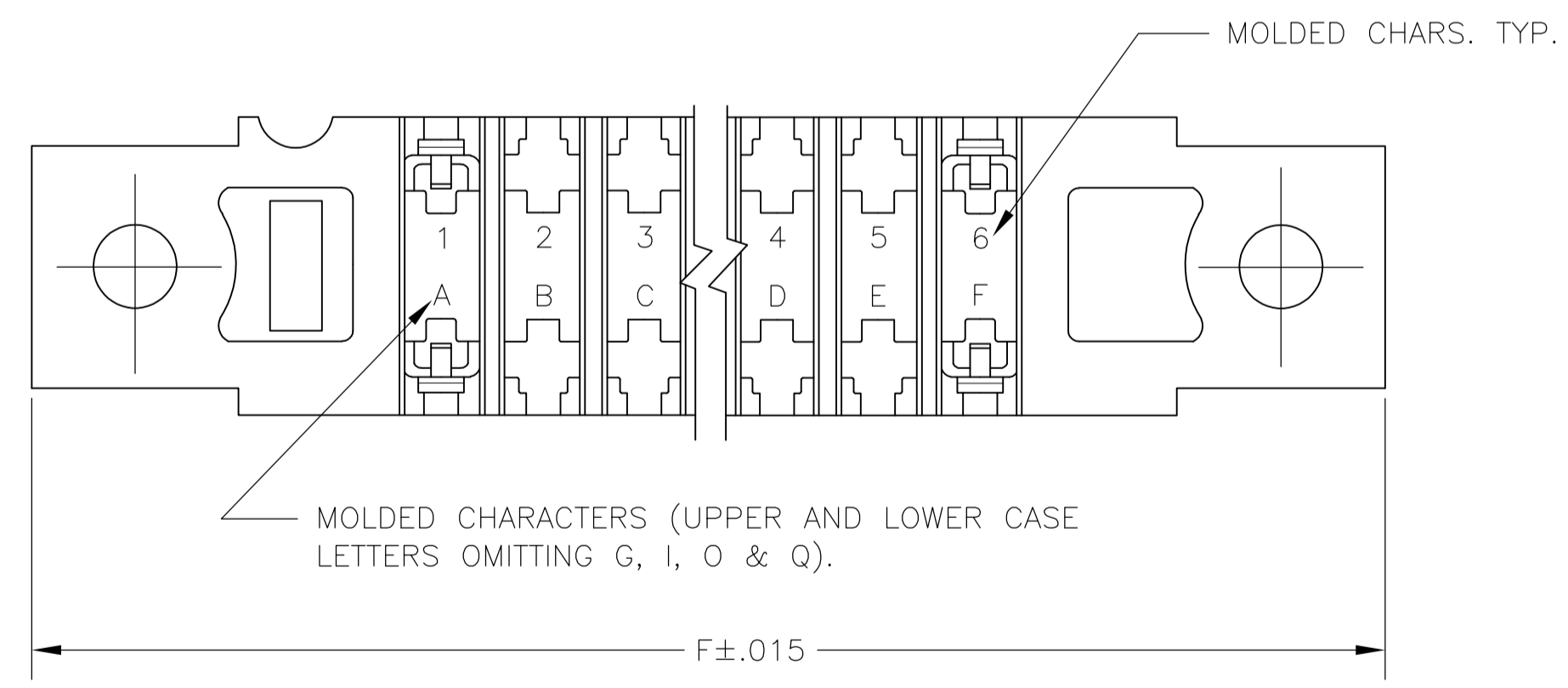
LOC		DIST		REVISIONS			
AD	00	REV	PER	DESCRIPTION	DATE	BY	APPV
L		ECO-07-012860			24JUL2007	RB	MM
L1		REV PER ECO-09-021510			11AUG09	KK	AEG



"AMP" PART NO & DATE CODE INK STAMPED WHITE OR HOT STAMP (NO WHITE TAPE) IN THIS AREA (SIDE OPTIONAL)



- 1 .000015 MIN GOLD OVER .000050 MIN. NICKEL IN CONTACT AREA.
- 2 .000030 MIN GOLD OVER .000050 MIN. NICKEL IN CONTACT AREA.
- 3 ALL PARTS ASSEMBLED IN MEXICO MUST BE STAMPED " ASSY IN MEXICO " THE WORD " MEXICO " CAN BE SUBSTITUTED ONLY WHERE PART SIZE PROHIBITS STAMPING " ASSY IN MEXICO ", INK STAMP COLOR WHITE OR HOT STAMP (NO WHITE TAPE) 115-9009, APPROX WHERE SHOWN SIDE OPTIONAL.
- 4 MATTE TIN PLATED CONTACT TAILS.
- 5 OBSOLETE PARTS: OBSOLETE CIS STREAMLINING PER D.RENAUD/D.SINISI



4	.437	5	8-530689-0	36	5.460	5.780	6.215	5.920	6.465	-
4	.437	5	7-530689-9	30	4.524	4.844	5.279	4.984	5.529	-
4	.370	7	530689-6	22	3.276	3.596	4.031	3.736	4.281	-
4	.370	5	7-530689-4	15	2.184	2.504	2.939	2.644	3.189	-
4	.370	5	7-530689-1	6	.780	1.100	1.535	1.240	1.785	-
	.437	3	530689-3	43	6.552	6.872	7.307	7.012	7.557	1-530689-3
	.370	3	530689-2	28	4.212	4.532	4.967	4.672	5.217	1-530689-2
	.437	3	530689-1	44	6.708	7.028	7.463	7.168	7.713	1-530689-1
	.437	3	530689-0	36	5.460	5.780	6.215	5.920	6.465	1-530689-0
	.437	5	2-530689-9	30	4.524	4.844	5.279	4.984	5.529	530689-9
	.370	2	530689-8	25	3.744	4.064	4.499	4.204	4.749	530689-8
	.370	2	530689-7	24	3.588	3.908	4.343	4.048	4.593	530689-7
	.370	2	530689-6	22	3.276	3.596	4.031	3.736	4.281	530689-6
	.370	2	530689-5	18	2.652	2.972	3.407	3.112	3.657	530689-5
	.370	5	2-530689-4	15	2.184	2.504	2.939	2.644	3.189	530689-4
	.370	2	530689-3	12	1.716	2.036	2.471	2.176	2.721	530689-3
	.370	2	530689-2	10	1.404	1.724	2.159	1.864	2.409	530689-2
	.370	2	530689-1	6	.780	1.100	1.535	1.240	1.785	530689-1
W	2	PART NO	NO.OF. POSITION	A	B	C	D	E	1	PART NO

OBSOLETE

THIS DRAWING IS A CONTROLLED DOCUMENT.

TOLERANCES UNLESS OTHERWISE SPECIFIED:

0 PLC	± .005
1 PLC	± .005
2 PLC	± .005
3 PLC	± .005
4 PLC	± .005
ANGLES	± .005

MATERIAL: SEE CALL-OUT. FINISH: SEE CALL-OUT.

THIS DRAWING IS A CONTROLLED DOCUMENT. DIN 15SEP75. CHK 15SEP75. APVD 16SEP75. NAME: Tyco Electronics Corporation, Harrisburg, Pa 17105-3608. PRODUCT SPEC: HOUSING ASSY, LOW PROFILE, EDGE CONNECTOR, FLOW SOLDER, FOR .040 DIA. HOLE, .200 ROW, 156 CENTERS. APPLICATION SPEC: SIZE: A1. CAGE CODE: 00779. DRAWING NO: 530689. WEIGHT: -. RESTRICTED TO: CUSTOMER DRAWING. SCALE: 4:1. SHEET: 1 OF 1. REV: L1.