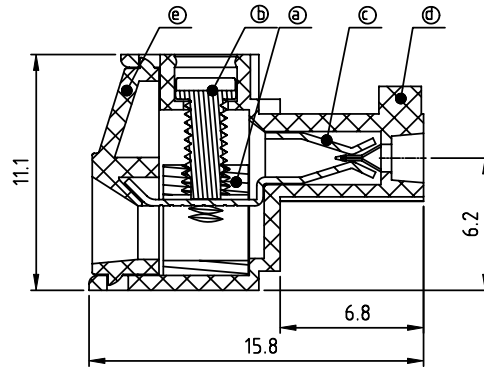
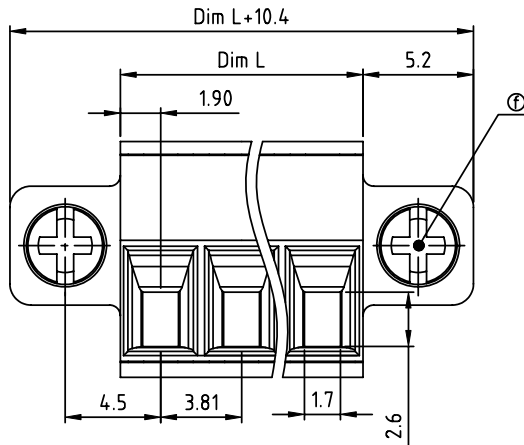
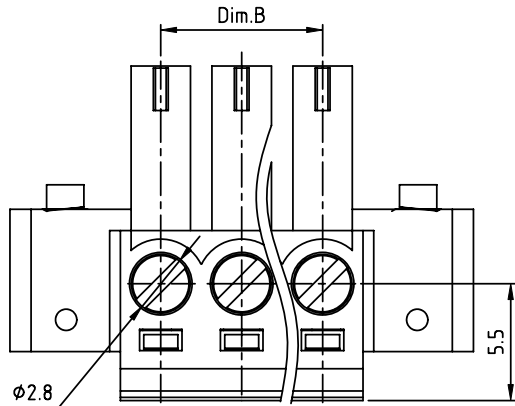


PRODUCT NUMBER	PITCH
TJxx31x200J0G	3.81 mm



Material

- Item ② Clamp: Brass(CuZn) Ni plated
- Item ③ Terminal screw: Steel Zinc plating "-" slot type
- Item ④ Female contact: PhBz, Tin plated
- Item ⑤ Terminal (housing): Thermoplastic (UL94V-0)
- Item ⑥ Terminal (cover): Thermoplastic (UL94V-0)
- Item ⑦ With flange screw: steel M2.5 Zinc plating "+/-" slot type

Electrical cULus/VDE

- Voltage rating: 300VAC/300VAC
- Current rating: 10A/10.5A
- Wire range: 1.5mm<sup>2</sup>
- Solid wire(AWG): 16-28
- Stranded wire(AWG): 16-28
- Torque: 3Lb-In/0.2Nm
- Screw: M2
- Wire strip length: 6-7mm
- Withstanding Voltage: 1.6KV/2.5KV
- Operating temperature: -40°C to +115°C
- Safety Approval:

Dim.L = N x 3.81  
 Dim.B = (N-1) x 3.81  
 N= number of poles

poles	2P-6P	7P-12P	13P-18P	19P-24P
Dim.L	±0.15	±0.20	±0.25	±0.30
Dim.B	±0.10	±0.15	±0.20	±0.25

PART NO.: TJ xx 31x 2 00J0 G

No. of poles	Color	RoHS compliant (lead<4%) In copper Alloy
02 2 poles	0 Black (RAL9005)	
03 3 poles	2 Red (RAL3001/D)	
...	3 Orange(RAL2011/P)	
...	4 Yellow(RAL1018/A)	
24 24 poles	5 Green(RAL6018/T)	
	6 Blue (RAL5015/A)	
	8 Grey(RAL7035/D)	
	9 White(RAL1102)	
	C Green(RAL6018/U)	

mat'l. code		surface ASME Y14.5	tolerance ASME Y14.5	projection	product family		
ltr ecn no dr date		tolerances unless otherwise specified			TERMINAL BLOCK		
		angles	X.±0.5	MM	title		
		±	X.X±0.3		TERMINAL BLOCK		
		X*±1*	X.XX±0.1	scale	PLUGGABLE PLUG, WITH FLANGE		
		dr	HANKE FENG 031414		dwg no	sheet 1 of 1	size
		enr	HANKE FENG 031414		TJxx31x200J0G	A4	
		chr	SHI JUN 031414		type	CUSTOMER Drawing	
		appd	SHI JUN 031414				
sheet index	revision sheet	A	1				