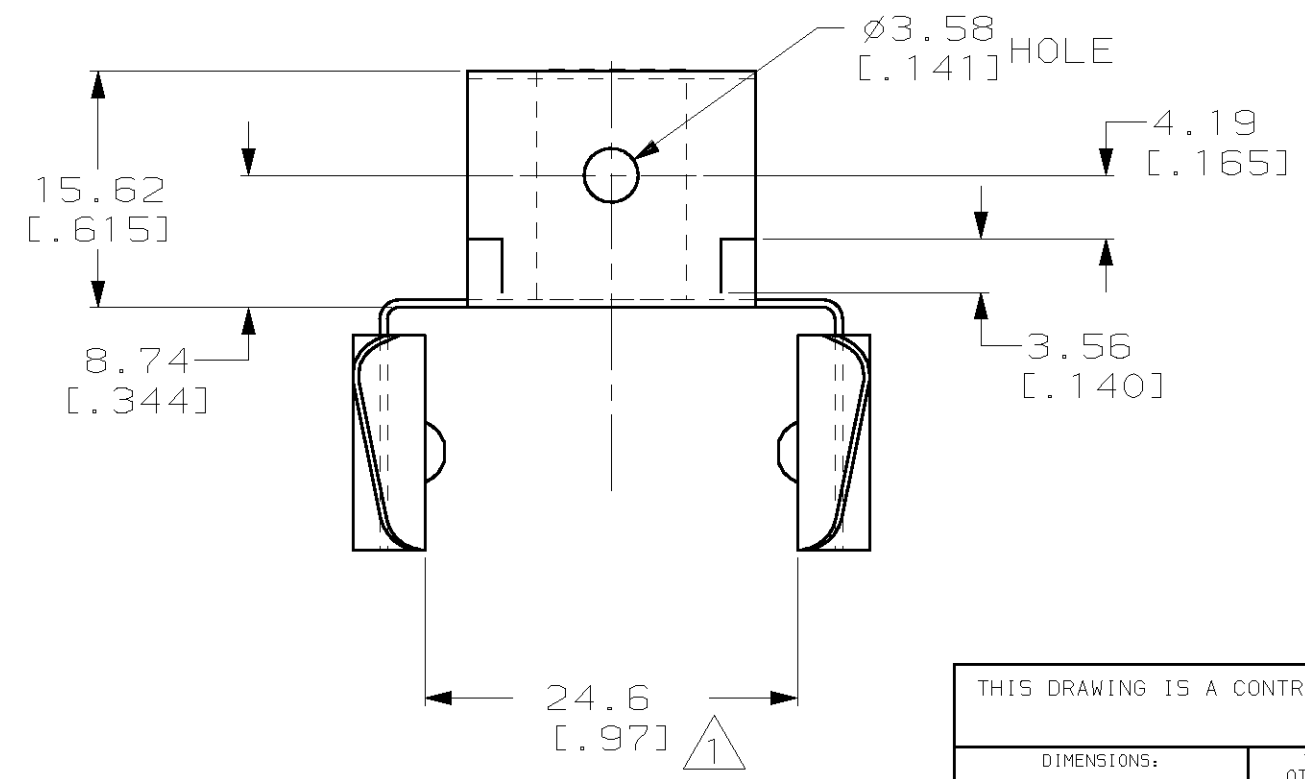
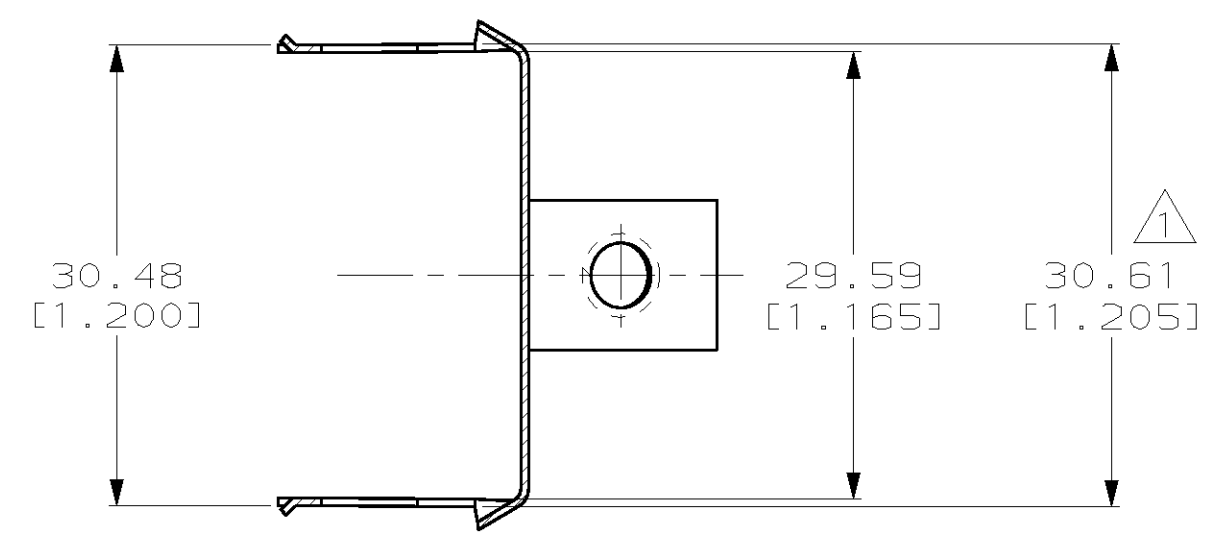
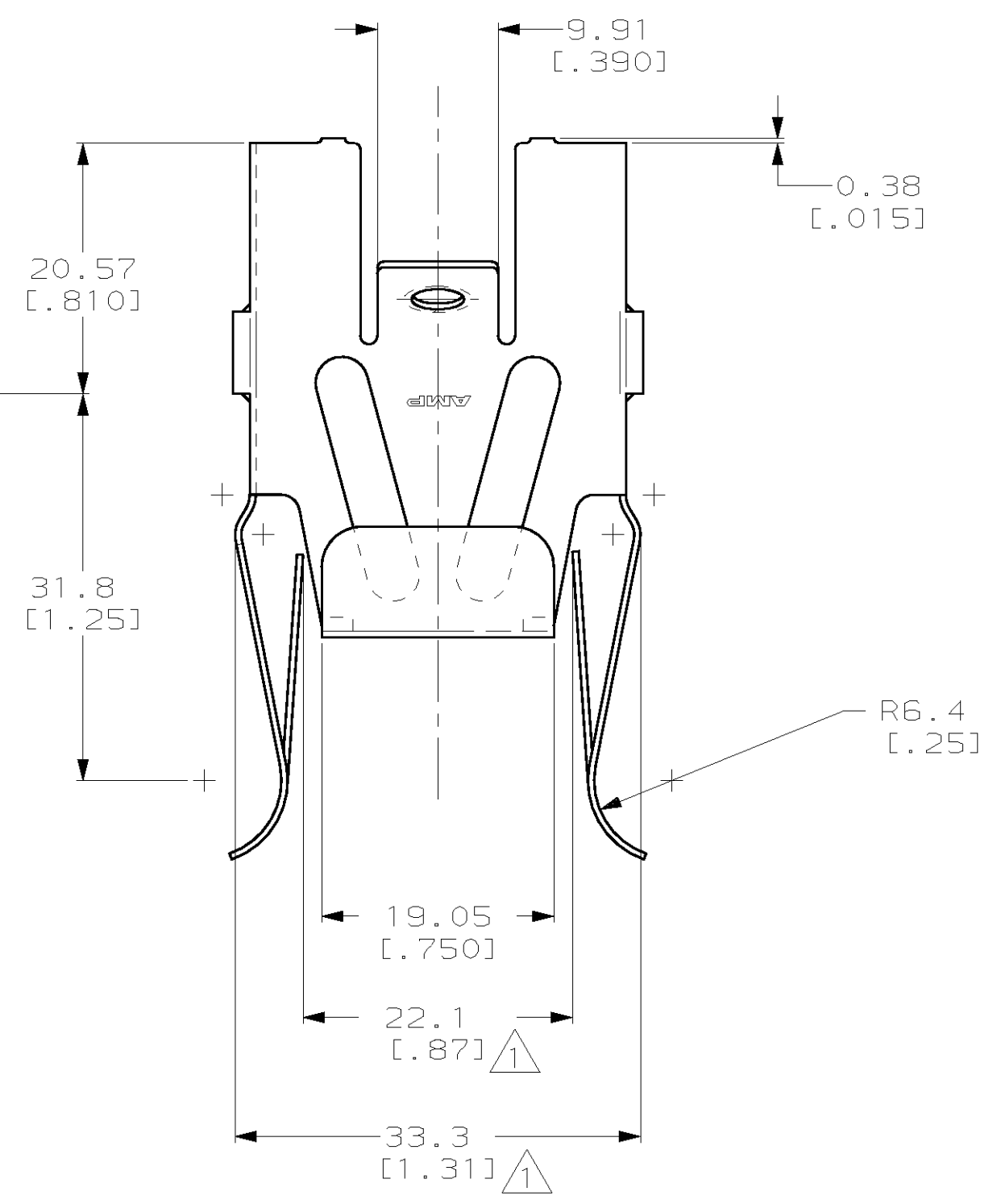
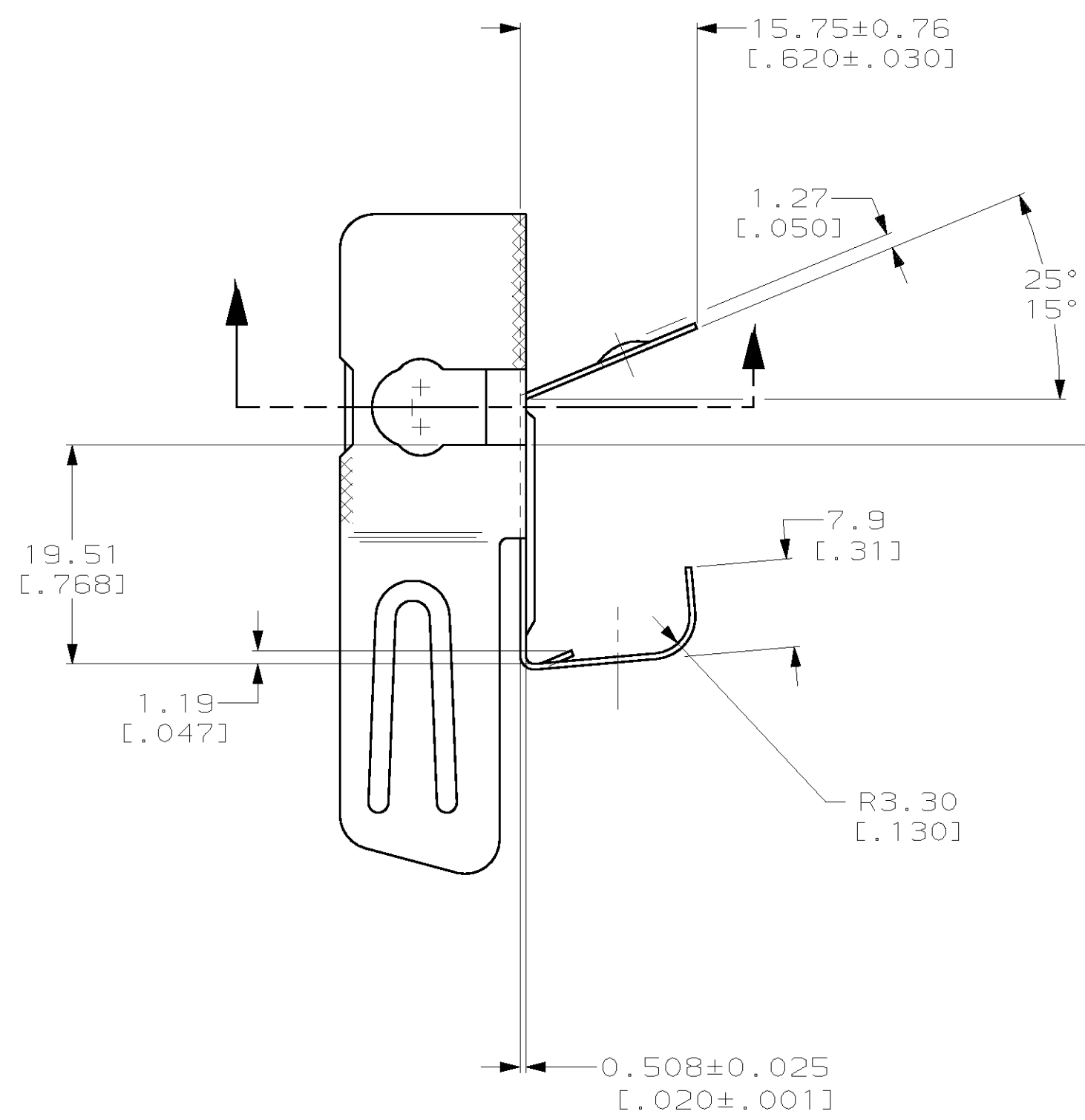


THIS DRAWING IS UNPUBLISHED. RELEASED FOR PUBLICATION
 BY AMP INCORPORATED. ALL RIGHTS RESERVED.

LOC		DIST		REVISIONS			
P	LTR	DESCRIPTION	DATE	DWN	APVD		
AF	50	REL PER 063A-0640-01	20NOV01	JR	DD		

- 1 DIMENSION TO BE CHECKED WHEN SIDES ARE PARRALLEL WITH [1.215] DIM.
- 2 10-32 MACHINE SCREW.



640751-1
PART NO.

THIS DRAWING IS A CONTROLLED DOCUMENT.		DWN 14FEB2001 MICHAEL S. FEHER	AMP AMP Incorporated Harrisburg, PA 17105-3608
DIMENSIONS: MM [INCHES]		CHK 14FEB2001 DONALD DECKER	
TOLERANCES UNLESS OTHERWISE SPECIFIED:		APVD 14FEB2001 DONALD DECKER	NAME CLIP, CONNECTOR, HEAVY DUTY BURNER
0 PLC ±-	1 PLC ±-	PRODUCT SPEC	SIZE CAGE CODE DRAWING NO RESTRICTED TO
2 PLC ±0.8 [.03]	3 PLC ±0.25 [.010]	APPLICATION SPEC	A2 00779 C- 640751
4 PLC ±-	ANGLES ±-	WEIGHT	SCALE 2:1 SHEET 1 OF 1 REV AF
MATERIAL 1/4HARD STAINLESS STEEL	FINISH -	CUSTOMER DRAWING	

640751